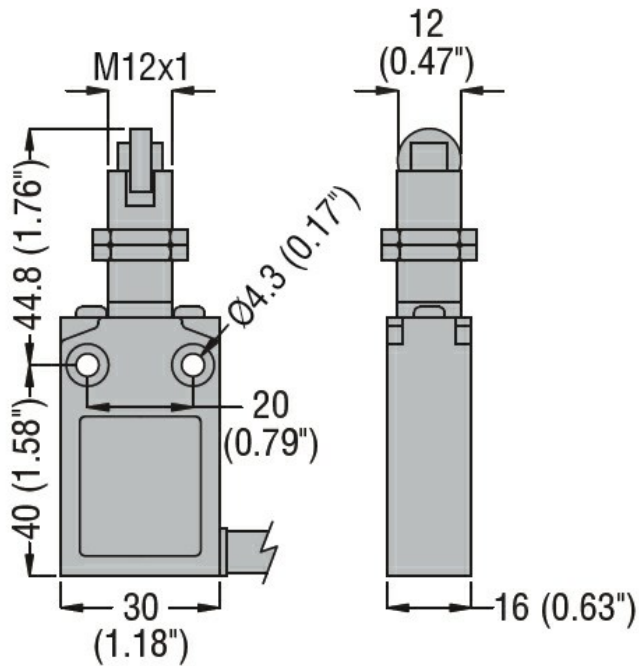


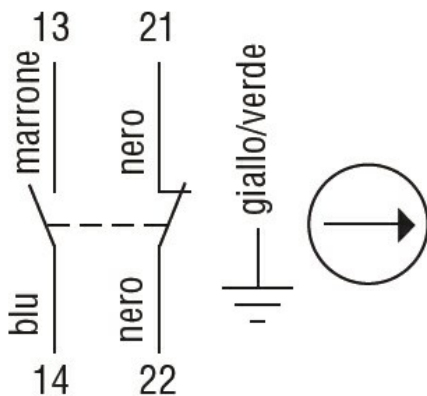


Product designation				M12 head top roller push plunger
Product type designation				KPB7
General characteristics				
Material		Housing	Aluminium-zinc alloy	
		Roller	Plastic	
Contact characteristics				
Type of contact			1NO+1NC Slow action	
Thermal current I _{th}		A	10	
IEC/EN 60947-5-1 designation			B300 R300	
Rated insulation voltage U _i		V	400	
Rated impulse withstand voltage U _{imp}		kV	4	
Insulation class			I	
IEC Conventional free air thermal current I _{th}		A	10	
Resistance per pole (average value)		mΩ	<25	
Conductivity			10mA 5V	
Mechanical features				
Operating head fixing			Fixed	
Operating torque		N	10	
		lb	2.2	
Tightening torque (Max)				
Switch fixing		Nm	2.5	
		lbin	22.1	
Weight		g	310	
Operations				
Mechanical life		cycles	>10000000	
Mechanical operation		cycles/h	3600	
Ambient conditions				
Temperature				
Operating temperature		min °C	-25	
		max °C	+70	
Storage temperature		min °C	-40	
		max °C	+70	
Resistance & Protection				
IP degree		Body housing	IP67	
Pollution degree			3	
Dimensions				



Wiring diagrams

Slow action



1NO + 1NC

Certifications and compliance

Compliance

CSA C22.2 n° 14.

IEC/EN 60947-1

IEC/EN 60947-5-1

UL508

Certificates

cULus

EAC

ETIM classification

ETIM 8.0

EC000030 - End
switch