



Product designation				Enclosed switch disconnecter
Product type designation				GAZS
Number of poles		Nr.		3
Operating voltage type				AC
<b>Contact characteristics</b>				
IEC Conventional free air thermal current I <sub>th</sub>		A		100
Rated insulation voltage U <sub>i</sub> IEC/EN		V		1000
Rated impulse withstand voltage U <sub>imp</sub>		kV		8
Operating current I <sub>e</sub>				
	AC21A			
		400V	A	100
		500V	A	100
		690V	A	100
	AC22A			
		400V	A	100
		500V	A	100
		690V	A	100
	AC23A			
		400V	A	100
		500V	A	80
		690V	A	47
Power dissipation per pole max			W	4
Rated operational power AC23A				
		400V	kW	55
		690V	kW	45
Conditional short-circuit current (rms)			kA	50
Short-circuit protection with fuse			Class/A	gG100
Making capacity AC23A 400V			A	1250
Breaking capacity AC23A 400V			A	1000
Mechanical life			cycles	30000
Electrical life AC21A			cycles	30000
<b>Mechanical features</b>				
Operating position		normal allowable		Vertical plan Any
Terminals				
		type		Pillar
		width	mm	12.4
		height	mm	10.4
		screw		M8
		tool		Metric Allen key 4
Tightening torque for terminals				
		min	Nm	5
		max	Nm	6

	min	lbin	45
	max	lbin	54

Conductor section

IEC min	mm <sup>2</sup>	4
IEC max	mm <sup>2</sup>	70
AWG/kcmil min		12
AWG/kcmil max		1

Ambient conditions

Operating temperature

min	°C	-25
max	°C	+55

Storage temperature

min	°C	-40
max	°C	+70

Max altitude

m	3000
---	------

Resistance & Protection

Frontal IP degree

IP65

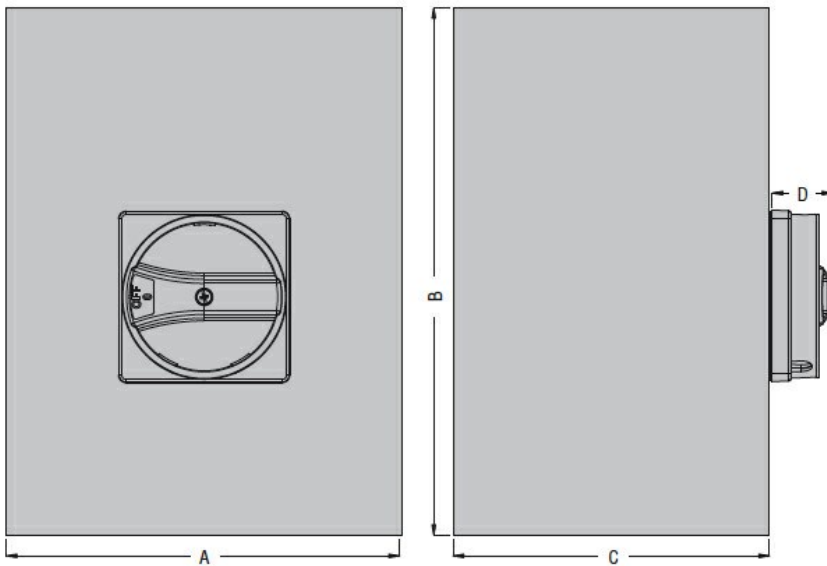
IP degree of protection

IP65

Pollution degree

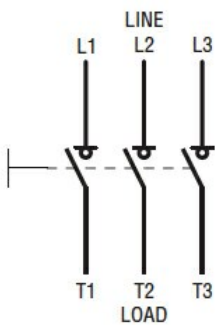
3

Dimensions



Type	A	B	C	D
GAZS016...GAZS100...	150 (5.90")	200 (7.87")	120 (4.72")	23 (0.90")

Wiring diagrams



Certifications and compliance

Compliance

IEC/EN 60947-1

IEC/EN 60947-3

ETIM classification

ETIM 8.0

EC000216 -  
Switch  
disconnecter