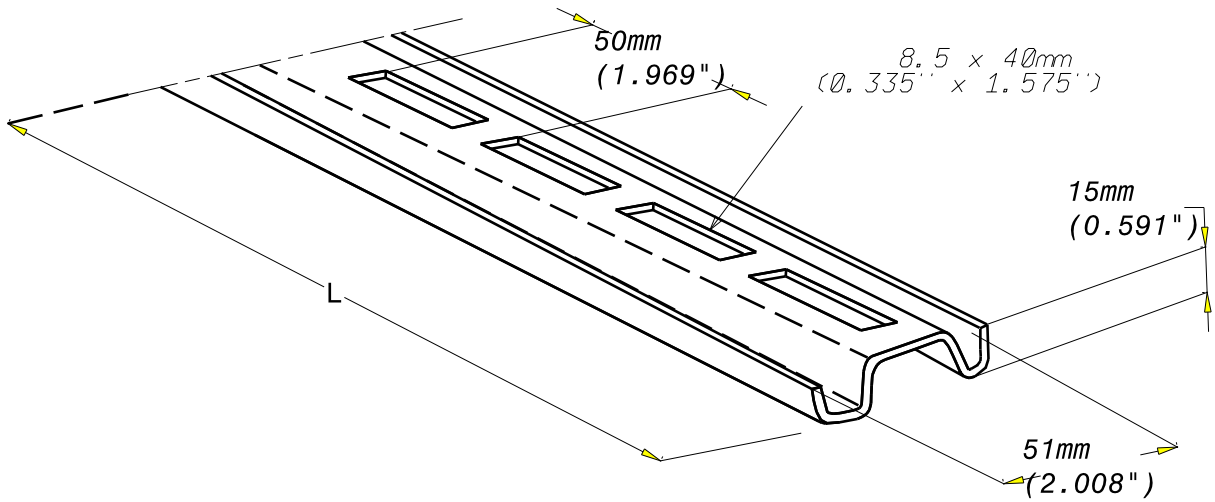


**RAIL CS**  
**CS CHANNEL**

**GS**  
**PG**



**FT0356-0 03 16**



REF	CODE	POIDS (kg)	WEIGHT (lb)	L (mm)	L (inch)	Ep.	Th.
RCS 1000	002 920	1.255	2.770	1000	39.37	2.5	Ø. 1
RCS 2000	002 930	2.510	5.540	2000	78.74	2.5	Ø. 1
RCS 3000	002 940	3.765	8.310	3000	118.11	2.5	Ø. 1

Material	Standard
DX 51 D Z 275	EN 10 346