


Part number

PEW 6365 SI



Flush-mounting plug, PLUSO series, 3 poles + N + PE, 6 h (red), 63 A, 380 ÷ 415 V

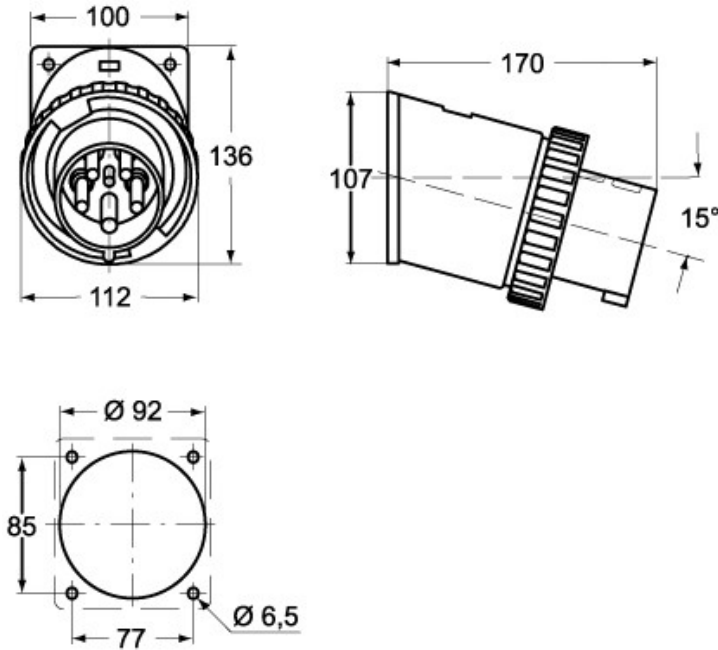
Product description		Material properties	
Product type	Plug Flush-mounting	Colour	RAL 7035 grey, RAL 3000 red
Series	PEW...SI, PLUSO	RoHs conformity	Compliant with exemption 6(c): copper alloy containing up to 4% lead by weight
Connection type	Screw terminal connection	China RoHs - EFUP	50
N. of poles	3 poles + N + 	REACH SVHC substances	Yes Lead
Clock position	6	SCIP number	Ca7de37f-add8-4b77-9861-279c94903ade
Technical data		Approvals / Standards	
Current	63 A	Reference standard	EN 60309-1 and -2
Voltage	380 ÷ 415 V	General ordering information	
IP degree of protection	IP67	EAN13 code	8015747077699
Further technical details		Packaging Information	
Weight	737,00 g	Packaging length	255,00 mm
Operating temperature range (min, max)	-25°C ... +40°C	Packaging height	195,00 mm
		Packaging width	245,00 mm
		Packaging weight	3,20 kg
		Packaging volume	12,18 dm ³
		Packaging description	Carton box
		Packaging quantity	4 Pcs
		Packaging EAN code	8015747077705

Part number

PEW 6365 SI



Catalogue drawings



Notes

Dimensions shown in mm are not binding and may be changed without notice.

- Compliant with EN 60309-1 and -2
- Enclosure, insert and locking ring in insulating, thermoplastic, self-extinguishing material
- Flange with anti-ageing gasket
- PE...SI types (IP44), RAL 7035 grey enclosure, plug mouth colour coded according to the operating voltage
- PEW...SI (IP67) types, RAL 7035 grey enclosure, locking ring with gasket colour coded according to the operating voltage
- Terminals with retained screws
- 63A, 125A: with pilot contact
- Nickel-plated contacts, available on request for 16A and 32A (standard on 63A and 125A). For the code of products with nickel-plated contacts (socket holes, plug pins), add "N" to the pre-code of the corresponding standard product code; for example: PE becomes PEN and PEW becomes PEWN.
- IP44 and IP67 degrees of protection (EN 60529)