

Part number

PB 16102 PI



Flush-mounting socket outlet, PLUSO series, 2 poles, 10 h (white), 16 A, 20 ÷ 50 V, straight

Product description		Material properties	
Product type	Socket Flush-mounting	Colour	RAL 7035 grey, RAL 9010 white
Series	PB...PI, PLUSO	RoHs conformity	Compliant with exemption 6(c): copper alloy containing up to 4% lead by weight
N. of poles	2 poles	China RoHs - EFUP	50
Clock position	10	REACH SVHC substances	Yes Lead
Specification	Straight	SCIP number	Ca7de37f-add8-4b77-9861-279c94903ade
Technical data		Approvals / Standards	
Current	16 A	Reference standard	EN 60309-1 and -2
Voltage	20 - 50 V	General ordering information	
IP degree of protection	IP44	EAN13 code	8015747061162
Further technical details		Packaging Information	
Weight	97,00 g	Packaging length	195,00 mm
Operating temperature range (min, max)	-25°C ... +40°C	Packaging height	135,00 mm
		Packaging width	155,00 mm
		Packaging weight	1,10 kg
		Packaging volume	4,08 dm ³
		Packaging description	Carton box
		Packaging quantity	10 Pcs
		Packaging EAN code	8015747221627

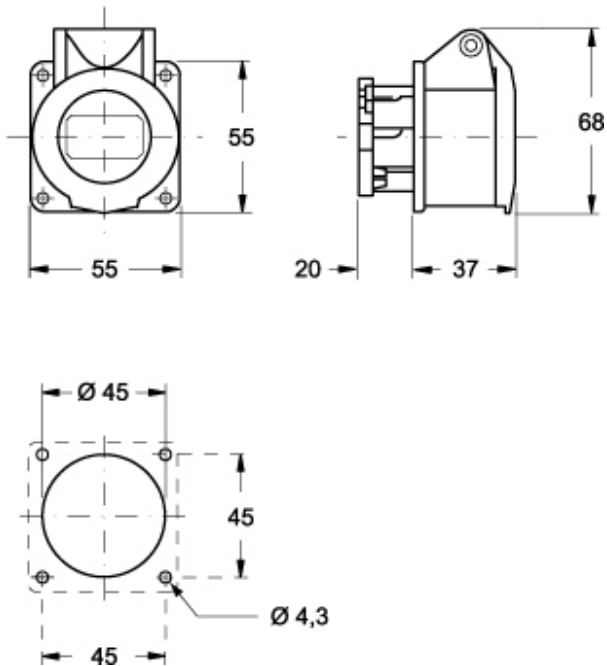
Part number

PB 16102 PI



Catalogue drawings

(16 / 32A) PB ... PI



Notes

Dimensions shown in mm are not binding and may be changed without notice.

-
- Compliant with EN 60309-1 and -2
 - Enclosure, insert and spring lid in insulating, thermoplastic, self-extinguishing material
 - RAL 7035 grey enclosure
 - Spring lid colour coded according to the operating voltage and frequency
 - Wall-mounting types PB...PP, top entry with threaded grommet (replaceable with cable gland)
 - Flush-mounting types PB...PI, flange with anti-aging gasket
 - Coupler types PB...PV, cable anchoring collar incorporated in the insert, entry with grommet
 - Terminals with retained screws
 - Nickel-plated contacts on request
 - IP44 degree of protection (EN 60529)
-