

Part number

CX 06 CYF



Female modular insert, Mixo series, AXYR® spring push-in terminal connection without tools, 6 poles, 1 module, 16 A 500 V 6 kV 3

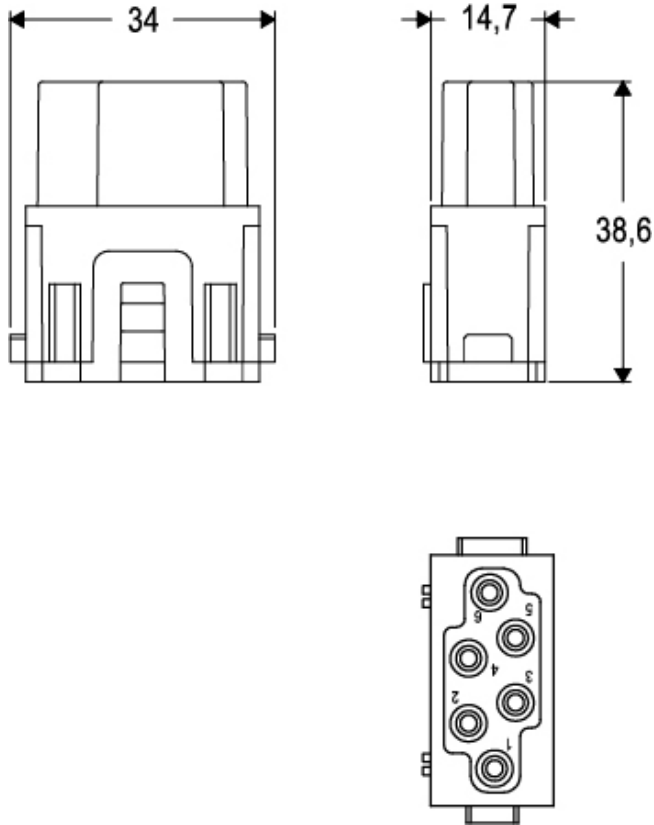
| Product description | | Material properties | |
|---|---|----------------------------------|--|
| Product type | Modular insert | Main material | Polycarbonate (PC) |
| Series | Mixo | Other materials | Contacts: copper alloy |
| Connection type | AXYR® high density spring terminal connection without tools | Colour | RAL 7032 grey |
| Gender | Female | RoHs conformity | Compliant with exemption 6(c): copper alloy containing up to 4% lead by weight |
| N. of poles | 6 poles | China RoHs - EFUP | 50 |
| Size | 1 module | REACH SVHC substances | Yes Lead |
| Technical data | | General ordering information | |
| Current | 16 A | EAN13 code | 8015747016483 |
| Voltage | 500 V | eCl@ss 8.1 | 27440205 |
| Rated impulse withstand voltage | 6 kV | ETIM 7.0 | EC000438 |
| Pollution degree | 3 | Packaging Information | |
| Rated voltage according to UL/CSA | 600 V | Packaging length | 220,00 mm |
| Wire cross-section | 0,25 mm ² - 4,00 mm ² | Packaging height | 130,00 mm |
| AWG size | 24 - 12 | Packaging width | 240,00 mm |
| Contact type | Turned silver plated | Packaging weight | 1,50 kg |
| IP degree of protection | IP20 without enclosure, IP65/IP66/IP68/IP69 with enclosure | Packaging volume | 6,86 dm ³ |
| Further technical details | | Packaging description | Carton box |
| Characteristics according to EN 61984 | 16 A 500 V 6 kV 3 | Packaging quantity | 60 Pcs |
| Mating cycles | ≥ 500 | Packaging EAN code | 8015747127578 |
| Insulation resistance | ≥ 10 GΩ | Sub-packaging weight | 0,03 kg |
| Contact resistance | ≤ 3 mΩ | Sub-packaging description | Plastic bag |
| Weight | 20,50 g | Sub-packaging quantity | 1 Pcs |
| Operating temperature range (min, max) | -40 °C ... +125 °C | Sub-packaging EAN barcode | 8015747139854 |
| Conductors stripping length | 9...11 mm | | |
| UL 94 flammability rating | V-0 | | |

Part number

CX 06 CYF

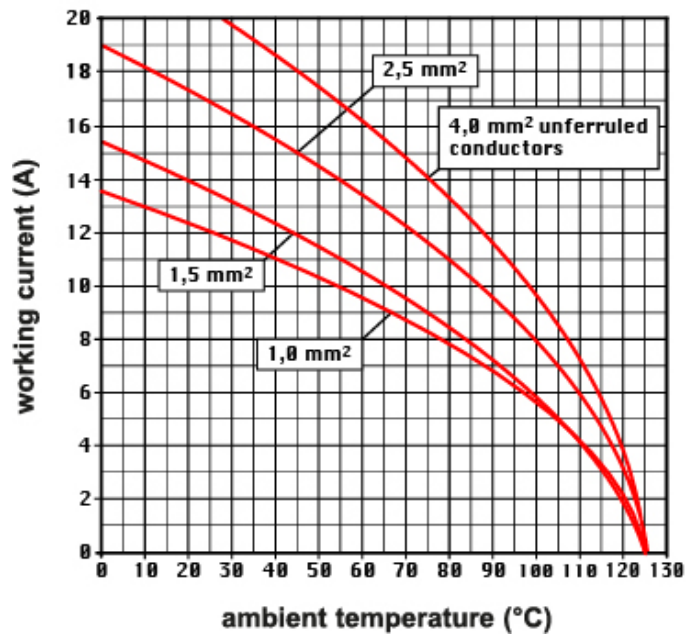


Catalogue drawings



Derating curves

CX..CY 6 poles connector inserts
Maximum current load derating diagram



Notes

Standard modular inserts:
-in combination with standard contacts and standard frames (CX ... TF/TM); must be mounted either in traditional enclosures or in COB panel supports (both up to 500 matings).

0,14 - 1,5 mm² (26 - 16 AWG)

Dimensions shown in mm are not binding and may be changed without notice.

AXYR® Mixo series inserts for wires with the following cross-sectional areas either ferruled or unferruled:

- modules from 6 to 8 poles
0,25 - 4 mm² (24 - 12 AWG)
for prepared wires useable section:
0,25 - 2,5 mm² (24 - 14 AWG)

-12 poles modules
0,14 - 2,5 mm² (26 - 14 AWG)
for prepared wires useable section: