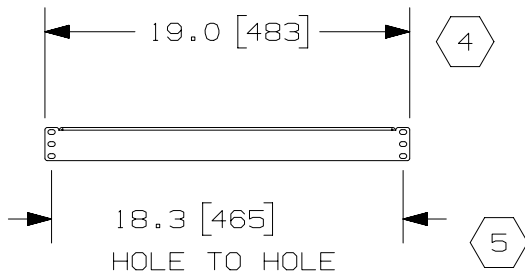
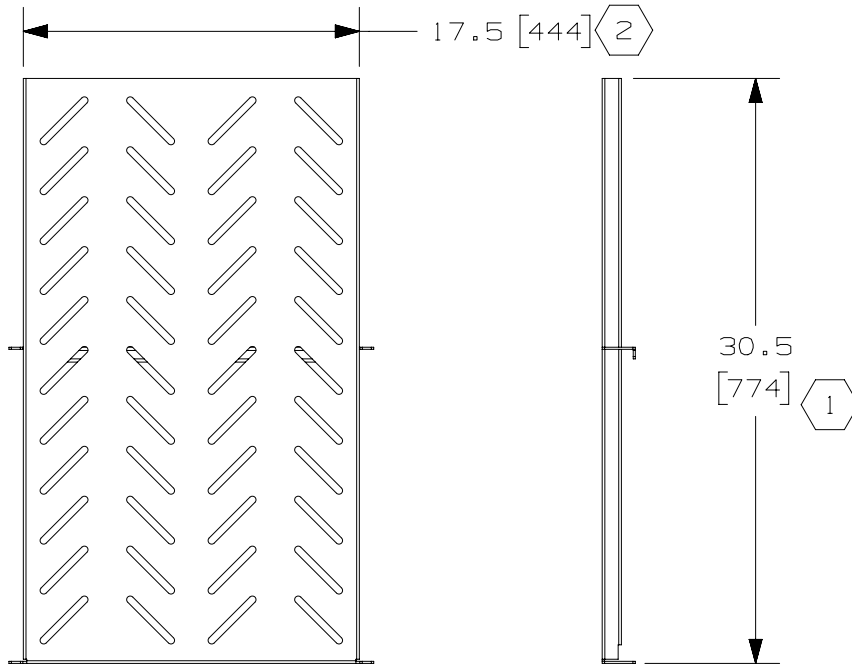
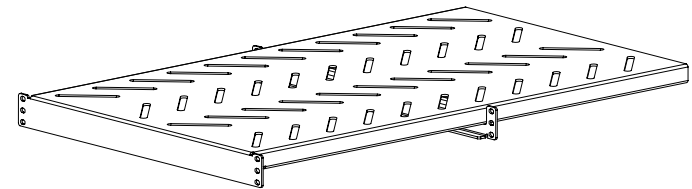


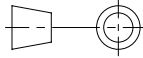
THIS COPY IS PROVIDED ON A RESTRICTED BASIS AND IS NOT TO BE USED IN ANY WAY DETRIMENTAL TO THE INTERESTS OF PANDUIT CORP.



NOTES:

1. VISIT OUR ON-LINE CATALOG AT WWW.PANDUIT.COM FOR A LIST OF CURRENT PARTS APPLICABLE FOR USE WITH THIS PRODUCT.
2. DIMENSIONS IN [ ] ARE METRIC.
3. ALL MATERIALS AND COMPONENTS USED MEET THE MATERIAL RESTRICTIONS OF RoHS (EUROPEAN DIRECTIVE 2011/65/EU ON THE RESTRICTION OF HAZARDOUS SUBSTANCES) AS PROPOSED BY THE RoHS TECHNICAL ADAPTATION COMMITTEE.
4. WEIGHT: 20 LB [9.07 Kgs]
5. PART INCLUDES:
  - 1 - BASE SHELF
  - 1 - MOUNTING BRACKET
  - 2 - #12-24 SCREWS (PACK OF 4)
6. LOAD RATING IS 275 LBS WHEN RAILS ARE SPACED A MINIMUM OF HALF THE SHELF DEPTH.
7. SHELF IS DESIGNED TO SUPPORT LARGE NETWORKING EQUIPMENT IN COMBINATION WITH SUPPLIED EQUIPMENT MOUNTING FLANGES.



|   |         |                                      |      |       |
|---|---------|--------------------------------------|------|-------|
| PART NUMBER   |         | RSHLF, RSHLFWH                       |      |       |
| TITLE   |         | 19" X 30" DEEP SHELF FOR 4 POST RACK |      |       |
|   |         | CUSTOMER DRAWING                     |      |       |
| ITEM REVISION NAME  |         | V10679ZM/03                          |      |       |
| DATASET FILE NAME   |         | V10679ZM_DC/03A                      |      |       |
|  |         | THIRD ANGLE PROJECTION               |      |       |
| MATERIAL  |         | STEEL                                |      |       |
|   |         | DRAWING NUMBER                       |      |       |
|   |         | V10679ZM-DC                          |      |       |
| REV   | DATE    | BY                                   | CHK  | APR   |
| 03A   | 7-20-20 | TWV                                  | NAGL | JEFK  |
| ADDED PART # RSHLFWH; REMOVED M6 SCREWS   |         |                                      |      |       |
| DESCRIPTION   |         |                                      |      |       |
| ECN   |         |                                      |      |       |
| DRAWN BY  |         | DATE                                 | CHK  | SCALE |
| TWV   |         | 7-20-20                              | NAGL | NONE  |
| SHEET 1 OF 1  |         |                                      |      | SIZE  |
|   |         |                                      |      | A     |

A-SIZE CUSTOMER

2

1

2

1