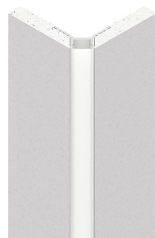


L-16 EVO / L-16 WALL / L-16 LOW

101872.99

novalux

ITALIAN LIGHTING DESIGN SINCE 1948



Features

Use: Indoor

Type of installation: RECESSED INTO PLASTERBOARD

Emission: DIRECT

L: 2000mm

A: 74mm

H: 74mm

Made in: ITALY

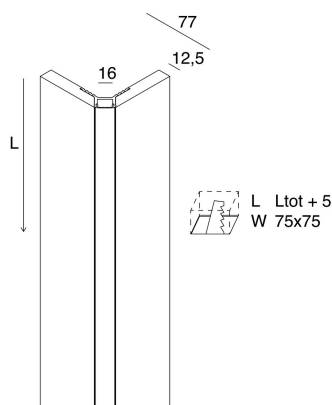
Warranty: 5 years

Weight: 4.24kg

Tech data

IP: 40

[View more product info](#)



Novalux S.r.l. via Marzabotto, 2 40050 Funo di Argelato (BO) Italy
Tel: +39 051 860558 · Fax +39 051 6647859 · Mail: info@novalux.it · VAT number 00536541204 · novalux.com
Company subject to the management and coordination by SLV GmbH

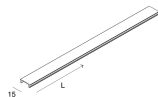
This technical data sheet is owned by Novalux S.r.l., all rights reserved. Novalux S.r.l. reserves the right to make changes without prior notice.

L-16 EVO / L-16 WALL / L-16 LOW

101872.99

novalux
ITALIAN LIGHTING DESIGN SINCE 1948

SCREENS



L-16 EVO: DIFF. OPALE L=6000

1018A3.99



L-16 EVO: DIFF. NERO L=6000

1018B7.99



Novalux S.r.l. via Marzabotto, 2 40050 Funo di Argelato (BO) Italy
Tel: +39 051 860558 · Fax +39 051 6647859 · Mail: info@novalux.it · VAT number 00536541204 · novalux.com
Company subject to the management and coordination by SLV GmbH

This technical data sheet is owned by Novalux S.r.l., all rights reserved. Novalux S.r.l. reserves the right to make changes without prior notice.