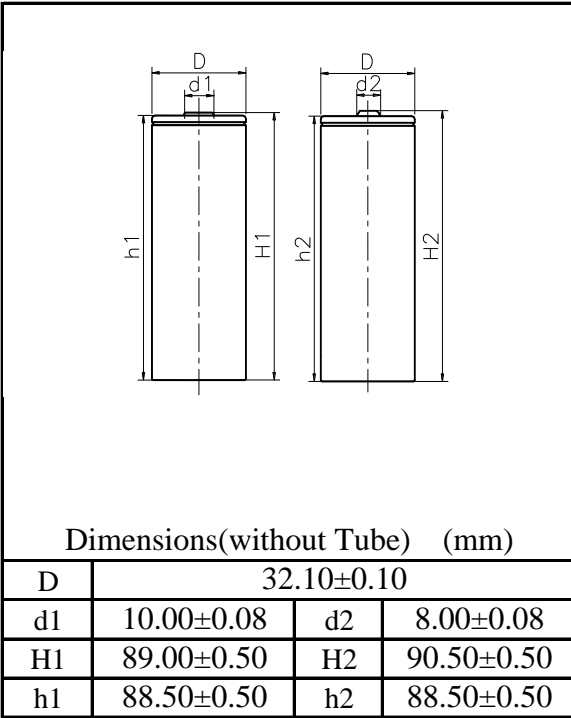


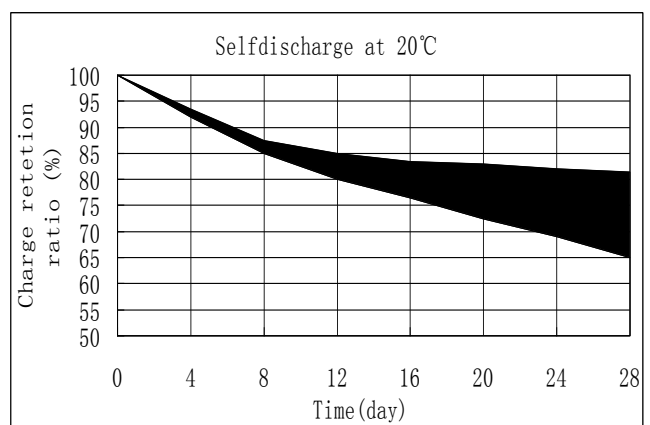
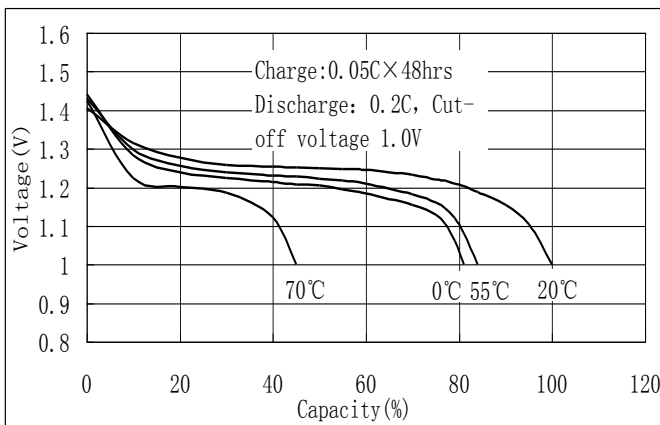
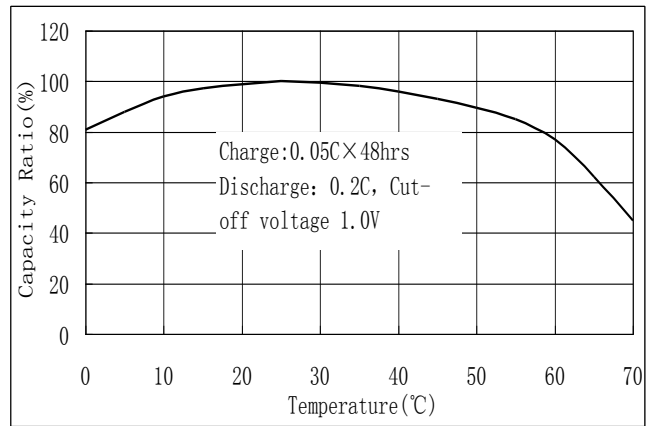
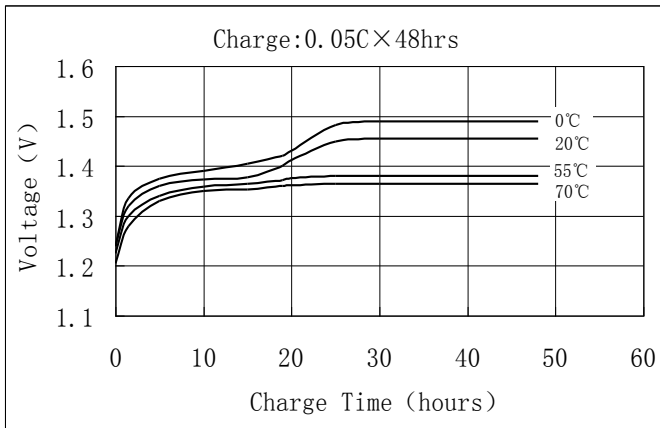
MODEL No: F7000H55

Description: 7000 mAh SIZE Ni-Cd F



Specification

Nominal Capacity		7000 mAh	
Nominal Voltage		1.2 V	
Charge current	Trickle	350 mA	
	Standard	700 mA	
Charge time	Trickle	48 Hrs~	
	Standard	14~16 Hrs	
Ambient Temperature	Charge	Trickle	0°C~70°C
		Standard	0°C~70°C
	Discharge		-20°C~70°C
	Storage		-20°C~60°C
Internal Impedance(mΩ) (After Charge)		≤ 9	
Weight		197 g	



We reserve the right to alter or amend the design,model and specification without prior notice.