

Part number

CX PLF



Female fibre optic crimp contact, POF / MOST® series, max. external diameter 2,2 mm, polymer fibre diameter 1,0 mm

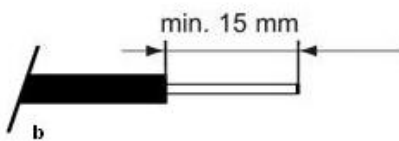
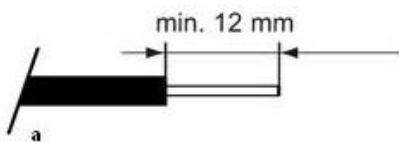
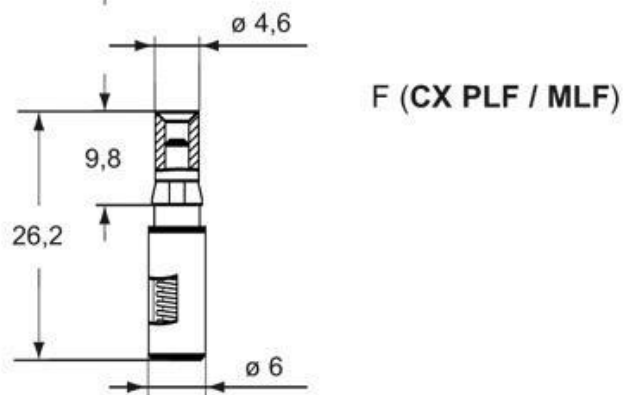
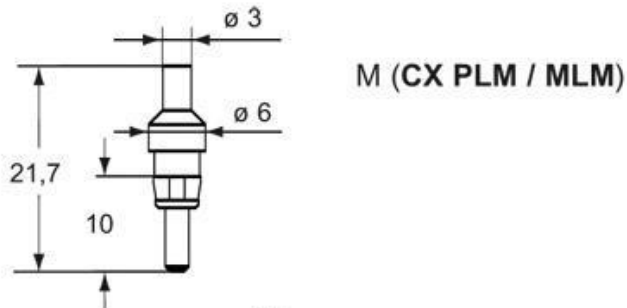
Product description		General ordering information	
Product type	Fibre optic crimp contact	EAN13 code	8015747095648
Series	POF / MOST®	eCl@ss 8.1	27440204
Gender		ETIM 7.0	EC000796
Specification	Max. external diameter 2,2 mm Polymer fibre diameter 1,0 mm	Packaging Information	
Further technical details		Sub-packaging description	Plastic bag
Weight	3,50 g	Sub-packaging quantity	1 Pcs
		Sub-packaging EAN barcode	8015747279406

Part number

CX PLF



Catalogue drawings



Notes

* POF = Polymer Optical Fibre

- to crimp contacts CX PLF / PLM and CX MLF / MLM please use tool CLPZ R

- max external diameter: 2.2 mm (POF) / 2.3 mm (MOST)

- polymer fibre diameter: 1.0 mm (POF) 1/1.5 mm (MOST)

- attenuation: < 2.5 dB

- temperature range: -40 °C ÷ +85 °C

California Proposition 65 Information



WARNING

This product can expose you to lead and its compounds, known to the State of California to cause cancer and/or reproductive toxicity. For more information go to www.P65Warnings.ca.gov.

Dimensions shown in mm are not binding and may be changed without notice.
