

Part number

CRZ 16



Reduction plate, size "104.27", with gasket, for bulkhead mounting housings size "77.27"

Product description	
Product type	Reduction plate
Size	Size 104.27
Specification	With gasket For bulkhead mounting housings size "77.27"
Further technical details	
Weight	35,00 g

General ordering information	
EAN13 code	8015747039727
eCl@ss 8.1	27440201
ETIM 7.0	EC002309
Packaging Information	
Packaging length	160,00 mm
Packaging height	128,00 mm
Packaging width	350,00 mm
Packaging weight	1,95 kg
Packaging volume	7,17 dm ³
Packaging description	Carton box
Packaging quantity	50 Pcs
Packaging EAN code	8015747039734
Sub-packaging weight	0,20 kg
Sub-packaging description	Plastic packaging
Sub-packaging quantity	5 Pcs
Sub-packaging EAN barcode	8015747039741

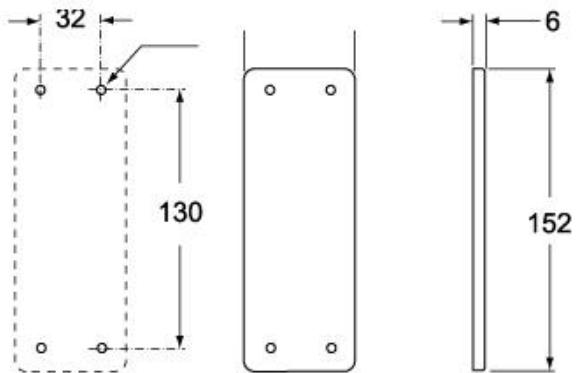
Part number

CRZ 16

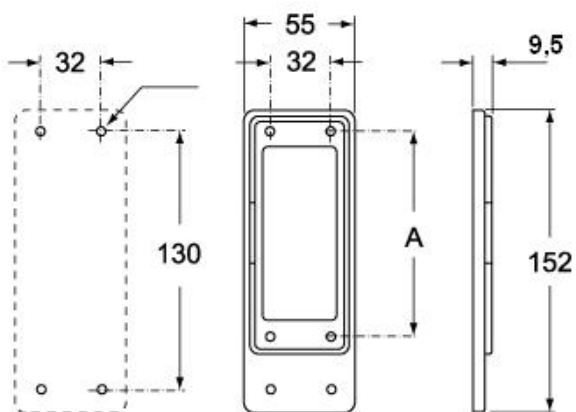


Catalogue drawings

CRH



CRZ



Notes

Dimensions shown in mm are not binding and may be changed without notice.