

1SET164002R0000 ✓ ACTIVE

ENTRELEC

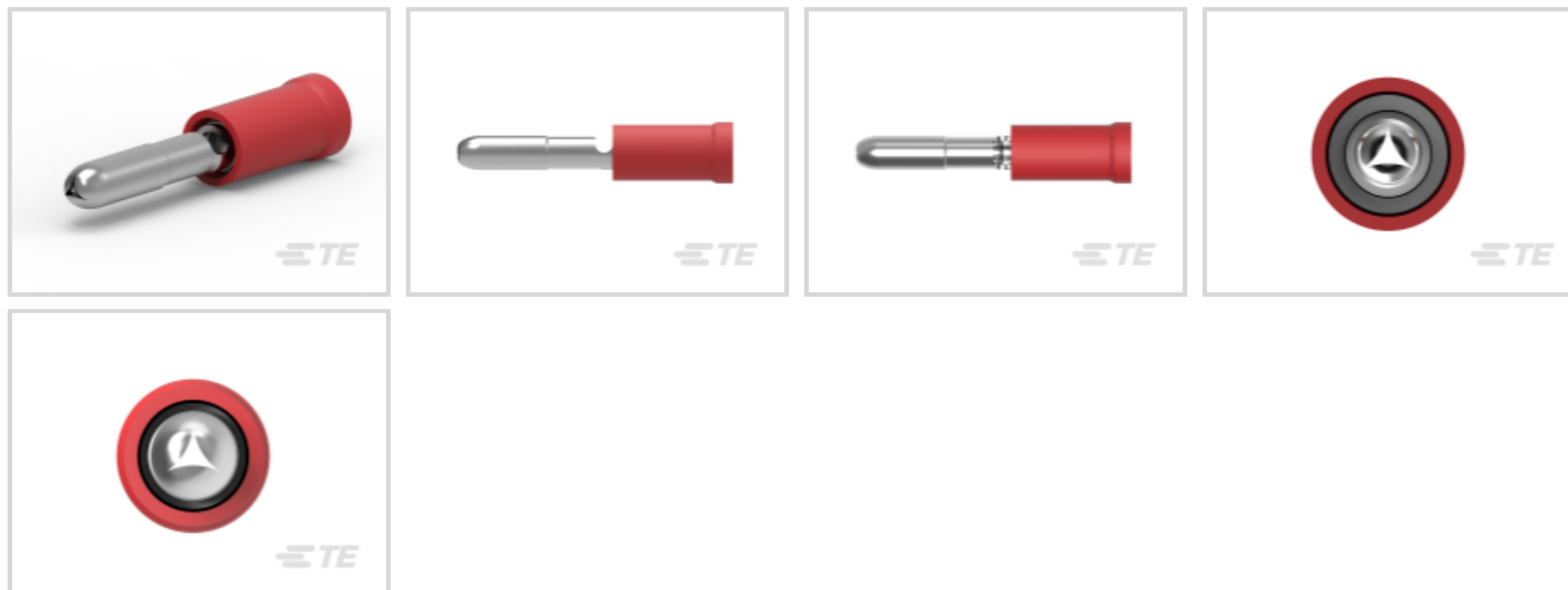
TE Internal #: 1SET164002R0000

Crimp Wire Pins, Tabs & Ferrules, Shur-Plug, Pin Diameter 3.43 mm [.135 in], 20 – 15 AWG Wire Size, .5 – 1.5 mm² Wire Size, 1022 – 3257 CMA Wire Size

[View on TE.com >](#)



Terminals & Splices > Crimp Wire Pins, Tabs & Ferrules



Crimp Wire Pin, Tab & Ferrule Terminal Type: **Shur-Plug**

Pin Diameter: **3.43 mm [.135 in]**

Accepts Wire Insulation Diameter Range: **3.3 mm [.13 in]**

Wire Size: **.5 – 1.5 mm²**

Features

Product Type Features

Sealable	No
Wire Insulation Support Retention Type	Insulation Support

Configuration Features

Compatible With Wire & Cable Type	Discrete Wire
-----------------------------------	---------------

Body Features

Insulation Material	Nylon
---------------------	-------

Contact Features

Crimp Wire Pin, Tab & Ferrule Terminal Type	Shur-Plug
Barrel Type	Closed
Terminal Plating Material	Tin
Terminal Orientation	Straight

Termination Features

	.945 in
--	---------

Mechanical Attachment



Wire Insulation Support	With
-------------------------	------

Dimensions

Pin Diameter	3.43 mm [.135 in]
Accepts Wire Insulation Diameter Range	3.3 mm [.13 in]
Wire Size	1022 – 3257 CMA
Terminal Material Thickness	.02 mm [.406 in]
Overall Product Length	24 mm [.944 in]

Usage Conditions

Insulation Option	Partially Insulated
Operating Temperature Range	105 °C [221 °F]

Operation/Application

Heavy Duty	No
------------	----

Packaging Features

Packaging Quantity	500
Packaging Method	Box

Other

Barrel Color	Red
--------------	-----

Product Compliance

[For compliance documentation, visit the product page on TE.com>](#)

EU RoHS Directive 2011/65/EU	Compliant
EU ELV Directive 2000/53/EC	Compliant
China RoHS 2 Directive MIIT Order No 32, 2016	No Restricted Materials Above Threshold
EU REACH Regulation (EC) No. 1907/2006	Current ECHA Candidate List: JUNE 2022 (224) Candidate List Declared Against: JUNE 2022 (224) Does not contain REACH SVHC
Halogen Content	Low Halogen - Br, Cl, F, I < 900 ppm per homogenous material. Also BFR/CFR/PVC Free
Solder Process Capability	Not applicable for solder process capability

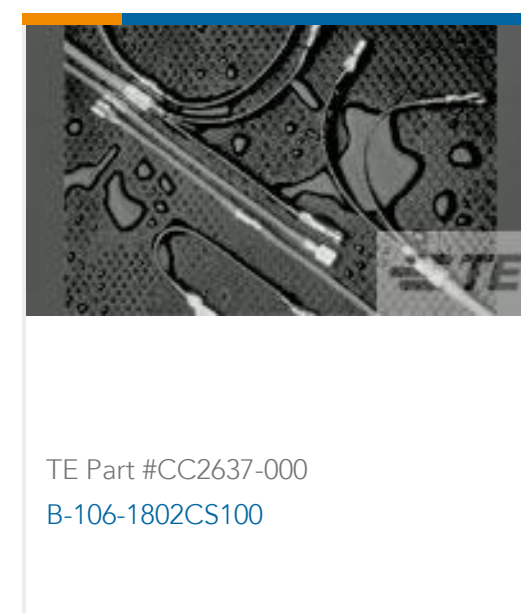
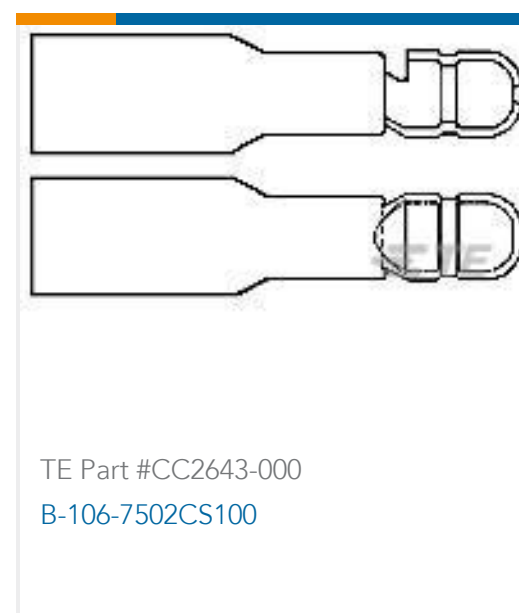
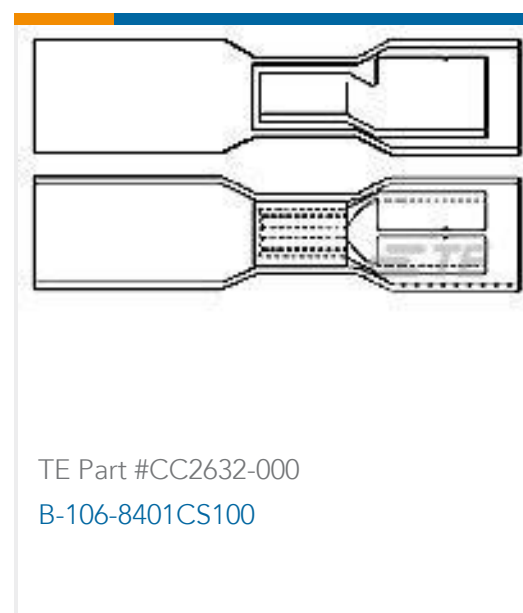
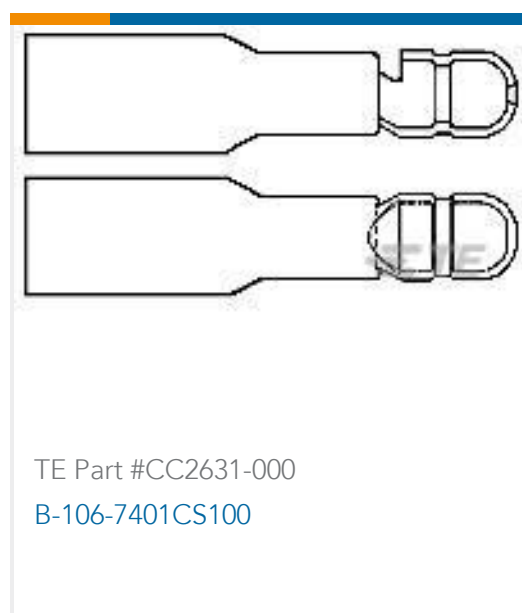
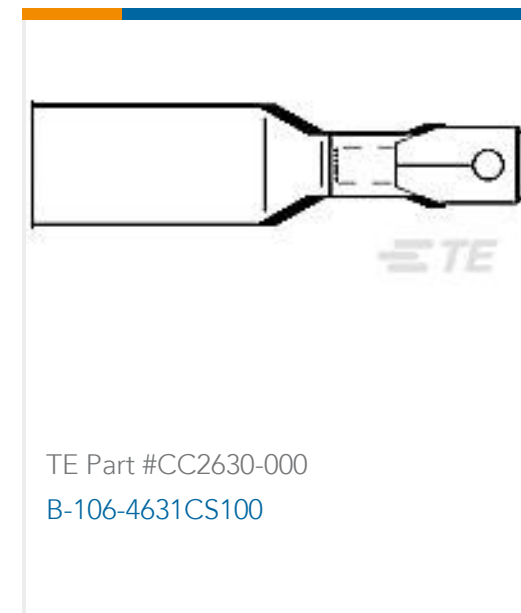
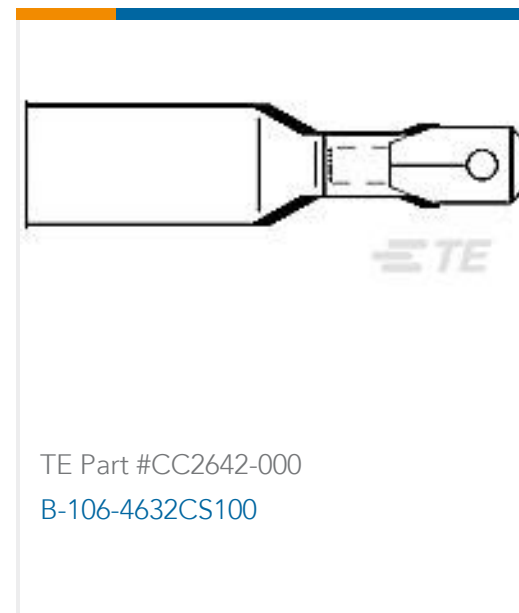
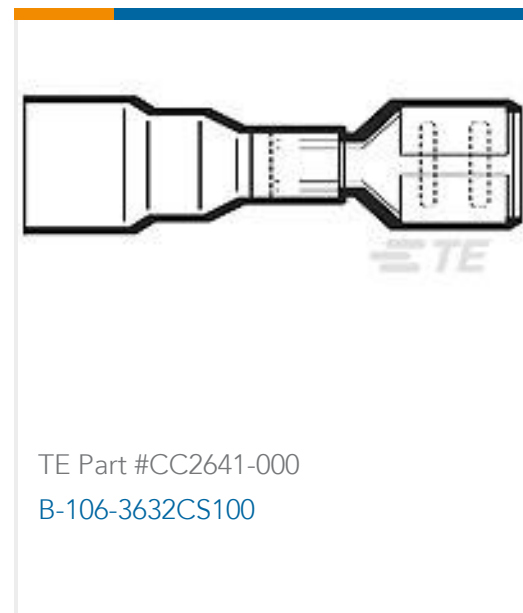
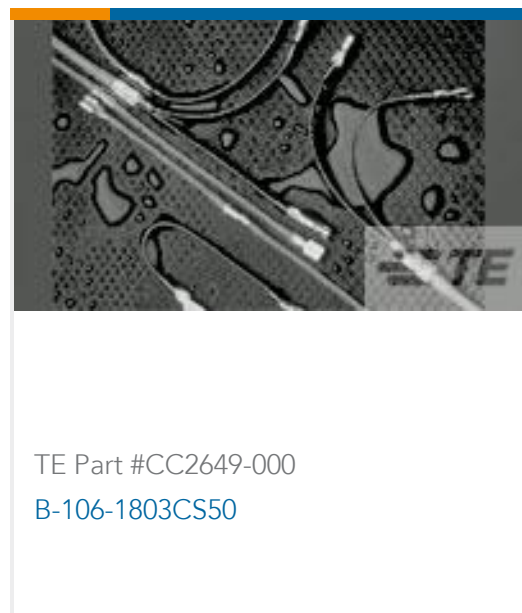
Product Compliance Disclaimer

This information is provided based on reasonable inquiry of our suppliers and represents our current actual knowledge based on the information they provided. This information is subject to change. The part numbers that TE has identified as EU RoHS compliant have a maximum concentration of 0.1% by weight in homogenous materials for lead, hexavalent chromium, mercury, PBB, PBDE, DBP, BBP, DEHP, DIBP, and 0.01% for cadmium, or qualify for an exemption to these limits as defined in the Annexes of Directive 2011/65/EU (RoHS2). Finished electrical and electronic equipment products will be CE marked as required by Directive 2011/65/EU. Components may not be CE marked. Additionally, the part numbers that TE has identified as EU ELV compliant have a maximum concentration of 0.1% by weight in homogenous materials for lead, hexavalent chromium, and mercury, and 0.01% for cadmium, or qualify for an exemption to these limits as defined in the Annexes of Directive 2000/53/EC (ELV). Regarding the REACH Regulation, the information TE provides on SVHC in articles for this part number is based on the latest European Chemicals Agency (ECHA) 'Guidance on requirements for substances in articles' posted at this URL: <https://echa.europa.eu/guidance-documents/guidance-on-reach>

Compatible Parts



Customers Also Bought





Documents

Product Drawings

[SPI007-N-R1](#)

English

CAD Files

[3D PDF](#)

3D

Customer View Model

[ENG_CVM_CVM_1SET164002R0000_A.2d_dxf.zip](#)

English

Customer View Model

[ENG_CVM_CVM_1SET164002R0000_A.3d_igs.zip](#)

English

Customer View Model

[ENG_CVM_CVM_1SET164002R0000_A.3d_stp.zip](#)

English

By downloading the CAD file I accept and agree to the [Terms and Conditions](#) of use.

Datasheets & Catalog Pages

[Infographic - entrelec ews-linecard](#)

English

[PIDG TERMINALS & SPLICES Quick Reference Guide](#)

English

[Essential Entrelec Terminal Blocks](#)

French

[Essential Entrelec Terminal Blocks](#)

English