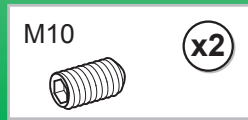
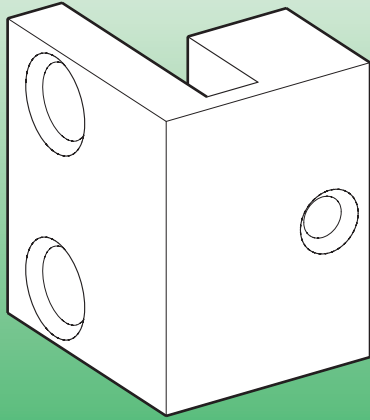
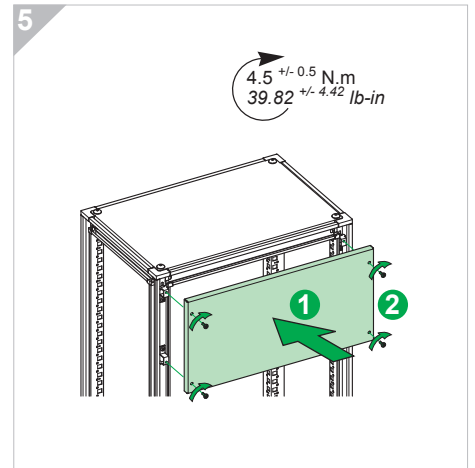
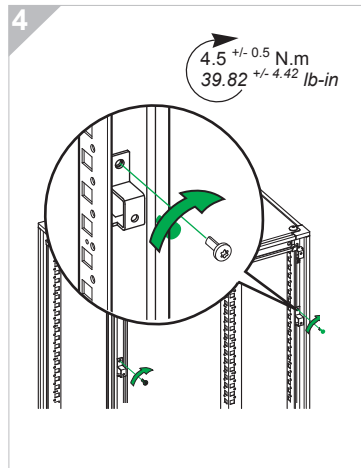
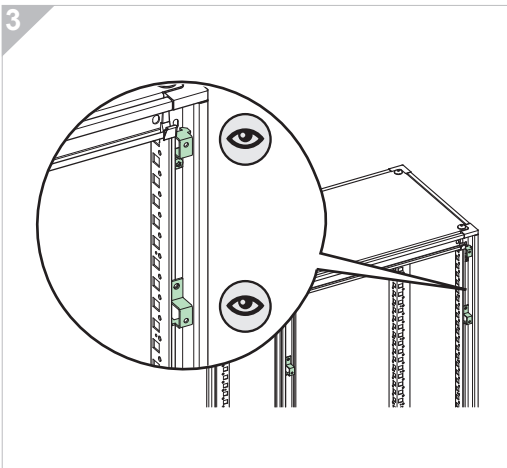
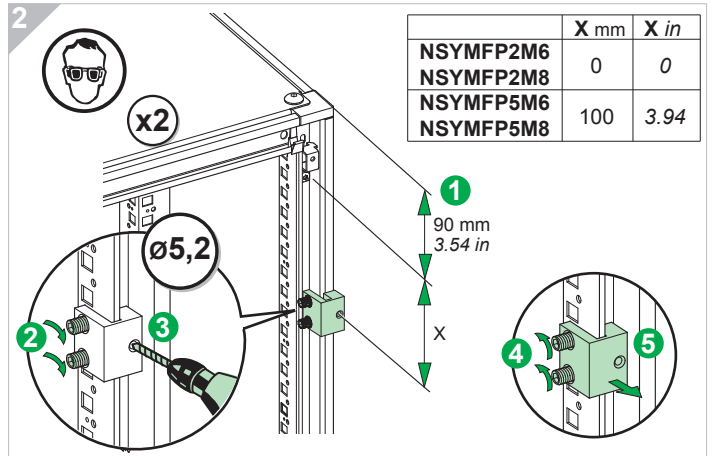
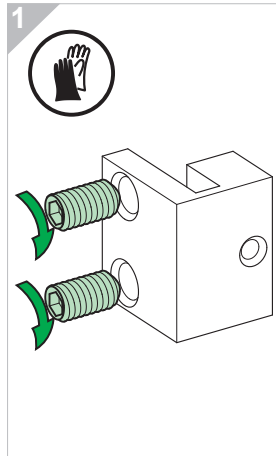
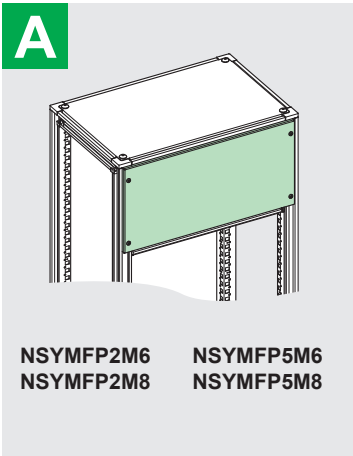


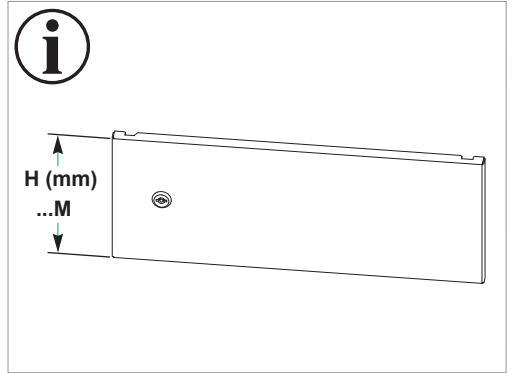
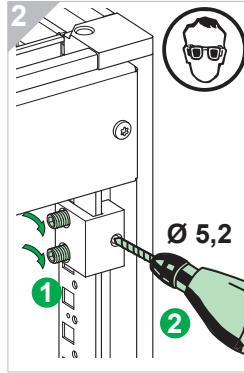
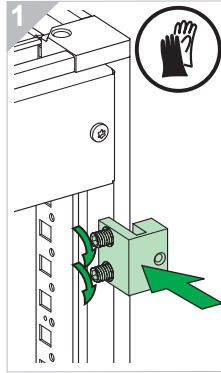
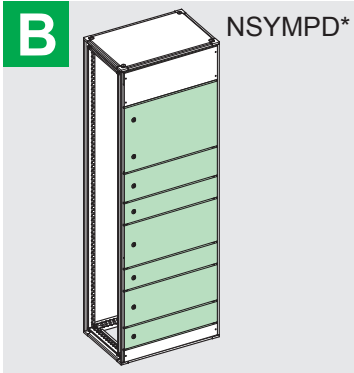
NSYMDT



Schneider
Electric

7313210001-05
06/2015 - 1/2





i

H (mm) = ...M	A	B	C	D
150 = 3M	0	0	125	0
200 = 4M	25	0	125	0
250 = 5M	25	0	175	0
300 = 6M	25	0	225	0
400 = 8M	75	0	225	0
450 = 9M	75	0	275	0
600 = 12M	75	0	425	0
800 = 16M	75	0	625	0
900 = 18M	75	375	725	0
1000 = 20M	75	425	825	0
1200 = 24M	75	250	1025	250
1400 = 28M	75	350	1225	350
1600 = 32M	75	450	1425	450

i

H (mm) = ...M	A	B	C	D
150 = 3M	0	0	125	0
200 = 4M	25	0	125	0
250 = 5M	25	0	175	0
300 = 6M	25	0	225	0
400 = 8M	75	0	225	0
450 = 9M	75	0	275	0
600 = 12M	75	0	425	0
800 = 16M	75	0	625	0
900 = 18M	75	0	725	375
1000 = 20M	75	0	825	425
1200 = 24M	75	250	1025	250
1400 = 28M	75	350	1225	350
1600 = 32M	75	450	1425	450

i

H (mm) = ...M	150 = 3M	200 = 4M → 300 = 6M	400 = 8M → 1600 = 32M
150 = 3M	E = 12.5	37.5	87.5
200 = 4M ↓ 300 = 6M	37.5	62.5	112.5
400 = 8M ↓ 1600 = 32M	87.5	112.5	162.5