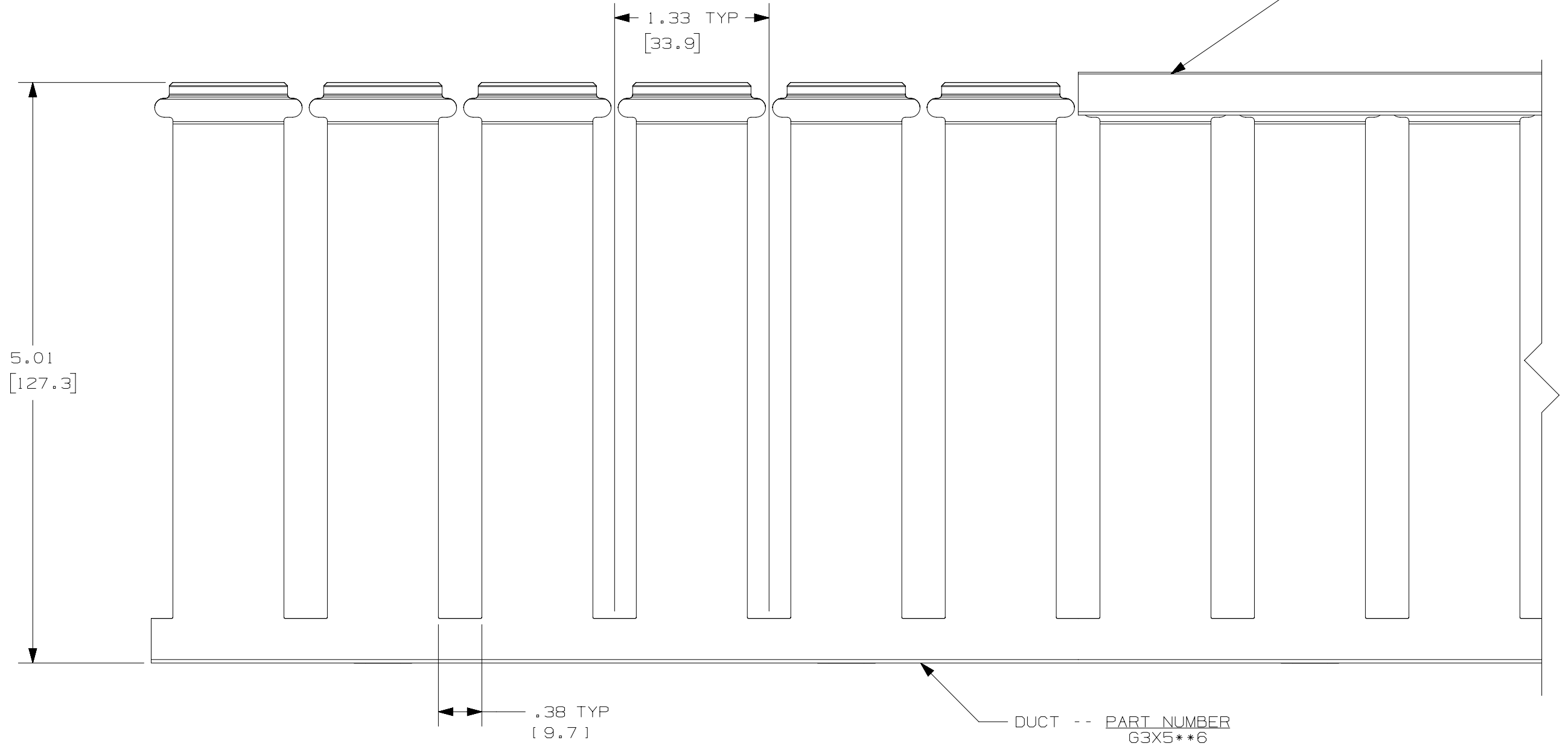
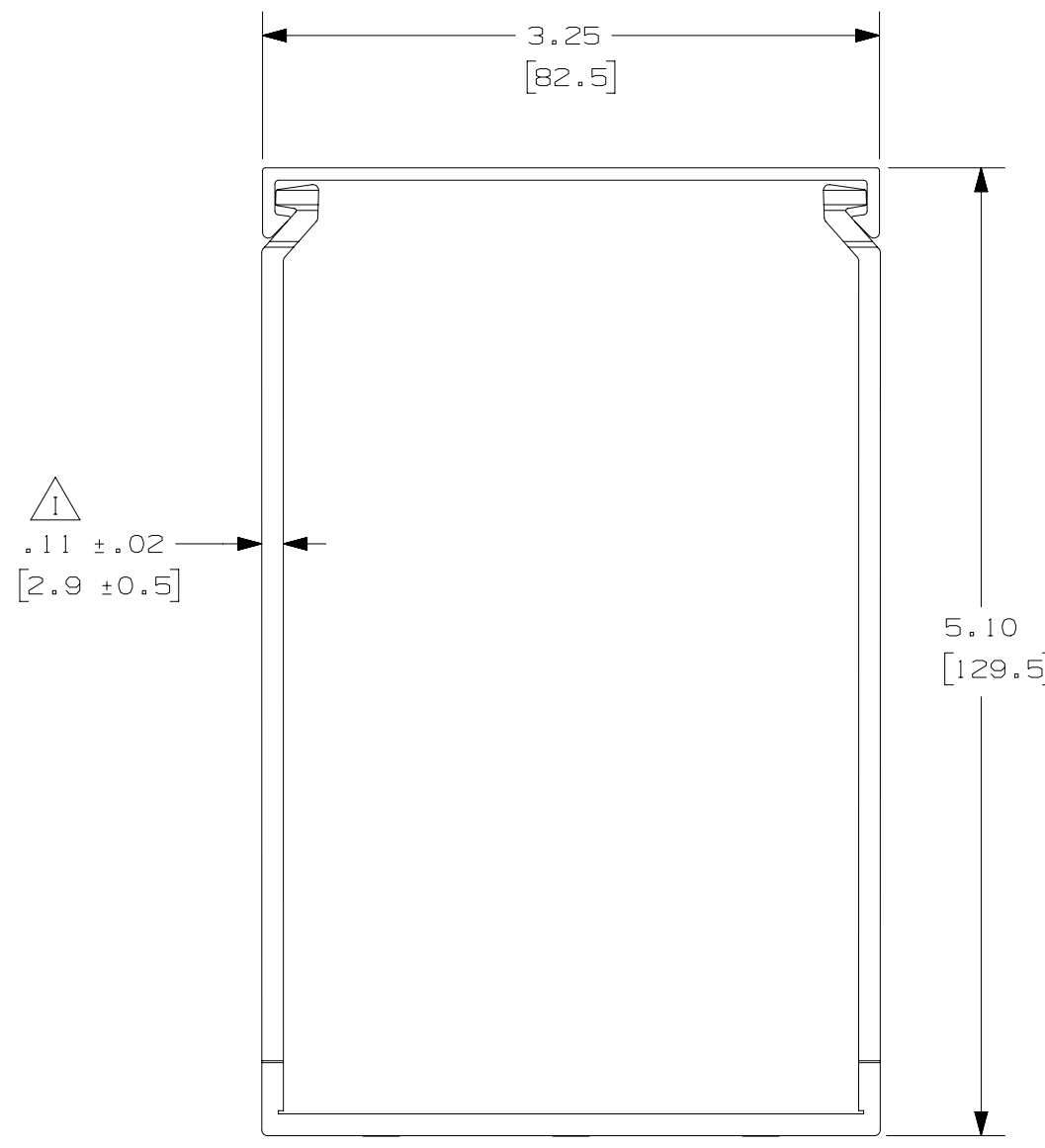


COVER -- PART NUMBER C3**6



DUCT -- PART NUMBER G3X5**6

- NOTES:
1. ALL DIMENSIONS ARE REFERENCE ONLY.
 2. DIMENSIONS IN PARENTHESIS ARE METRIC.
 3. THE ** DENOTE COLOR.
 4. DUCT AND COVER ARE AVAILABLE IN 6 FT (1828.8) LENGTHS.

REV	DATE	BY	CHK	APR	DESCRIPTION	ECN
4	04.26.16	BDK	MRJS	RGRO	I. ADDED TOLERANCE	36897-713
3	03-04-13	JBN	RTFI	RTFI	H. UPDATED DRAWING BORDER & TITLE BLOCK	36897-713

TITLE WIRING DUCT - TYPE G DUCT WITH COVER 3 X 5				CONTROL DRAWING	
ITEM REVISION NAME D11000RA/00				PANDUIT	
DATASET FILE NAME D11000RA_DC/00E					
UNLESS OTHERWISE SPECIFIED, DIMENSIONAL TOLERANCES ARE: 1N (mm)				MATERIAL: PVC	
DRAWN BY JCST				DRAWING NUMBER: 36897-713	
DATE 3-4-03				THIRD ANGLE PROJECTION	
CHK JGG				SCALE FULL	
SHT 1 OF 1				SIZE C	