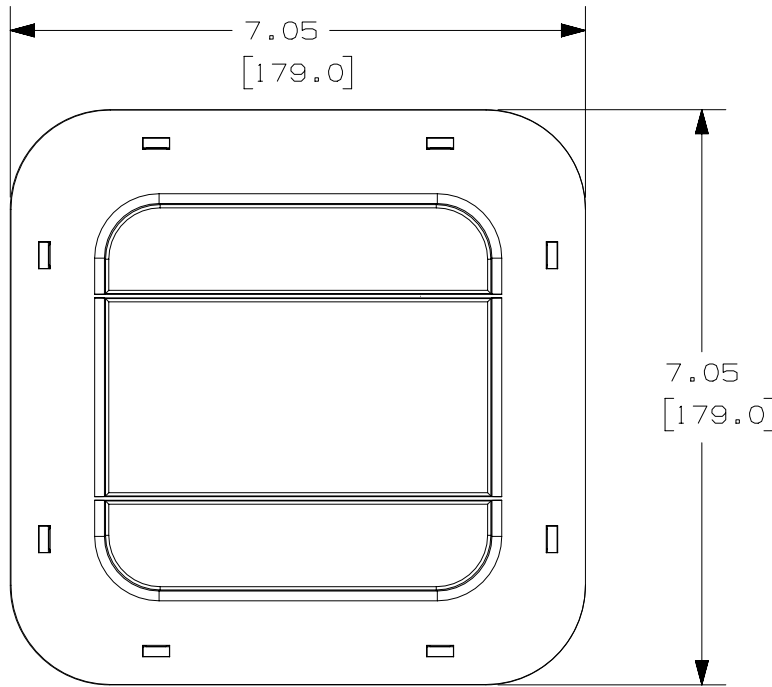


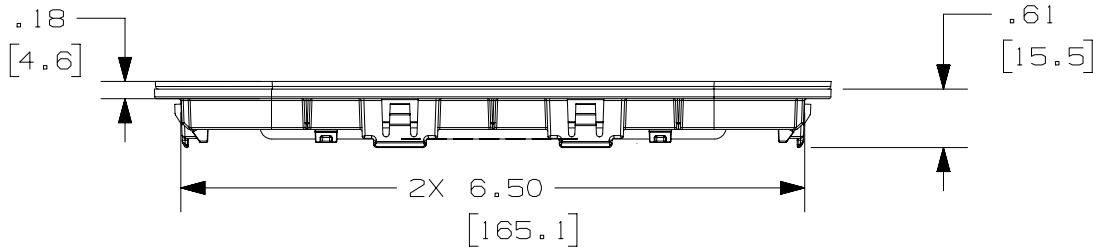
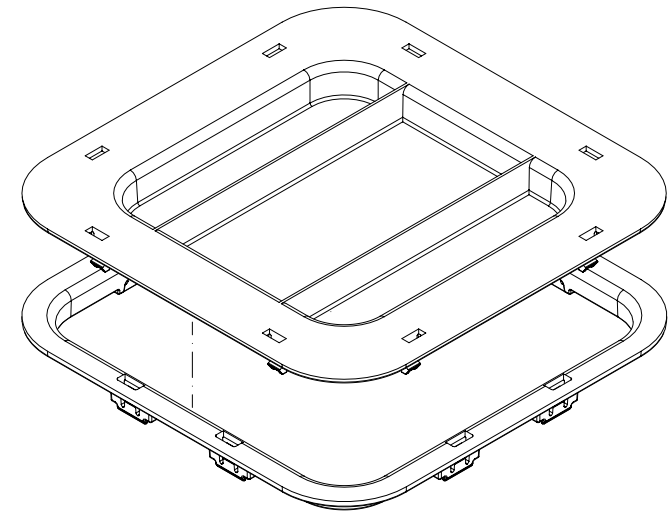
THIS COPY IS PROVIDED ON A RESTRICTED BASIS AND IS NOT TO BE USED IN ANY WAY DETRIMENTAL TO THE INTERESTS OF PANDUIT CORP.



PANDUIT PART NUMBER	WEIGHT
CTCN6X6	102.9 G / EACH .227 LBS / EACH

NOTES:

- PANDUIT PART NUMBER CTCN6X6 INCLUDES:
ONE (1) CABINET TOP COVER.
ONE (1) CABLE PROTECTION BEZEL.
- FOR USE WITH CABINET 2.0 NET-ACCESS CABINETS.
- USED TO SEAL OFF 6.5" X 6.5" CABINET OPENINGS AFTER KNOCK-OUTS HAVE BEEN REMOVED. CAN ALSO BE USED TO ADD THE CTGN6X6 TO OPENINGS WHERE KNOCK-OUTS HAVE BEEN REMOVED.
- DIMENSIONS IN PARENTEHESES ARE METRIC.
- WITH CABINET TOP COVER REMOVED, CABLE PROTECTION BEZEL OPENING IS 6.1" X 6.1" {37.21 in²}.



TITLE 6" X 6" CABINET TOP COVER AND CABLE PROTECTION BEZEL (CTCN6X6) CUSTOMER DRAWING	
ITEM REVISION NAME 12D308AC/00	PANDUIT TM
DATASET FILE NAME 12D308AC_DC/00A CTCN6X6	
UNLESS OTHERWISE SPECIFIED, DIMENSIONAL TOLERANCES ARE: IN (mm)	
.X ± .03 [.8]	.XXX ±
ANGLES ±	
MATERIAL: ABS	
DRAWING NUMBER: 12D308AC-DC	
DRAWN BY MES	DATE 2-17-16
CHK DWR	SCALE NONE
SHT 1 OF 1	
SIZE A	

REV	DATE	BY	CHK	APR	DESCRIPTION	ECN
00A	2-17-16	MES	DWR		RELEASED TO PRODUCTION	V09000UB

D101000DA/12

2

1

2

1