

Part number

CZI 15 LS



Bulkhead mounting housing, IL-BRID series, with 1 lever, size "49.16", with metal cover

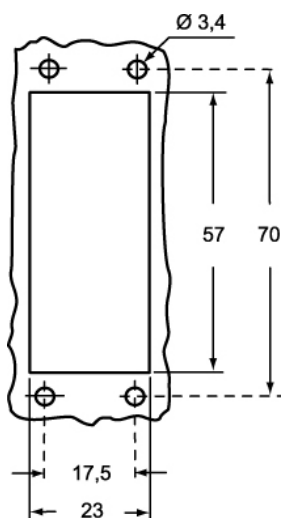
Product description		Material properties	
Product type	Bulkhead mounting housing	Colour	RAL 7040 grey
Series	IL-BRID	RoHs conformity	Compliant
Closing type	With 1 lever	China RoHs - EFUP	E
Size	Size "49.16"	REACH SVHC substances	No
Specification	With metal cover		
Technical data		Approvals / Standards	
IP degree of protection	IP66	UL	ECBT2
		cUL	ECBT8
Further technical details		General ordering information	
Weight	106,00 g	EAN13 code	8015747044073
Operating temperature range (min, max)	-40°C...+125°C	eCl@ss 8.1	27440202
		ETIM 7.0	EC000437
		Packaging Information	
		Packaging length	380,00 mm
		Packaging height	230,00 mm
		Packaging width	290,00 mm
		Packaging weight	4,84 kg
		Packaging volume	25,35 dm ³
		Packaging description	Carton box
		Packaging quantity	40 Pcs
		Packaging EAN code	8015747127707
		Sub-packaging weight	0,61 kg
		Sub-packaging description	Plastic packaging
		Sub-packaging quantity	5 Pcs
		Sub-packaging EAN barcode	8015747127714

Part number

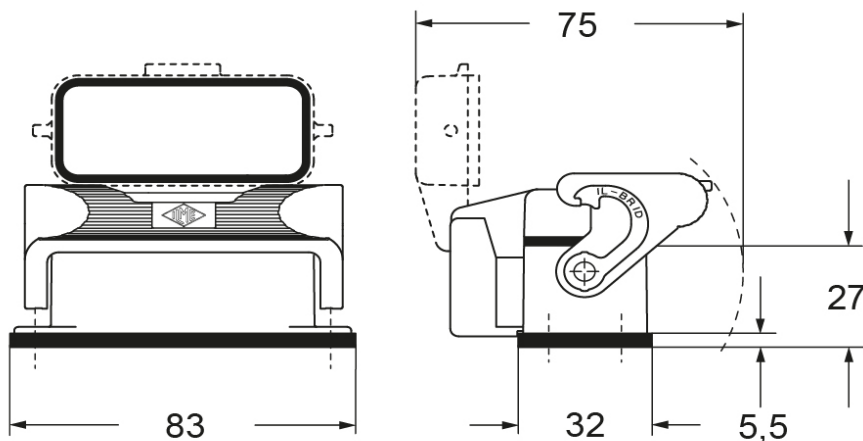
CZI 15 LS



Catalogue drawings



Catalogue drawings



Notes

Dimensions shown in mm are not binding and may be changed without notice.
