

INSTALLATION INSTRUCTIONS CM363

© Panduit Corp. 2008

List of Components:

- (1) Set of two Keys
- (1) Left Mounting Bracket
- (1) Right Mounting Bracket
- (6) Grommets
- (2) Tak-Ty Rolls (Hook and Loop)
- (1) Ceiling Tile Template
- (1) Integrated Horizontal Slack Manager
- (4) Entry/Exit Knockout Plates

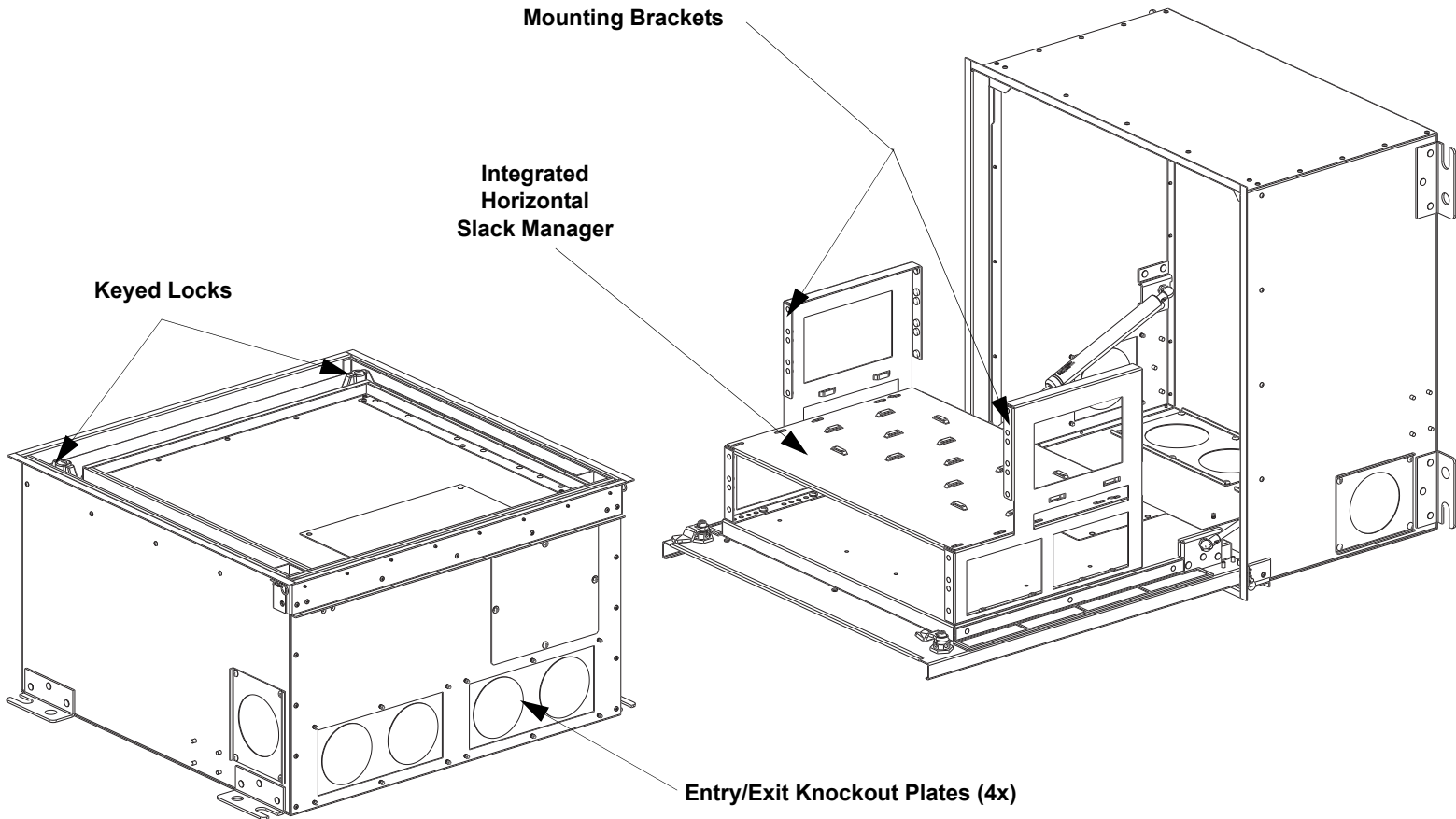
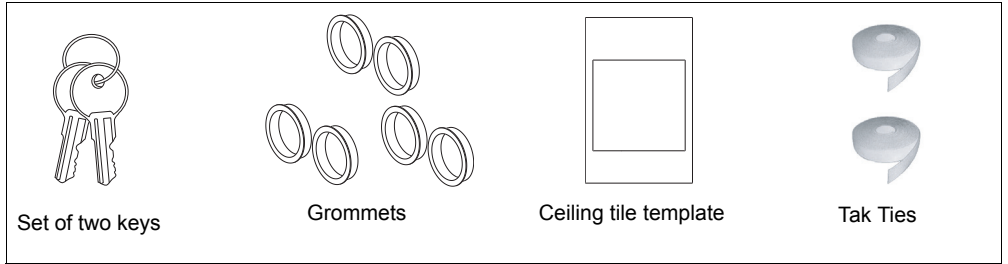
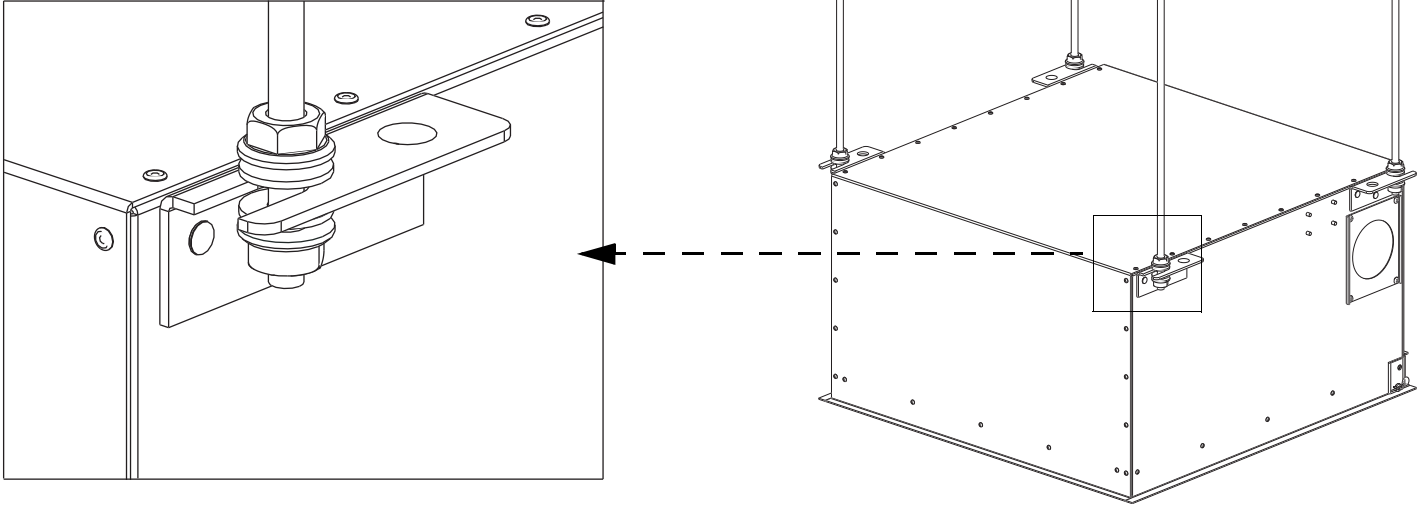


Table of Contents

Install in Ceiling.....	2
Equipment Installation.....	3
Cable Routing and Slack.....	4

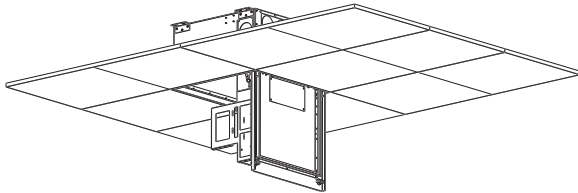
Install in Ceiling

Install (4) threaded rods to the building structure. The threaded rod must be attached on all four corners of the enclosure with a nut and washer above and below the support bracket. Level the enclosure so the weight is not supported by the ceiling grid system.



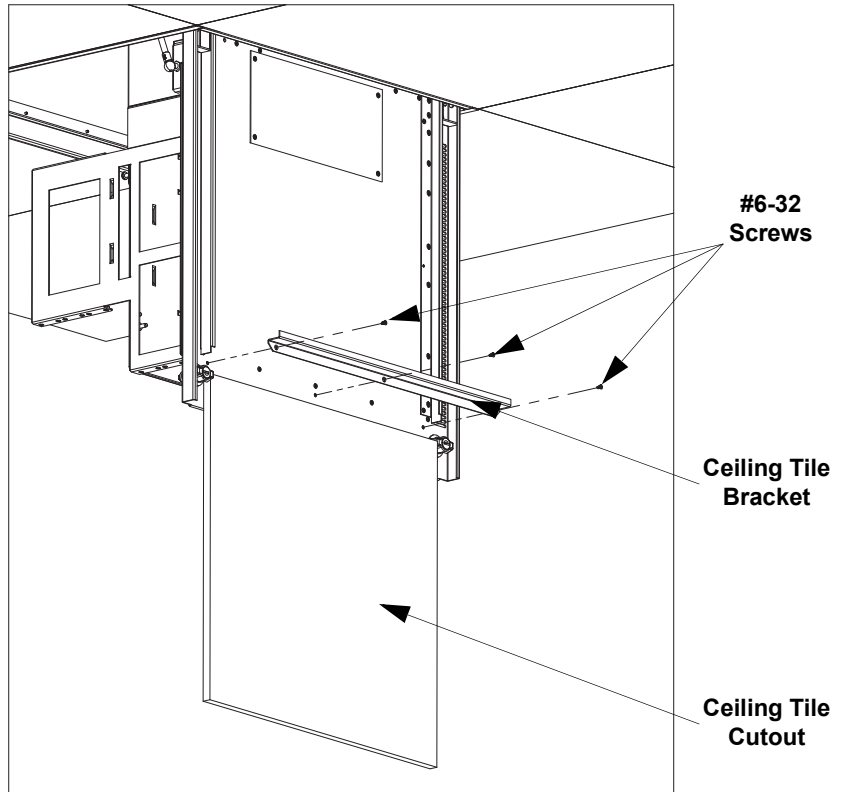
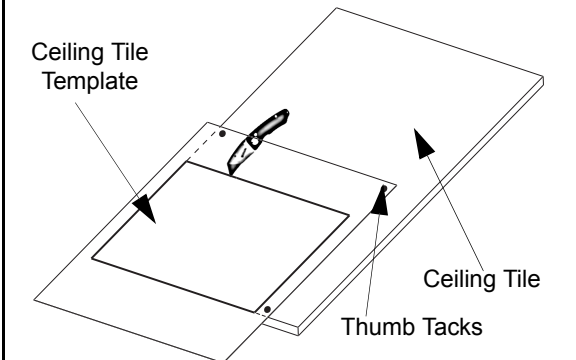
Insert Ceiling Tile Cutout into Housing

While the enclosure is installed in the ceiling and open, remove the (3) #6-32 screws and ceiling tile bracket as shown below. Once removed, slide the ceiling tile cutout into place fitting around the fan module. After proper orientation is achieved, replace the ceiling tile bracket and the (3) #6-32 screws back into enclosure.



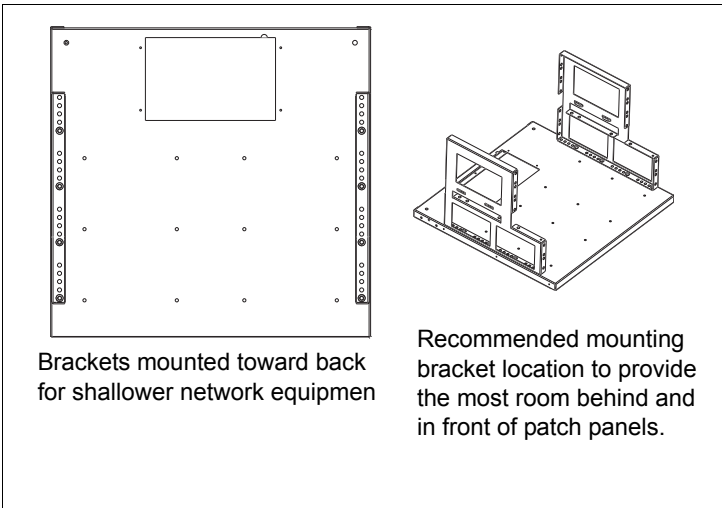
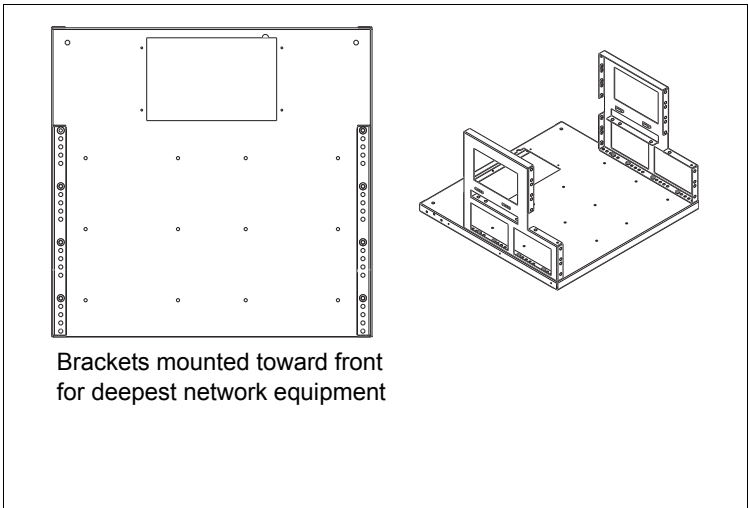
Ceiling Tile Cutout

Place the included ceiling tile cutout template over the removed ceiling tile. Secure the template with tape or thumb tacks. Trace the outline with a utility knife to extract the necessary shape to insert into the enclosure.



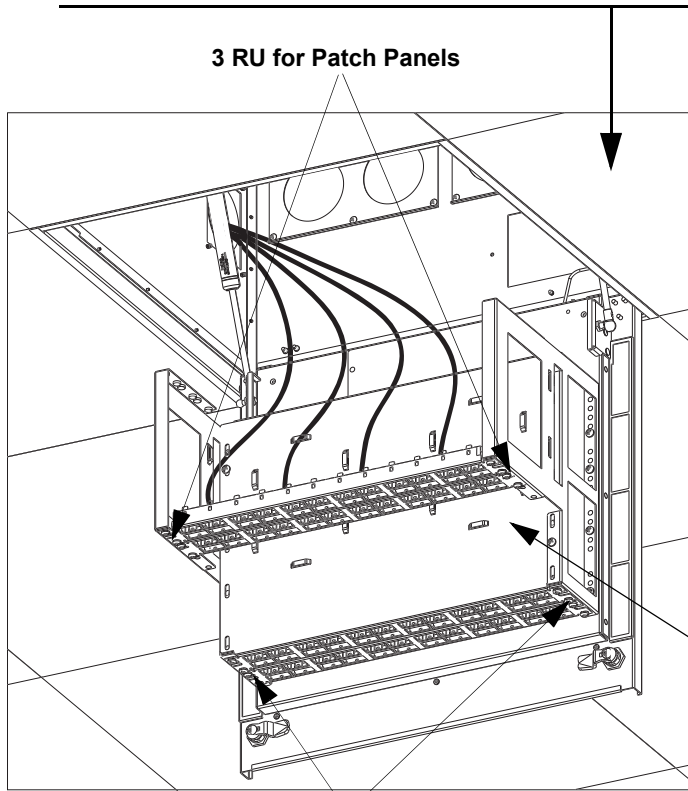
Network Equipment Installation

Adjust the brackets forward or backward to accommodate the desired depth for the intended network equipment. Shown below are two examples of where to attach the mounting brackets, however the brackets can be adjusted in 1/2" increments to better fit desired network active equipment.

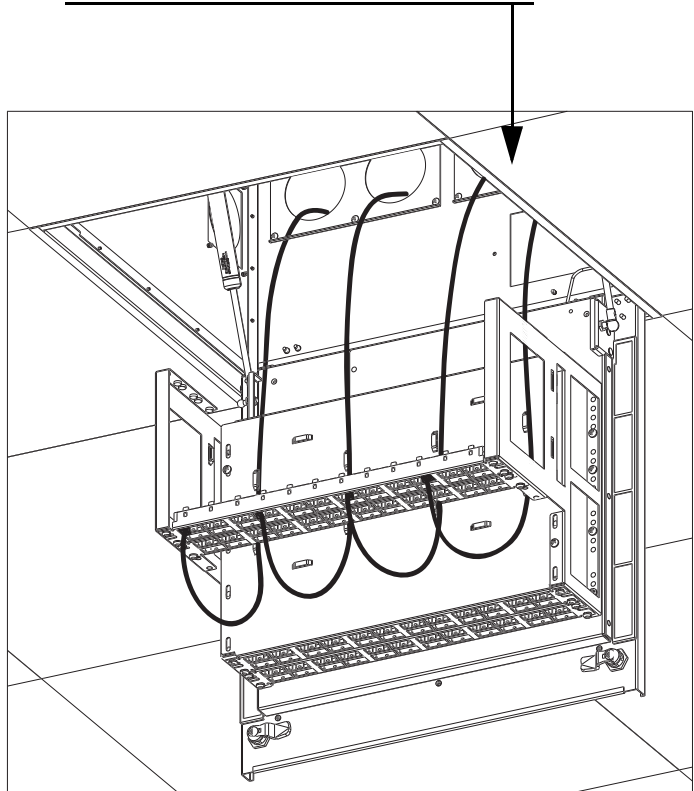


Mount the desired equipment to the recommended mounting locations.

Incoming horizontal cable from telecommunication room



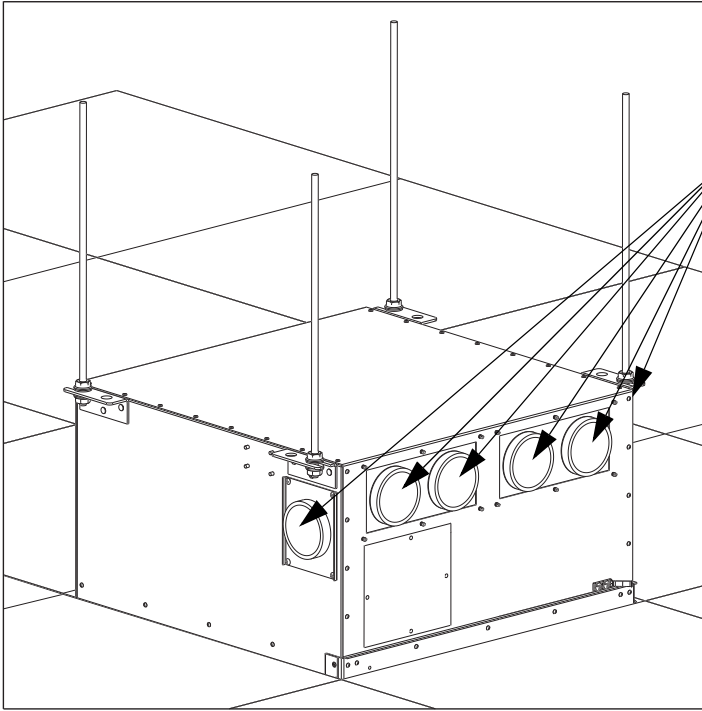
Outgoing horizontal cable for work areas



2 RU for Patch Panels

Integrated Horizontal Slack Manager

Cable Routing and Slack Management



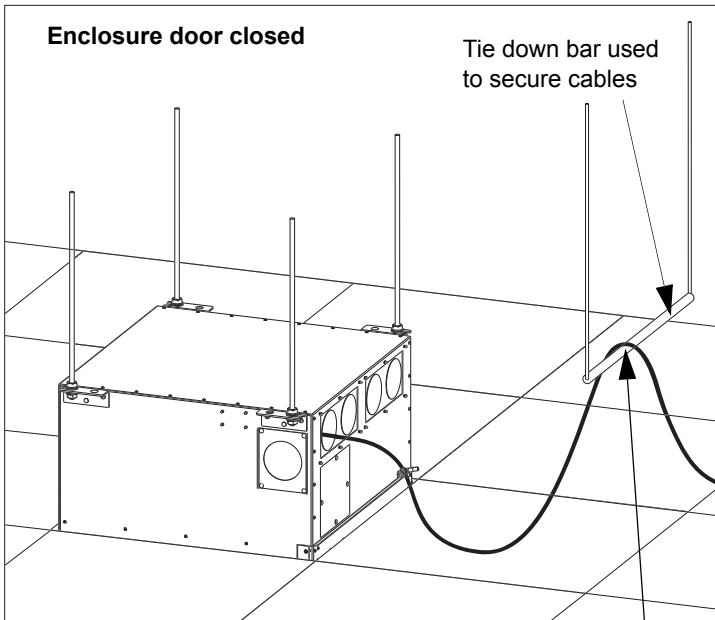
Entry/Exit knockouts

Determine the direction of the incoming and outgoing cables in order to select which entry/exit knockouts to remove. Once removed install the grommets from the inside of the enclosure. (Each grommet is designed to hold 48 Category 6a cables.)

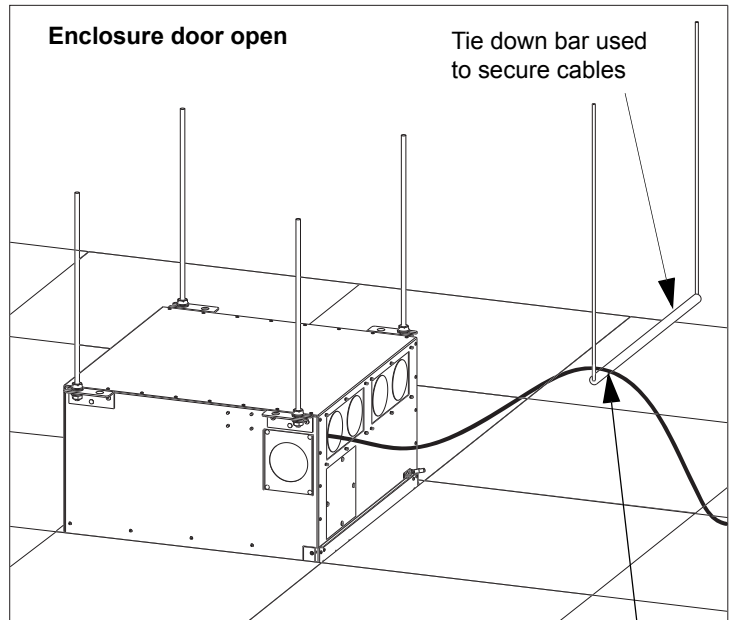
Cable Routing

Utilizing the four back grommets requires a proper slack loop to allow the door to open and close properly. The diagrams below illustrate how to route the cables and where to secure the cables using a tie-down bar. The tie off point should be approximately 24" away from cable entering point of enclosure and 6" above the top.

NOTE: Allow a minimum of 14" of cable slack to allow the door to open and close properly.



Secure cable at this location



Secure cable at this location

For instructions in Local Languages
and Technical Support:

www.panduit.com/resources/install_maintain.asp



www.panduit.com

E-mail:
cs@panduit.com
Fax:
(708)444-6448