

Fiche produit

Article n° Z5.504.5121.0

Passage de câble pour vis PT20 MS 9 6,0-12,0



Article n°	Z5.504.5121.0
EAN	4049088386411
Unité de commande	20 Piece(s)

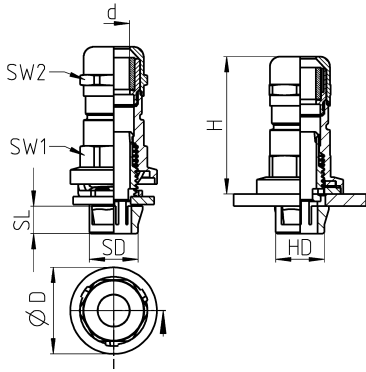
certificats/approbations

Données techniques

**général**

longueur du filetage	9 mm
diamètre Min. du câble	6 mm
diamètre Max. du câble	12 mm
Degré de protection (IP)	IP68
matériel	Laiton
Couleur	Autre
Résistant aux chocs	Oui
Protection du rayon de courbure / manchon d'arrondi	Aucun
Support de traversé avec serre-câble	Aucun
Type de scellement	anneau caoutchouc-/neoprene
presse étoupe détachable	Aucun
Zone multi-joint	Aucun
Type de filetage	Métrique
Sans halogène	Oui
classe d'inflammabilité des matériaux d'isolation selon la norme UL94	Autre

**Dessin technique**

<p style="font-size: 8px;">             200 New drawings will be issued under all delivery conditions. The drawings are the property of the manufacturer. The manufacturer is not responsible for the reproduction of its items in other media without its permission.         </p> <p style="font-size: 8px;">             201 Drawings with the drawing number (part) are not to be used for other parts.         </p> <p style="font-size: 8px;">             202 Drawings with the drawing number (part) are not to be used for other parts.         </p>		<table border="1" style="width: 100%; border-collapse: collapse;"> <tr> <td style="width: 15%;">Wieland Teilenummer part number</td> <td style="width: 10%;">Größe size</td> <td style="width: 10%;">Gewinde Schraubkappe thread type of cap</td> <td style="width: 10%;">Klemmbereich clamping range Ø min-max. mm</td> <td style="width: 10%;">Loch-Ø hole-Ø HD mm</td> <td style="width: 10%;">Schnapp-Ø snap-Ø SD mm</td> <td style="width: 10%;">Schnapplänge snap length SL mm</td> <td style="width: 10%;">Höhe ohne Schnapplänge height without snap length H mm max.</td> <td style="width: 10%;">Verschraubung fitting SW1 mm</td> <td style="width: 10%;">Schraubkappe cap SW2 mm</td> <td style="width: 10%;">Außen-Ø outer-Ø D mm max.</td> <td style="width: 10%;">Innen-Ø inner-Ø d mm</td> </tr> <tr> <td>Z5.504.5021.0</td> <td>16</td> <td>PG 11</td> <td>5,0-10,0</td> <td>16,2-16,4</td> <td>16,0</td> <td>9,0</td> <td>45,0</td> <td>20,0</td> <td>20,0</td> <td>28,3</td> <td>Ø10,4</td> </tr> <tr> <td>Z5.504.5121.0</td> <td>20</td> <td>PG 13,5</td> <td>6,0-12,0</td> <td>20,2-20,4</td> <td>20,0</td> <td>9,0</td> <td>44,0</td> <td>22,0</td> <td>22,0</td> <td>32,3</td> <td>Ø12,4</td> </tr> </table>	Wieland Teilenummer part number	Größe size	Gewinde Schraubkappe thread type of cap	Klemmbereich clamping range Ø min-max. mm	Loch-Ø hole-Ø HD mm	Schnapp-Ø snap-Ø SD mm	Schnapplänge snap length SL mm	Höhe ohne Schnapplänge height without snap length H mm max.	Verschraubung fitting SW1 mm	Schraubkappe cap SW2 mm	Außen-Ø outer-Ø D mm max.	Innen-Ø inner-Ø d mm	Z5.504.5021.0	16	PG 11	5,0-10,0	16,2-16,4	16,0	9,0	45,0	20,0	20,0	28,3	Ø10,4	Z5.504.5121.0	20	PG 13,5	6,0-12,0	20,2-20,4	20,0	9,0	44,0	22,0	22,0	32,3	Ø12,4
Wieland Teilenummer part number	Größe size	Gewinde Schraubkappe thread type of cap	Klemmbereich clamping range Ø min-max. mm	Loch-Ø hole-Ø HD mm	Schnapp-Ø snap-Ø SD mm	Schnapplänge snap length SL mm	Höhe ohne Schnapplänge height without snap length H mm max.	Verschraubung fitting SW1 mm	Schraubkappe cap SW2 mm	Außen-Ø outer-Ø D mm max.	Innen-Ø inner-Ø d mm																											
Z5.504.5021.0	16	PG 11	5,0-10,0	16,2-16,4	16,0	9,0	45,0	20,0	20,0	28,3	Ø10,4																											
Z5.504.5121.0	20	PG 13,5	6,0-12,0	20,2-20,4	20,0	9,0	44,0	22,0	22,0	32,3	Ø12,4																											
		Wanddicke/wall thickness nach/according to		0,5-4 mm DIN EN 62444																																		
		Material Verschraubung/material fitting		Messing/brass / PA 6 UL94-V2																																		
		Material Verschraubungsdichtung/material seal of fitting		CR																																		
		Material Gehäusedichtung/material seal of housing		NBR																																		
		Schutzklasse nach/protection class according to		DIN EN 60529 IP 66-68																																		
frei von lackbenetzungsstörenden Substanzen (Silikonfrei) free from substances that prevent paint adhesion (silicon free)																																						
Weitere Daten siehe KATALOG oder eKatalog additional data see CATALOG or eKATALOG						<a href="http://www.wieland-electric.com">www.wieland-electric.com</a> <a href="http://eshop.wieland-electric.com">eshop.wieland-electric.com</a>																																
Toleranzierung Size ISO 14405 © / Tolerance system Size ISO 14405 © / jskyes <input checked="" type="checkbox"/> Stoffverbot und Deklarationsliste nach VW 50200 ist enthalten (This ISO standard describes the envelope principle. According to the envelope principle the deviations of form and position are limited by the size tolerances) (Conformity with Wieland document VW 50200 = list of prohibited / prohibited hazardous substances) to be declared)																																						
Freiertoleranz nach General tolerance <input checked="" type="checkbox"/> Z-Drawing, keine manuellen Änderungen allowed <input type="checkbox"/> Verwendung first use Blatt: 1 von 1 Sheet: 1 of 1																																						
		Werkstoff / Material 1.1		Tag/Date 12.04.2017		Name Schmitt J.		Zeichnung Nr. / Drawing No. T Z5.504.5021.0 13K																														
		Maßstab / Scale 1:1		Maßstab für / Replacement for Type		Maßße in mm / Dimensions are in mm																																
		Index Änderung / Revision		www.wieland www.wieland-electric.com		KABELVERSCHRAUBUNG Snap-in, ohne Gewinde, Metall Snap-in, without thread, metal																																