

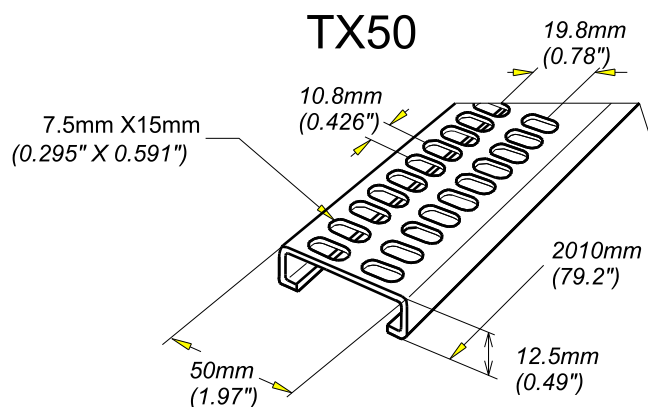
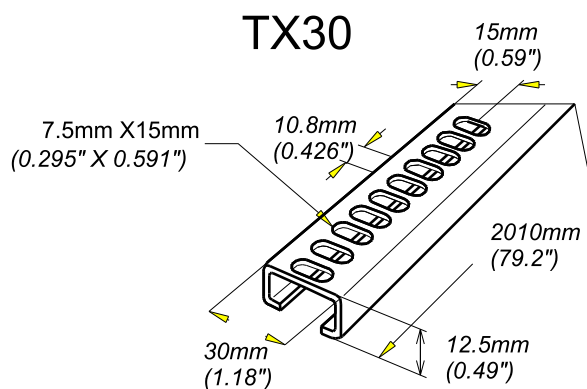
TELEX RAILS TX
TELEX RAIL TX

316L
316L

legrand | CABLE MANAGEMENT

FT0139-4

03 / 16



REF	CODE	POIDS / WEIGHT (Kg/m) (lb/ft)
TX 30	830 014	0.400 / 0.269
TX 50	830 024	0.480 / 0.323

EPAISSEUR / THICKNESS 1.0 / 0.04"	NORMES / STANDARD
MATIERE / MATERIAL X2 Cr Ni Mo 17-12-2	EN 10088-2
PROTECTION / COATING	