



Product designation

Product type designation

Number of poles

Operating voltage type

Changeover  
Switch  
GA  
Nr. 3  
AC

**Contact characteristics**

IEC Conventional free air thermal current I<sub>th</sub> A 25

Rated insulation voltage U<sub>i</sub> IEC/EN V 1000

Rated impulse withstand voltage U<sub>imp</sub> kV 8

Operating current I<sub>e</sub>

AC21A	400V	A	25
	500V	A	25
	690V	A	25

AC22A	400V	A	25
	500V	A	25
	690V	A	25

AC23A	400V	A	25
	500V	A	25
	690V	A	25

Power dissipation per pole max W 0.4

Rated operational power AC23A	400V	kW	11
	690V	kW	22

Conditional short-circuit current (rms) kA 10

Short-circuit protection with fuse Class/A gG25

Making capacity AC23A 400V A 400

Breaking capacity AC23A 400V A 320

Mechanical life cycles 100000

Electrical life AC21A cycles 100000

**Mechanical features**

Operating position

normal  
allowable      Vertical plan  
Any

Fixing

Screw / DIN rail  
35mm

Terminals

type		Pillar
width	mm	5.6
height	mm	6.5
screw		M4
tool		Phillips 2

Tightening torque for terminals

min	Nm	1.8
max	Nm	2
min	Ibin	16
max	Ibin	18

Conductor section

IEC min	mm <sup>2</sup>	0.75
IEC max	mm <sup>2</sup>	16
AWG/kcmil min		18
AWG/kcmil max		6

Weight

g	350
---	-----

Ambient conditions

Operating temperature

min	°C	-25
max	°C	+55

Storage temperature

min	°C	-40
max	°C	+70

Max altitude

m	3000
---	------

Resistance & Protection

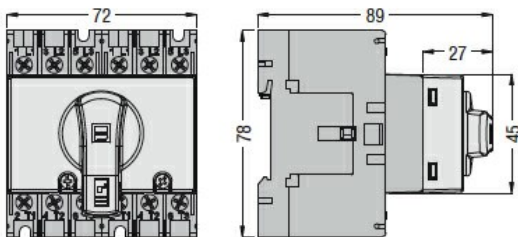
Frontal IP degree

IP20

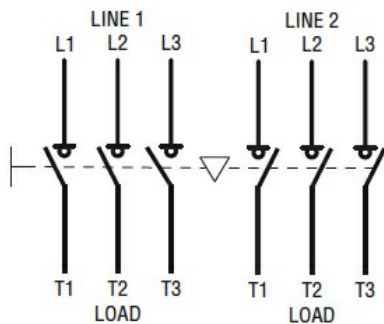
Pollution degree

3

Dimensions



Wiring diagrams



ETIM classification

ETIM 8.0

EC000216 -  
Switch  
disconnecter