



LED integrated monoblock pilot lights steady light LPM

Product designation

Product type designation

**General characteristics**

Colour	Orange
Type of positions	Monoblock pilot light
Material	Polyamide
IEC degree of protection	IP66, IP67 and IP69K on front; IP20 on rear

**Electrical characteristics**

Rated frequency	Hz	50-60
Supply voltage (AC)	V	12 (-15% ... +10% Ue)
Supply voltage (DC)	V	12 (-15% ... +10% Ue)

**Operations**

Electrical life	hours	>30000
-----------------	-------	--------

**Mechanical features**

Tightening torque for terminals max	Nm	0.8
Terminals screw	Screw termination	

Conductor section

AWG/kcmil conductor section

min	18
max	16

IEC

max	mm <sup>2</sup>	2.5
-----	-----------------	-----

Fixing

Ring fixing  
Ø22mm

Weight

g 21

**UL technical data**

UL degree of protection

Type1, 2, 3R, 4, 4X, 12, 12K on front

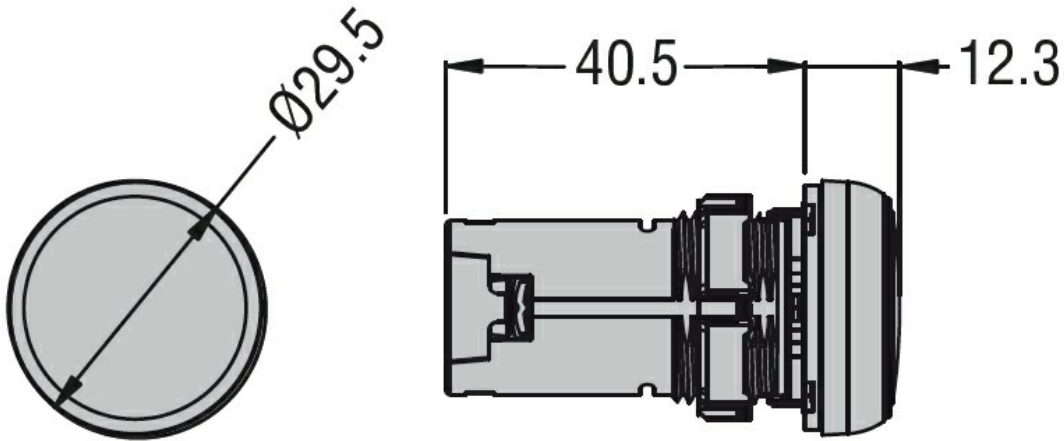
**Ambient conditions**

Temperature

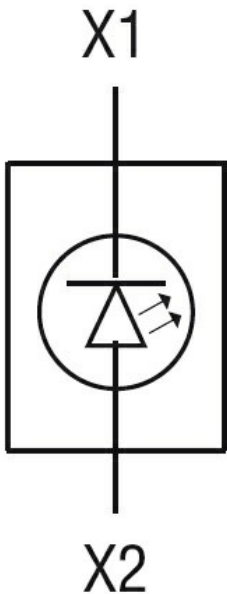
Operating temperature

min	°C	-25
max	°C	+70

**Dimensions**



### Wiring diagrams



### Certifications and compliance

#### Compliance

CSA C22.2 n° 14  
IEC/EN/BS 60947-1  
IEC/EN/BS 60947-5-1  
UL508

#### Certificates

cULus  
EAC

### ETIM classification

ETIM 8.0

EC000272 -  
Indicator light  
complete