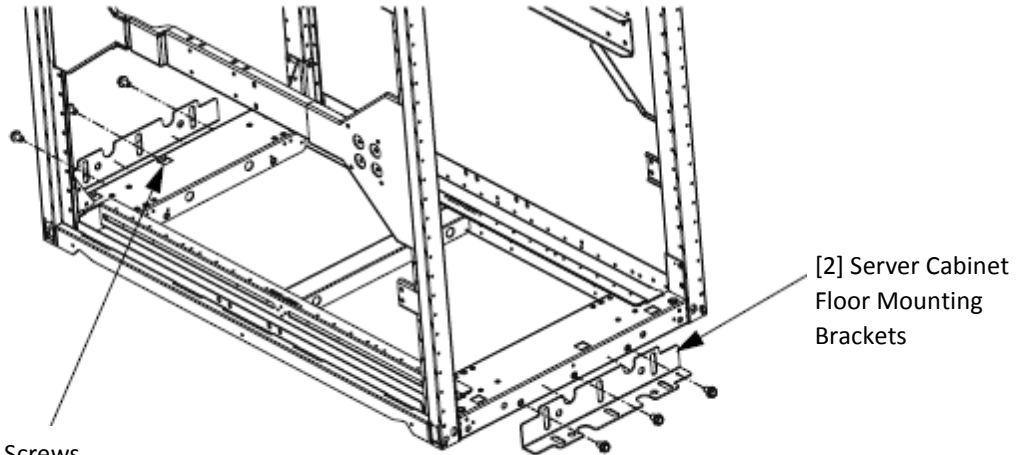


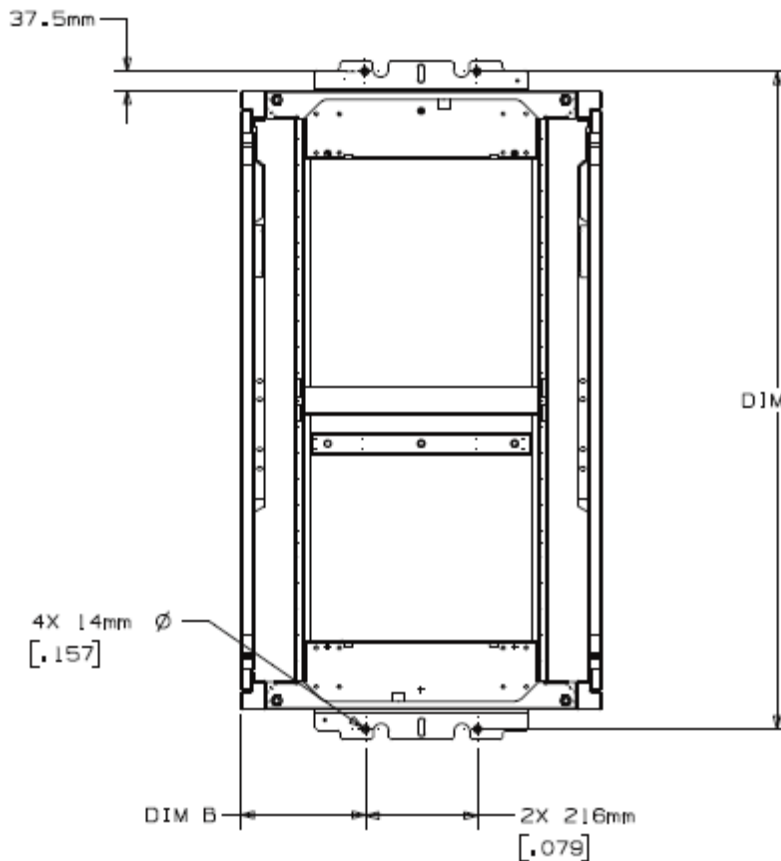
SMB-KIT INSTALLATION

Server Cabinet Floor Mounting Brackets:

- Ensure that [4] leveling legs are fully retracted (Note: Leveling legs ship in retracted position)
- Secure [2] "Hold Down Brackets" at front and rear of cabinet with supplied hardware
- See Floor Mounting View below for floor mounting dimensions
- Attach the brackets to the floor with appropriate hardware for your type of floor
- Lower [4] leveling legs until they are touching the floor



[6] M10 Hex Head Screws
(use 15mm socket wrench)



DIM A **DIM A:**
 -1070mm deep cabinets: 699mm [27.52"]
 -1200mm deep cabinets: 1265mm [33.51"]

DIM B:
 -600mm wide cabinets: 190mm [7.52"]
 -700mm wide cabinets: 240mm [9.48"]
 -800mm wide cabinets: 299mm [11.46"]

Floor Mounting View