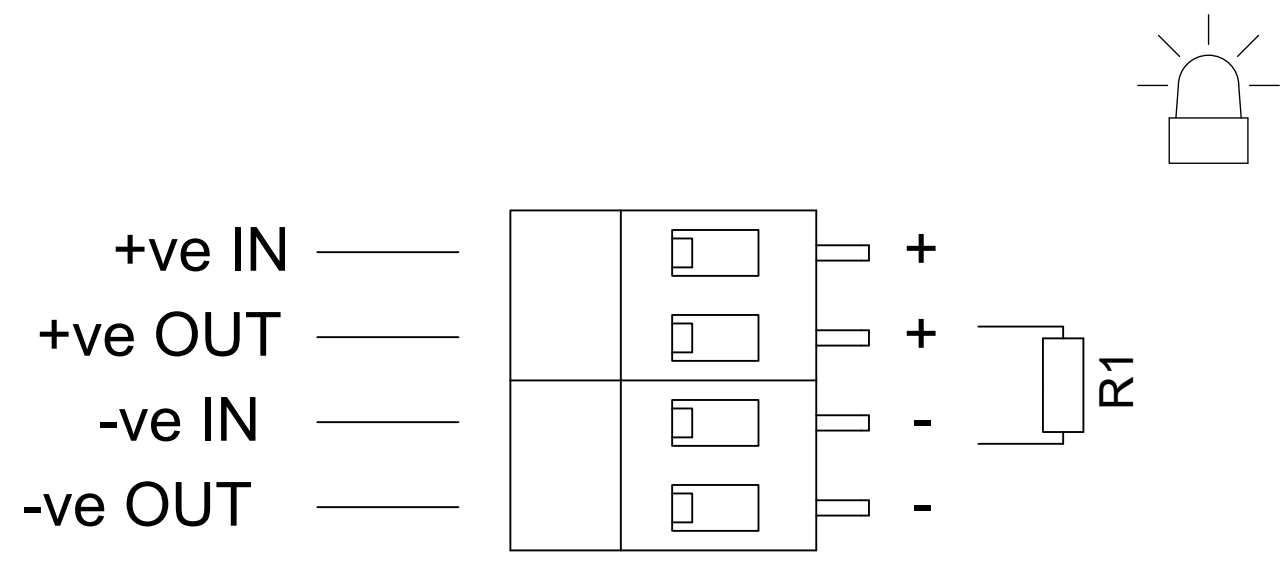


1	2	3	4	5	6	7	8	9	10
							ISSUE	MOD No.	REASON - INITIAL - DATE
							B		RE-DRAWN IN 2D NOTES, TERMINALS & EOL RESISTOR ADDED DAH 17/12/19
							C		NEW PCBA & FORMAT INTRODUCED J.S - 22/03/21
							D		NEW FORMAT INTRODUCED RSR - 28/11/22

DC XENON D1xB2 X05, X10, X15 & 21J UNITS
 Line Monitoring
 Power: +ve & -ve

OPTIONAL LINE MONITORING RESISTOR, CUSTOMER SUPPLIED,
 RECOMMENDED MINIMUM VALUES:
 500Ω MIN, 2W MIN OR 3K3Ω MIN, 0.5W MIN

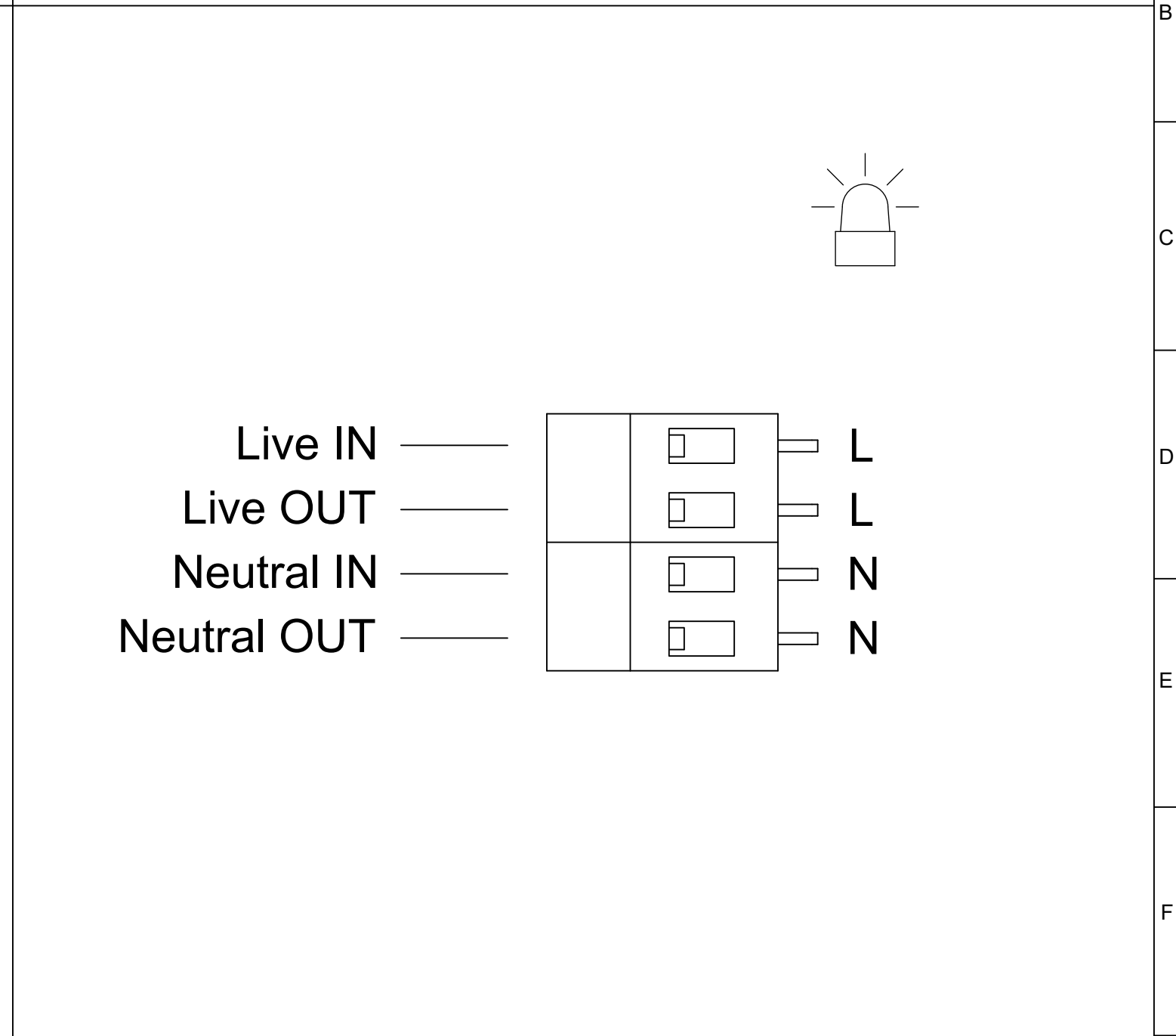
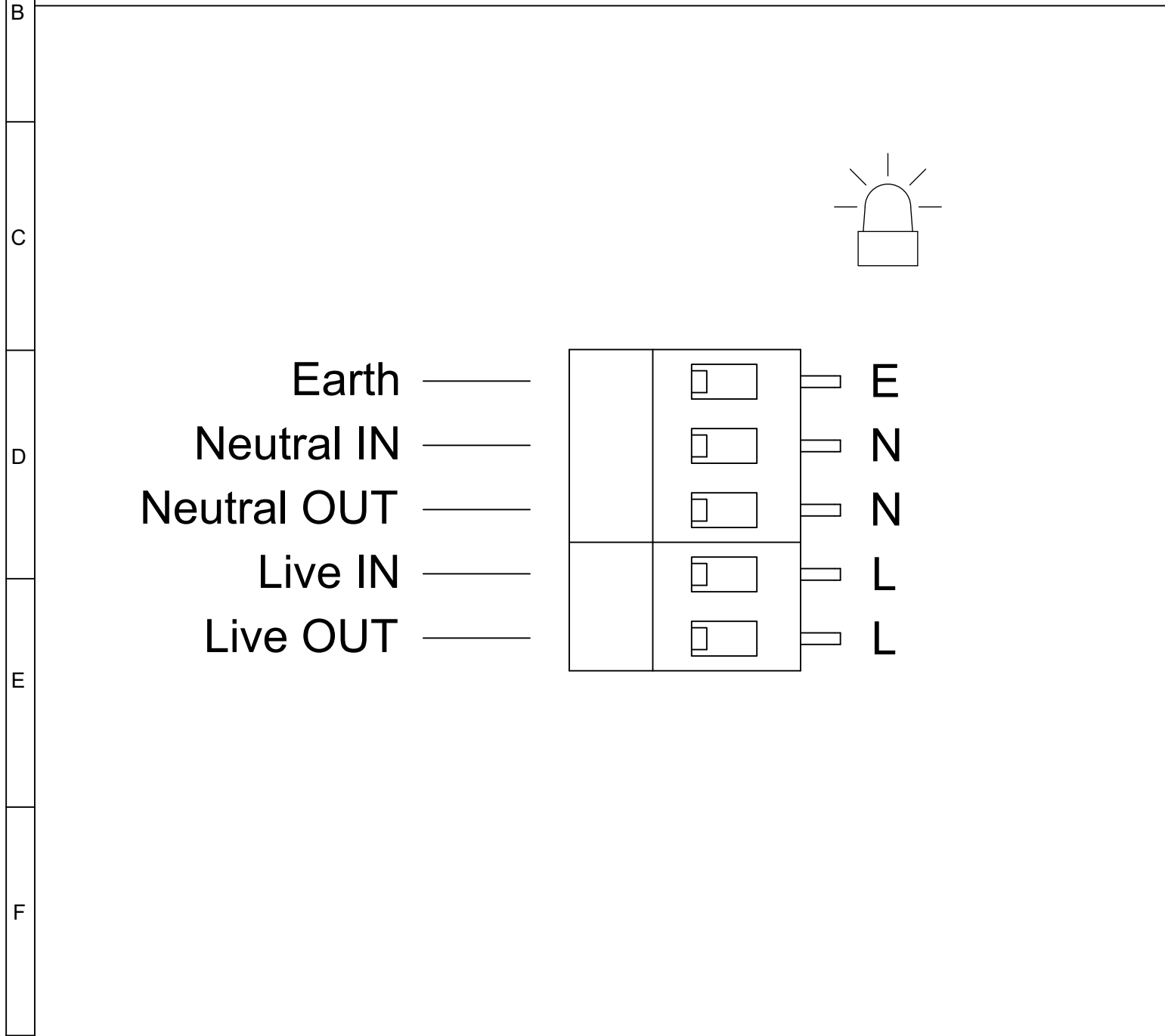



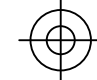
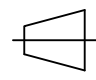
DRAWING TO BS8888:2000 GEOMETRIC TOLERANCES TO ISO1101:1983 LINEAR DIMENSIONAL TOLS ANGULAR DIMENSIONAL TOLS	DRAWN	DATE	SURFACE FINISH	WEIGHT (Kg)	THIS DRAWING AND ANY INFORMATION OR DESCRIPTIVE MATTER THEREIN IS COMMUNICATED IN CONFIDENCE AND IS THE COPYRIGHT PROPERTY OF EUROPEAN SAFETY SYSTEMS LTD. NEITHER THE WHOLE OR ANY EXTRACT MAY BE DISCLOSED, LOANED, COPIED OR USED FOR MANUFACTURING OR TENDERING PURPOSES WITHOUT THEIR WRITTEN CONSENT. © EUROPEAN SAFETY SYSTEMS LTD. AS PER LATEST DATE OF ISSUE SHOWN ABOVE	 EUROPEAN SAFETY SYSTEMS LTD IMPRESS HOUSE MANSELL ROAD ACTON LONDON W3 7QH WWW.E2S.COM	ALL DIMENSIONS IN MM IF IN DOUBT, ASK - DO NOT SCALE		A3
	CHECKED	DATE					MATERIAL	TITLE D1xB2 X05/X10/X15/X21 BEACON WIRING DIAGRAMS	
	STANDARDS	APPROVED	DATE	ALTERNATIVE MATERIAL			SCALE	SHEET	DRAWING NUMBER
D1xB2 BEACONS	R. RAIT	28/11/22					NTS	1 OF 2	D191-06-201

1	2	3	4	5	6	7	8	9	10
							ISSUE	MOD No.	REASON - INITIAL - DATE
							B		RE-DRAWN IN 2D NOTES, TERMINALS & EOL RESISTOR ADDED DAH 17/12/19
							C		NEW PCBA & FORMAT INTRODUCED J.S - 22/03/21
							D		NEW FORMAT INTRODUCED RSR - 28/11/22

AC XENON D1xB2 X05, X10 & X15 UNITS
Power: Live & Neutral

AC XENON GNExB2 X21 UNITS
Power: Live & Neutral



DRAWING TO BS8888:2000 GEOMETRIC TOLERANCES TO ISO1101:1983 LINEAR DIMENSIONAL TOLS ANGULAR DIMENSIONAL TOLS	DRAWN	DATE	SURFACE FINISH	WEIGHT (Kg)	THIS DRAWING AND ANY INFORMATION OR DESCRIPTIVE MATTER THEREIN IS COMMUNICATED IN CONFIDENCE AND IS THE COPYRIGHT PROPERTY OF EUROPEAN SAFETY SYSTEMS LTD. NEITHER THE WHOLE OR ANY EXTRACT MAY BE DISCLOSED, LOANED, COPIED OR USED FOR MANUFACTURING OR TENDERING PURPOSES WITHOUT THEIR WRITTEN CONSENT.	 warning signals EUROPEAN SAFETY SYSTEMS LTD IMPRESS HOUSE MANSELL ROAD ACTON LONDON W3 7QH WWW.E2S.COM	ALL DIMENSIONS IN MM IF IN DOUBT, ASK - DO NOT SCALE		 	A3
	R. RAIT	28/11/22					MATERIAL	TITLE D1xB2 X05/X10/X15/X21 BEACON WIRING DIAGRAMS		
	CHECKED	DATE	ALTERNATIVE MATERIAL	SCALE				SHEET	DRAWING NUMBER	
	R.N.POTTS	28/11/22		NTS				2 OF 2	D191-06-201	
STANDARDS	APPROVED	DATE								
D1xB2 BEACONS	R.N.POTTS	28/11/22								