

DOL-2312-G1M5MA1

Sensor/actuator cable

PLUG CONNECTORS AND CABLES

SICK
Sensor Intelligence.



Ordering information

Type	Part no.
DOL-2312-G1M5MA1	2029200

Other models and accessories → www.sick.com/Sensor_actuator_cable

Detailed technical data

Technical specifications

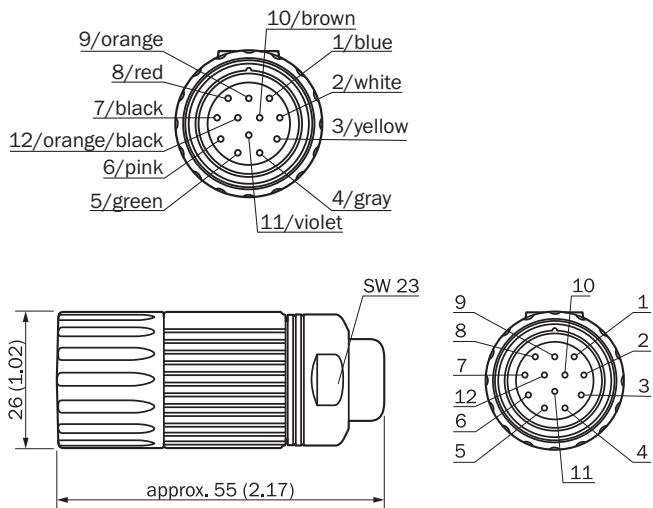
Connection type head A	Female connector, M23, 12-pin, straight				
Connection type head B	Flying leads				
Connector material	TPU				
Connector color	Black				
Locking nut material	Brass, nickel-plated				
Cable	1.5 m, 12-wire, PUR, halogen-free				
Jacket material	PUR, halogen-free				
Jacket color	Black				
Cable diameter	7.8 mm				
Conductor cross section	4 x 2 x 0.25 mm ² + 2 x 0.5 mm ² + 2 x 0.14 mm ²				
Shielding	Shielded				
Bending radius	<table border="0"> <tr> <td>Flexible use</td> <td>> 15 x cable diameter</td> </tr> <tr> <td>Stationary position</td> <td>> 5 x cable diameter</td> </tr> </table>	Flexible use	> 15 x cable diameter	Stationary position	> 5 x cable diameter
Flexible use	> 15 x cable diameter				
Stationary position	> 5 x cable diameter				
Reference voltage	≤ 160 V				
Current loading	7 A				
Signal type	SSI, RS-422, TTL, HTL				
Enclosure rating	IP66/ IP67				
Operating temperature	<table border="0"> <tr> <td>Flexible use</td> <td>-30 °C ... +90 °C</td> </tr> <tr> <td>Stationary position</td> <td>-20 °C ... +130 °C</td> </tr> </table>	Flexible use	-30 °C ... +90 °C	Stationary position	-20 °C ... +130 °C
Flexible use	-30 °C ... +90 °C				
Stationary position	-20 °C ... +130 °C				

Classifications

ECLASS 5.0	19030312
ECLASS 5.1.4	19030312
ECLASS 6.0	27060304
ECLASS 6.2	27060304
ECLASS 7.0	27060304
ECLASS 8.0	27060304
ECLASS 8.1	27060304
ECLASS 9.0	27060304

ECLASS 10.0	27060304
ECLASS 11.0	27060304
ECLASS 12.0	27060304
ETIM 5.0	EC000830
ETIM 6.0	EC000830
ETIM 7.0	EC003249
ETIM 8.0	EC003249
UNSPSC 16.0901	26121604

Dimensional drawing (Dimensions in mm (inch))



- ① Blue
- ② White
- ③ Yellow
- ④ Gray
- ⑤ Green
- ⑥ Pink
- ⑦ Black
- ⑧ Red
- ⑨ Orange
- ⑩ Brown
- ⑪ Purple
- ⑫ Orange/black

SICK AT A GLANCE

SICK is one of the leading manufacturers of intelligent sensors and sensor solutions for industrial applications. A unique range of products and services creates the perfect basis for controlling processes securely and efficiently, protecting individuals from accidents and preventing damage to the environment.

We have extensive experience in a wide range of industries and understand their processes and requirements. With intelligent sensors, we can deliver exactly what our customers need. In application centers in Europe, Asia and North America, system solutions are tested and optimized in accordance with customer specifications. All this makes us a reliable supplier and development partner.

Comprehensive services complete our offering: SICK LifeTime Services provide support throughout the machine life cycle and ensure safety and productivity.

For us, that is “Sensor Intelligence.”

WORLDWIDE PRESENCE:

Contacts and other locations –www.sick.com