



LDS5016

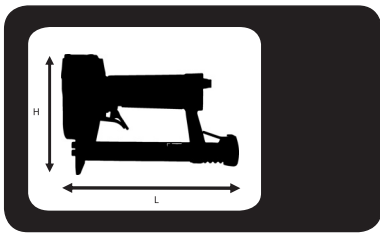
FINE WIRE STAPLER



www.paslode.org



NEVER STOP BUILDING



LDS5016

		A = 148 mm B = 223 mm C = 43 mm
		kg = 0,9 kg

<p>Max. = 6bar</p> <p>Min. = 4bar</p>	<p>EN 12549 +En ISO 4871</p>	$L_{wA,1s,1m}$ = 93,7 dBA
		$L_{pA,1s}$ = 84,3 dBA
<p>0,13 L / staple</p>	<p>EN12096 : 1997</p> <p>ISO 8662-11</p>	$L_{pA,1s,1m}$ = 80,7 dBA
<p>Ps max= 6,0 bar</p>		<p>Vibration < 2,5 m/s²</p>

<p>100x</p>	
<p>Paslode Fastener staple series 50</p>	

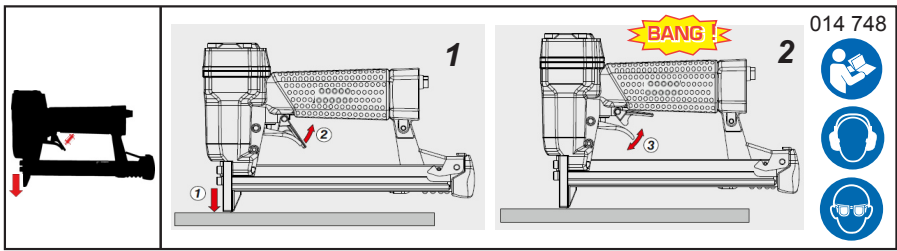


+



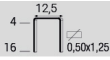
=





Model: LDS5016 Single Actuation
No. 394962

LDS5016
 50 series staples
 Code: 394962



Ps max = 6 bar



ITW Befestigungssysteme GmbH,
 Carl-Zeiss-Str. 19 -
 30966 Hemmingen, Germany



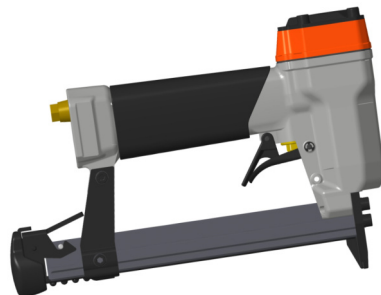
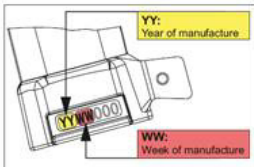
0,5 l oil

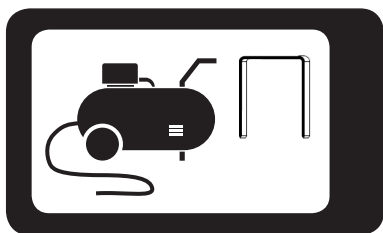
No. 014748 + No. 161104

No. 151299

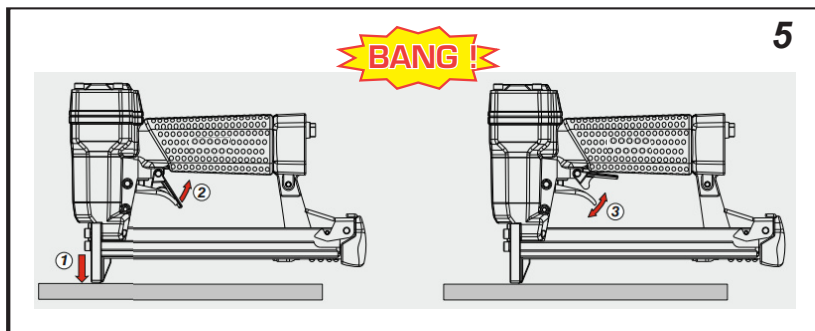
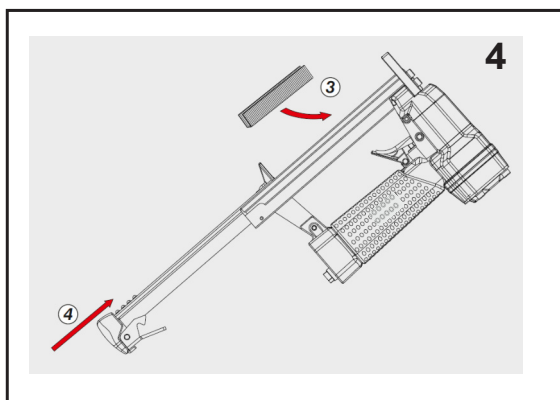
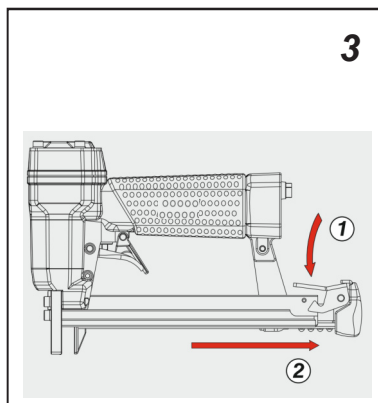
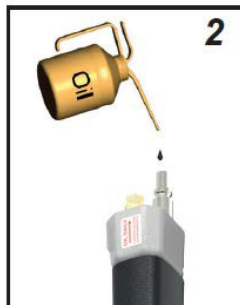
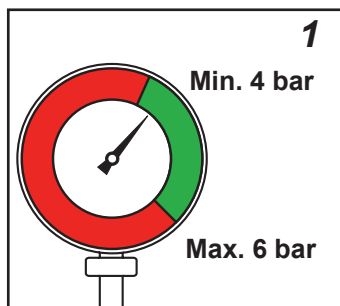
YY/WW....

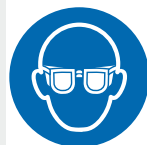
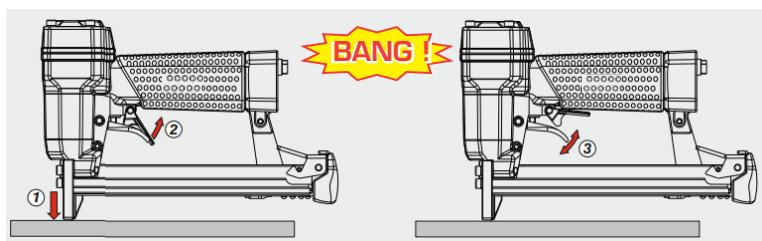
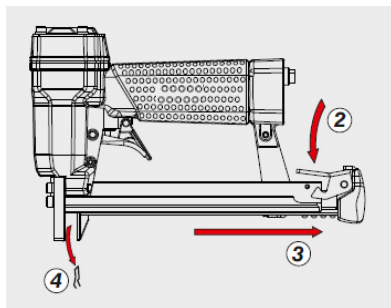
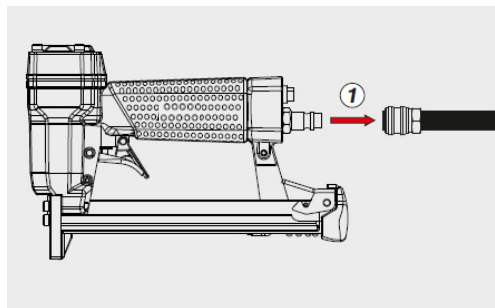
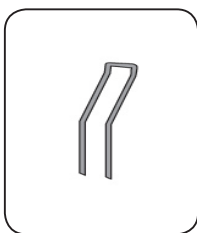
YY= Year of manufacture WW =
 Week of manufacture



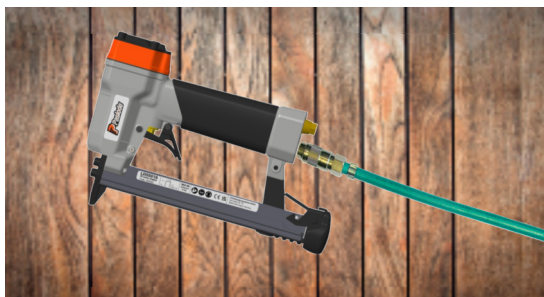


014 748





Resting position/ Ruheposition/ Position de repos/ Ruststand/ Posición de descanso/ Posizione di riposo/ Posição de des-canso/ Pozycja spoczynku/ Klidová poloha/ Nyugalmi állapot/ Положение в нерабочем состоянии/ Θέση αδράνειας/ Hviles-tilling/ Viloläge/ Hvileposisjon/ Lepoasento/ Položaj mirovanja/ Pokojová poloha/ Položaj mirovanja/ التشغيل بالزر التسلسلي (المقيد) / Ramybės padėtis/ Oot easend/ Miera stāvoklis/ Hvildarstaða





ITW Befestigungssysteme GmbH
Carl-Zeiss-Str. 19
30966 Hemmingen, Germany

ITWCP UK Glenrothes
Fife UK KY6 2SW

CODE: 161104 (10/2023)