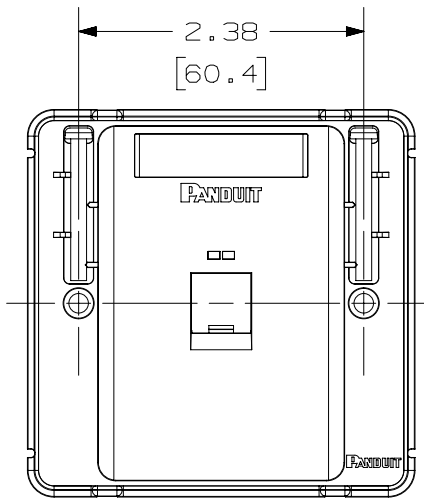
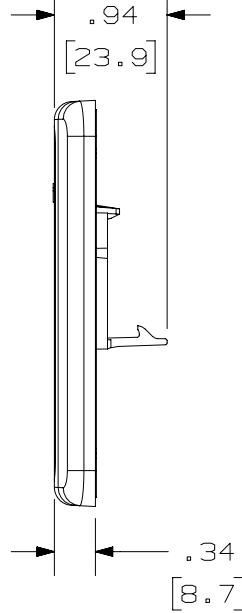
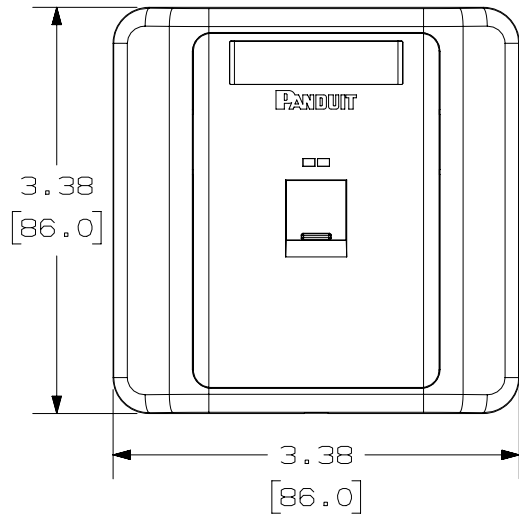


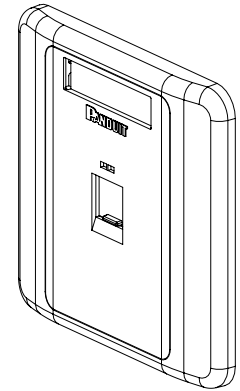
THIS COPY IS PROVIDED ON A RESTRICTED BASIS AND IS NOT TO BE USED IN ANY WAY DETRIMENTAL TO THE INTERESTS OF PANDUIT CORP.



PANDUIT P/N	WEIGHT
CFPL86F1S**	.85 LB/10 PCS (387.0 g/10 PCS)

NOTES:

- SEE CURRENT CATALOG FOR ADDITIONAL PART NUMBER SUFFIXES TO INDICATE COLOR AND OR PACKAGE QUANTITY.
- SEE CATALOG FOR COMPLETE LIST OF PARTS APPLICABLE FOR USE WITH THIS PART.
- DIMENSIONS IN [ ] ARE IN METRIC.
- PART INCLUDES:
  - 1- FACEPLATE
  - 1- FACEPLATE COVER
  - 1- LABEL
  - 1- LABEL COVER
  - 2- M4-0.7X25mm PAN HEAD MOUNTING SCREW



PART NUMBER		CFPL86F1S**	
TITLE			
MINI-COM 1 POSITION 86mm X 86mm FLAT SHUTTERED FACEPLATE			
CUSTOMER DRAWING			
ITEM REVISION NAME		00447NCG/00	
DATASET FILE NAME		00447NCG_DC01/00A	
UNLESS OTHERWISE SPECIFIED, DIMENSIONAL TOLERANCES ARE: IN [mm]		MATERIAL:	
.x ± .xxx ± .010 [.3]		ABS	
.xx ± .03 [.8] ANGLES ±		DRAWING NUMBER:	
THIRD ANGLE PROJECTION		00447NCG-01	
DRAWN BY	DATE	CHK	SCALE
ROJC	6-21-17	JCO	NONE
REV	DATE	BY	CHK
00A	6-21-17	ROJC	JCO
APR	MMR	RELEASED TO PRODUCTION	
ECN	00447NCG-01		
REV	DATE	BY	CHK
00A	6-21-17	ROJC	JCO
APR	MMR	RELEASED TO PRODUCTION	
ECN	00447NCG-01		

D10100DA/14