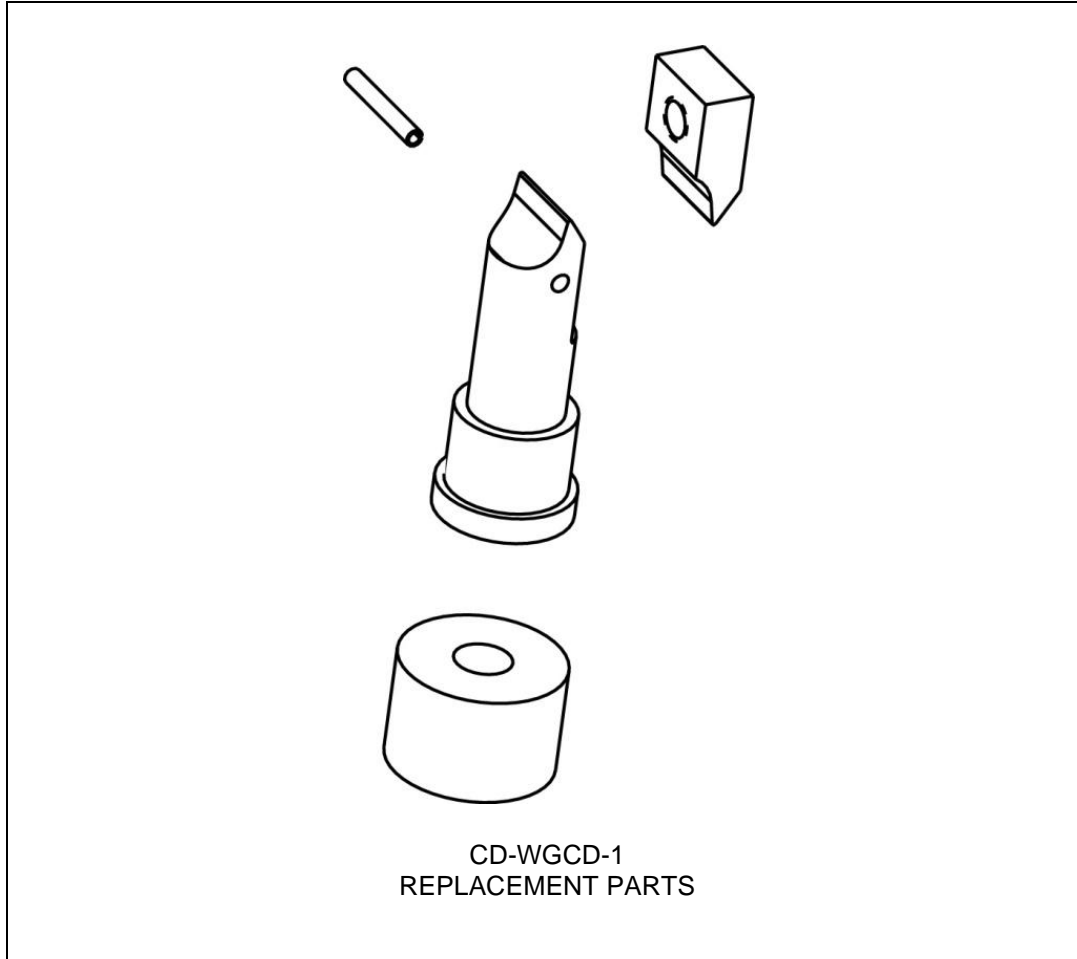


WYR-GRID CUTTING DIE REPLACEMENT INSTRUCTIONS

© Panduit Corp. 2012



TO REDUCE THE RISK OF INJURY, USER
MUST READ INSTRUCTION MANUAL

Website: www.panduit.com
Email: techsupport@panduit.com

EU Website:
www.panduit.com/emea

EU Email: emeatoolservicecenter@panduit.com

PANDUIT

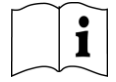
Panduit Corp. • Tinley Park, IL USA
Technical Support
Tel: 888-506-5400, ext. 83255

Panduit Europe • EMEA Service Center
Almelo, Netherlands
Tel: +31 546 580 452 • Fax: +31 546 580 441



TABLE OF CONTENTS

PURPOSE OF THIS MANUAL	1
SAFETY	1
PRECAUTIONS AND GENERAL GUIDELINES	2
IDENTIFICATION	5
REPLACING THE CUTTING DIES.....	5
INSTALLING THE WGCT-HEAD ON HYDRAULIC POWER CHASSIS	7



PURPOSE OF THIS MANUAL

- This manual is intended to familiarize the user with the safe operation and maintenance procedures for this tool.
- Use this tool exclusively for its determined use.
- This instruction manual should be available during the entire life span of the tool.
- **The operator has to ensure the availability of this instruction manual to the end user; and to make sure, that the user has read and understood this instruction manual.**
- Mounting and assembly of connecting material with the help of this tool must only be performed by specially trained personnel.

Replacement manuals are available upon request.

The information contained in this literature is based on our experience to date and is believed to be reliable. It is intended as a guide for use by persons having technical skill at their own discretion and risk. We do not guarantee favorable results or assume any liability in connection with its use. Dimensions contained herein are for reference purposes only. For specific dimensional requirements consult the factory. This publication is not to be taken as a license to operate under, or a recommendation to infringe any existing patents. This supersedes and voids all previous literature, etc.



NOTE: In the interest of higher quality and value, Panduit products are continually being improved and updated. Consequently, pictures may vary from the enclosed product.

SAFETY

Safety is essential in the use and maintenance of Panduit tools and equipment. This manual and any markings on the tool provide information for avoiding hazards and unsafe practices related to the use or service of this tool. Observe all of the safety information provided.

PRECAUTIONS AND GENERAL GUIDELINES

Important Safety Information



SAFETY ALERT SYMBOL

This symbol is used to call your attention to hazards or unsafe practices which could result in an injury or property damage. The signal word, defined below, indicates the severity of the hazard. The message after the signal word provides information for preventing or avoiding the hazard.



DANGER

Immediate hazards which, if not avoided, **WILL** result in severe injury or death.



WARNING

Hazards which, if not avoided, **COULD** result in severe injury or death.



CAUTION

Hazards or unsafe practices which, if not avoided, **MAY** result in injury or property damage.



WARNING

Read and understand all of the instructions and safety information in this manual before operating or servicing this tool. The operator has to ensure the availability of this instruction manual to the end user; and to make sure, that the user has read and understood this instruction manual.

Failure to observe this warning could result in severe injury or death.



WARNING

Electric Shock Hazard:

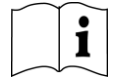
This tool is not insulated. When using this unit on or near energized electrical lines, use proper personal protective equipment.

Failure to observe this warning could result in severe injury or death.



	<p>! WARNING</p> <p>Wear eye protection when operating or servicing this tool.</p> <p>Failure to wear eye protection could result in serious eye injury from flying debris or hydraulic oil.</p>
	<p>! WARNING</p> <p>Skin Injection Hazard:</p> <p>DO NOT use hands to check for oil leaks. High pressure oil easily punctures skin causing serious injury, gangrene, or death. If injured, seek medical attention immediately to remove oil.</p> <p>Failure to observe this warning could result in serious injury, gangrene, or death.</p>
	<p>! WARNING</p> <p>DO NOT use solvents or flammable liquids to clean the tool body. Solvents or flammable liquids could ignite and cause serious injury or property damage.</p>
	<p>! WARNING</p> <p>Cutting Hazard:</p> <p>Remove battery before changing dies, adapters, or jaws. Keep hands away from the cutting head when cutting.</p> <p>Failure to observe this warning could result in severe injury or death.</p>

<p>! WARNING</p>	
<p>DO NOT dispose of batteries in a fire. They will vent fumes and may explode.</p> <p>Failure to observe this warning could result in severe injury from harmful fumes or burns from flying debris.</p>	
<p>! WARNING</p>	
<p>Inspect tool and blades before use. Replace any worn or damaged parts. A damaged or improperly assembled tool can break and strike nearby personnel.</p> <p>Failure to observe this warning could result in severe injury or death.</p>	

**CAUTION**

- DO NOT operate the tool without cutting blades. Damage to the piston or cutting head can result.
- DO NOT twist work piece or tool during cutting operation. Blade failure could result.
- This tool is not designed for continuous use. After 100 cutting cycles, allow the cutting tool to cool for 15 min.
- DO NOT secure this tool in a vise. This tool is designed for hand-held operation.
- This tool may be used in damp or wet environments; however, air-drying is recommended before use if the tool becomes soaked. Damage may result when the tool is operated prior to thorough drying when electrical components are soaked.
- Use this tool for the manufacturer's intended purpose only.

Failure to observe these precautions may result in injury or property damage.

**CAUTION**

DO NOT allow anything to contact the battery terminals.

- DO NOT immerse the batteries in liquid. Liquid may create a short circuit and damage the battery. If batteries are immersed, contact your service center for proper handling.
- DO NOT place the battery into a pocket, tool pouch, or tool box with conductive objects. Conductive objects may create a short circuit and damage the battery.
- DO NOT place a battery on moist ground or grass. Moisture may create a short circuit and damage the battery.

Failure to observe these precautions may result in injury or property damage.

**CAUTION**

- DO NOT store the battery at more than 122°F (50°C) or less than -4°F (-20°C). Damage to the battery can result.
- DO NOT use another manufacturer's charger. Other manufacturers' chargers may overcharge and damage the battery.
- DO NOT attempt to open the battery. It contains no user-serviceable parts.

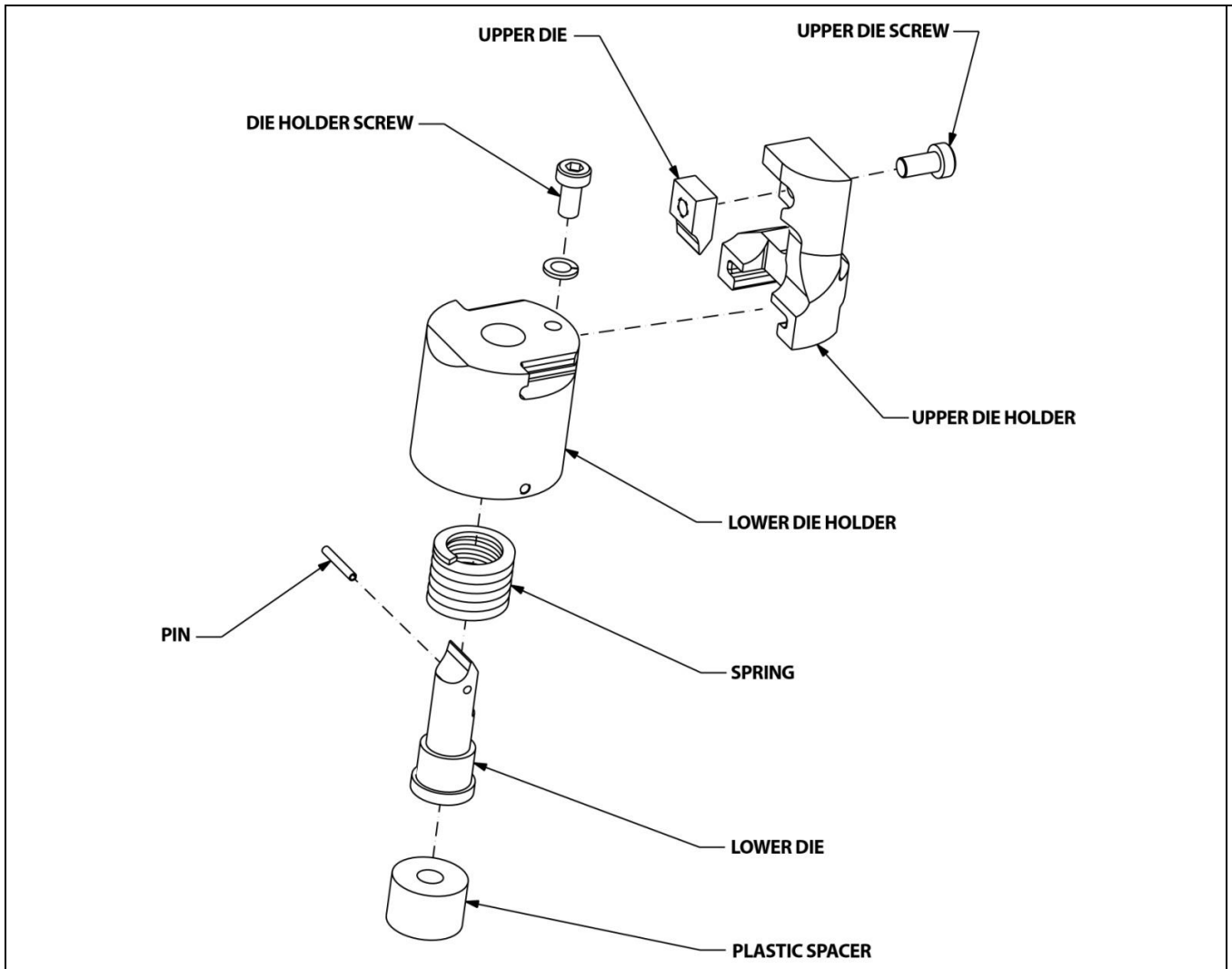
Failure to observe these precautions may result in injury or property damage.

**CAUTION**

DO NOT perform any service or maintenance other than as described in this manual. Injury or damage to the tool may result.

Failure to observe these precautions may result in injury or property damage.

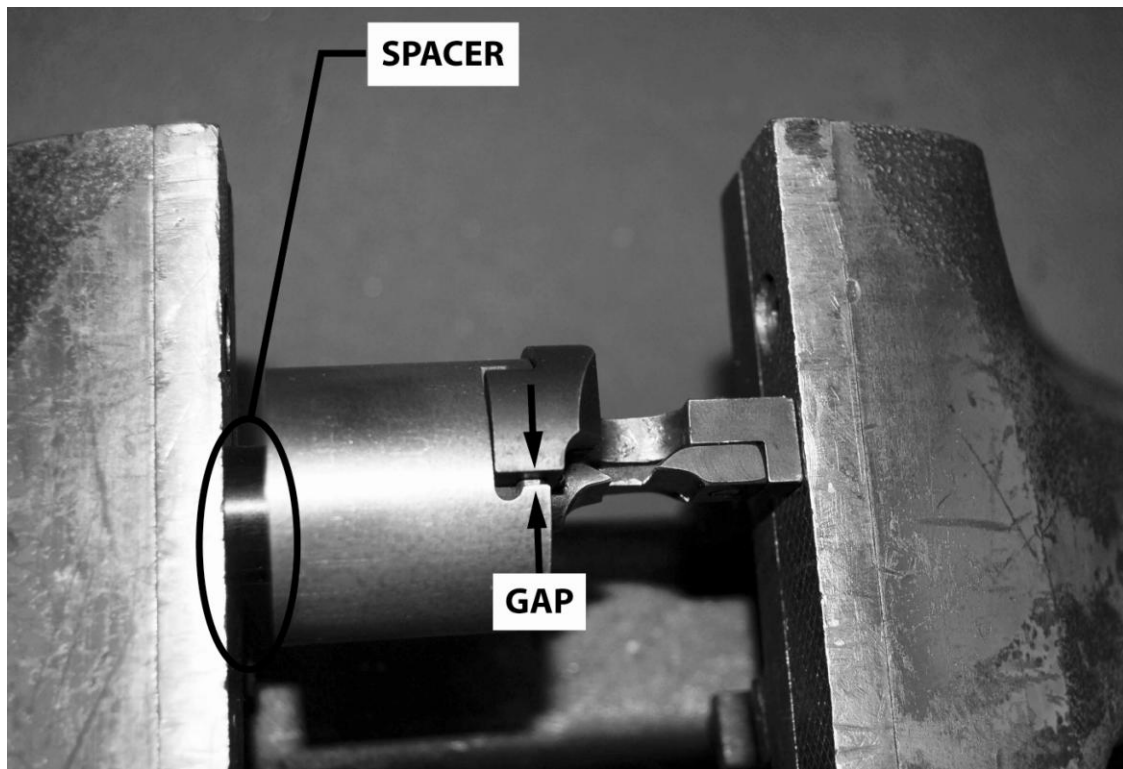
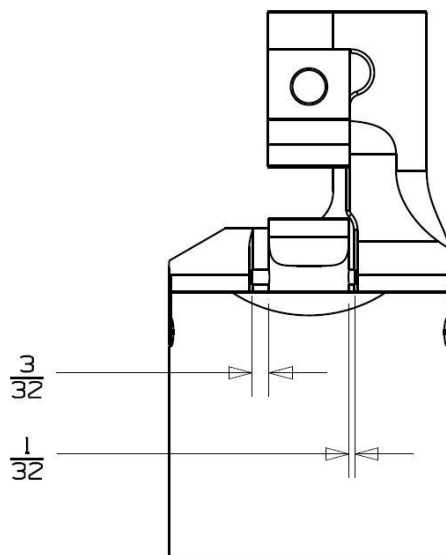
IDENTIFICATION

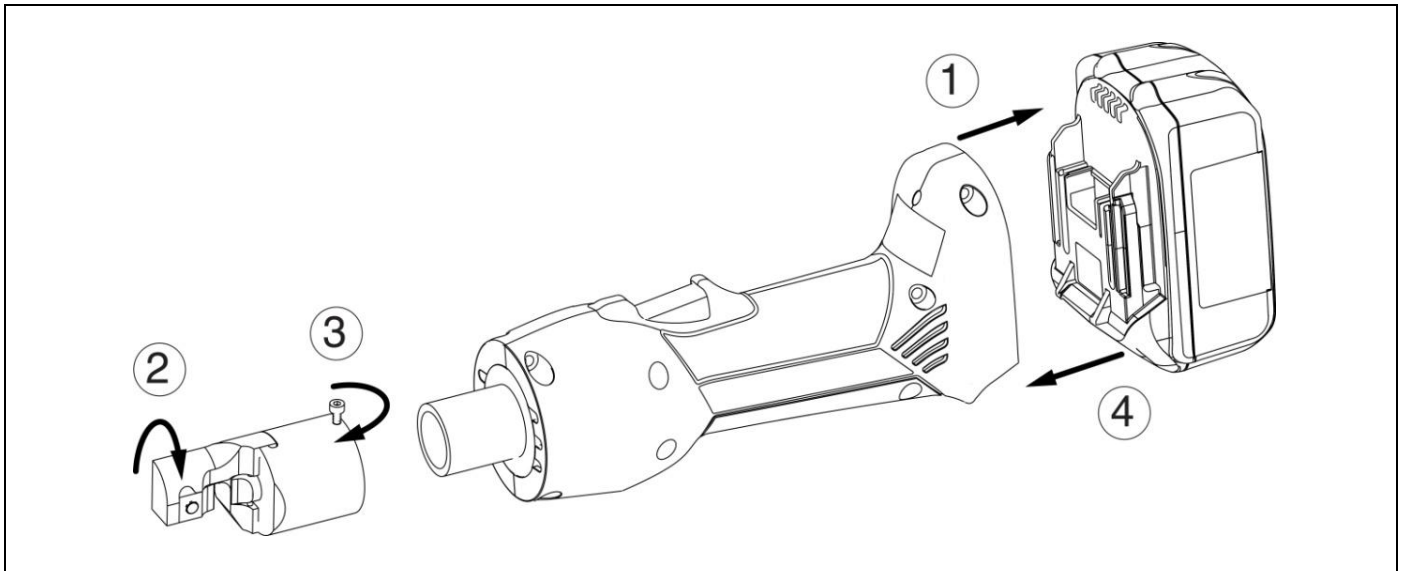


REPLACING THE CUTTING DIES

1. **The CD-WGCD-1 kit includes a replacement Lower Die, Upper Die, Pin and a Plastic Spacer.**
2. Additional tools needed are: vise, 4mm Allen wrench, 1/16" diameter punch, and hammer.
3. Remove the Die Holder Screw and slide the Upper Die Holder out of the Lower Die Holder enough to create a gap (see Figure A) wide enough to expose the Pin.
4. Place the Plastic Spacer under the Lower Die and place the assembly into a vise as shown in Figure A.
5. Compress the vise jaws until the spacer is forced completely into the Lower Die, and the bottom surface of the Lower Die contacts the vise jaw.
6. Using a 1/16" diameter punch, tap out the Pin from the Lower Die. Discard the Pin.
7. Carefully loosen the jaw. Note that the assembly is spring loaded and some parts may be ejected as the load is removed.
8. Replace the Lower Die (note the orientation).
9. Using the Plastic Spacer and vise to compress the screw, force the Lower Die into the Lower Die Holder, the same way as was used to remove the Lower Die.

10. Tap a new Pin into the new Upper Die. Note that the Pin is not installed symmetrically in the Lower Die (see Figure B).
11. Apply Loctite to the threads of the Die Holder Screw. Secure the Upper and Lower Die Holders with the Die Holder Screw.
12. Remove the Upper Die Screw and remove the Upper Die.
13. Apply Loctite to the threads of the Upper Die Screw. Secure the new Upper Die (note orientation) to the Upper Die Holder with the Upper Die Screw.

**Figure A****Figure B**



INSTALLING THE WGCT-HEAD ON HYDRAULIC POWER CHASSIS

1. Remove the battery.
2. Thread the WGCT-HEAD down completely onto the male thread of the hydraulic power chassis.
3. Apply Loctite® (included) to threads of head locking screw. Secure the head locking screw. Be sure that the WGCT-HEAD rotates freely approximately 350°.
4. Reinstall the battery.
5. Press the trigger to verify that the cutting dies actuate.

Loctite® is a registered trademark of the Henkel Corporation