



LFV230-XXHCLTPM0873

LFV200

VIBRATING LEVEL SWITCH

SICK
Sensor Intelligence.



Illustration may differ



Ordering information

| Type | Part no. |
|---------------------|----------|
| LFV230-XXHCLTPM0873 | 6071291 |

Other models and accessories → www.sick.com/LFV200

Detailed technical data

Features

| | |
|------------------------------|---|
| Medium | Fluids |
| Measurement | Switch |
| Probe length | 873 mm |
| Process pressure | -1 bar ... 64 bar |
| Process temperature | -40 °C ... +150 °C |
| Fill material density | 0.7 g/cm ³ ... 2.5 g/cm ³ |

Performance

| | |
|-----------------------------------|--------------------------|
| Accuracy of sensor element | ± 2 mm |
| Reproducibility | ≤ 1 mm |
| Viscosity | 0.1 mPas ... 10,000 mPas |
| Resolution | ≤ 1 mm |
| Response time | 500 ms |
| MTBF | 1,25*10 ⁷ h |

Electronics

| | |
|-------------------------------|--------------------------------|
| Supply voltage | 9.6 V DC ... 35 V DC |
| Residual ripple | ≤ 5 V _{pp} |
| Power consumption | < 10 mA |
| Initialization time | < 2 s |
| VDE protection class 2 | ✓ |
| Connection type | M12 round connector x 1, 4-pin |
| Output signal | Transistor output PNP |
| Hysteresis | 2 mm |
| Output current | < 250 mA |
| Inductive load | ≤ 1 H |
| Capacitive load | 100 nF |
| Enclosure rating | IP67 |
| Temperature drift | 0.03 mm/K |

Mechanics

| | |
|---------------------------|--------------------------------------|
| Wetted parts | Stainless steel 1.4404 (Ra ≤ 0,8 μm) |
| Process connection | Triclamp 1" (PN 16, 316L, Ra<0.8μm) |
| Housing material | Stainless steel 1.4404, PEI |

Ambient data

| | |
|--------------------------------------|-------------------|
| Ambient operating temperature | -40 °C ... +70 °C |
| Ambient temperature, storage | -40 °C ... +80 °C |

Classifications

| | |
|-----------------------|----------|
| ECLASS 5.0 | 27273202 |
| ECLASS 5.1.4 | 27273202 |
| ECLASS 6.0 | 27273202 |
| ECLASS 6.2 | 27273202 |
| ECLASS 7.0 | 27273202 |
| ECLASS 8.0 | 27273202 |
| ECLASS 8.1 | 27273202 |
| ECLASS 9.0 | 27273202 |
| ECLASS 10.0 | 27273202 |
| ECLASS 11.0 | 27273202 |
| ECLASS 12.0 | 27273106 |
| ETIM 5.0 | EC002654 |
| ETIM 6.0 | EC002654 |
| ETIM 7.0 | EC002654 |
| ETIM 8.0 | EC002654 |
| UNSPSC 16.0901 | 41111938 |

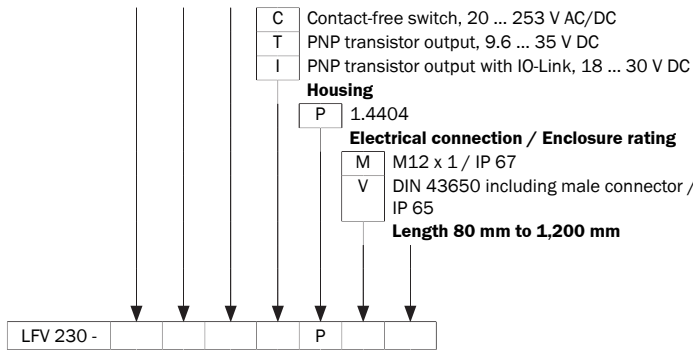
Type code

LFV230 type code

| | |
|--|--|
| Certification | |
| XX | without |
| XA | Overfill protection in acc. with WHG (German Federal Water Act) |
| Execution / Process temperature | |
| S | Standard / -40 °C ... +100 °C |
| T | Expanded / -40 °C ... +150 °C |
| H | Hygiene applications / -40 °C ... +150 °C |
| Process connection / Material | |
| GB | G ¾ A, PN 64 / 316L |
| NB | ¾" NPT, PN 64 / 316L |
| GA | G 1 A, PN 64 / 316L |
| NA | 1" NPT, PN 64 / 316L |
| CL | Tri-clamp 1", PN 16, L, Ra < 0.8 μm |
| CN | Tri-clamp 2", PN 16, L, Ra < 0.8 μm |
| RL | Conical adapter DN 25, DIN 11851 with coupling nut PN 40 / 316L, Ra < 0.8 μm |
| RM | Conical adapter DN 40, DIN 11851 with coupling nut PN 40 / 316L, Ra < 0.8 μm |
| RN | Conical adapter DN 50, DIN 11851 with coupling nut PN 40 / 316L, Ra < 0.8 μm |
| R3 | Thread R ¾, PN 64, 316L, EN10226-1 |
| Electronics | |

LFV230-XXHCLTPM0873 | LFV200

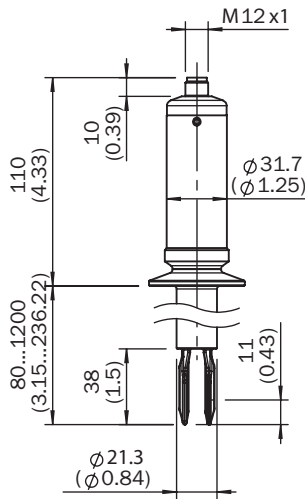
VIBRATING LEVEL SWITCH



Not all variants of the type code can be combined!

[Dimensional drawing](#) (Dimensions in mm (inch))

Dimensional drawing



Recommended accessories

Other models and accessories → www.sick.com/LFV200

| | Brief description | Type | Part no. |
|----------------|---|--------------------|----------|
| Flanges | | | |
| | Welded flange/welded connector, DIN11851-1, DN25 / PN40, Stainless steel 1.4404 | BEF-FL-851D25-LFV2 | 5321527 |
| | Welded flange/welded connector DIN11851-1, DN40 / PN40, Stainless steel 1.4404 | BEF-FL-851D40-LFV2 | 5321459 |
| | Welded flange/welded connector DIN11851-1, DN50 / PN25, Stainless steel 1.4404 | BEF-FL-851D50-LFV2 | 5321528 |
| | Welded flange/welded connector, process connection G 1, Stainless steel 1.4404 | BEF-FL-GEWG10-LFV2 | 4054605 |
| | Welded flange/welded connector, G 3/4 process connection, Stainless steel 1.4404 | BEF-FL-GEWG34-LFV2 | 4054604 |
| | Welded flange/welded connector, process connection Tri-Clamp 1", Stainless steel 1.4404 | BEF-FL-TCLI10-LFV2 | 5321678 |
| | Welded flange/welded connector, process connection Tri-Clamp 2", Stainless steel 1.4404 | BEF-FL-TCLI20-LFV2 | 5321679 |

SICK AT A GLANCE

SICK is one of the leading manufacturers of intelligent sensors and sensor solutions for industrial applications. A unique range of products and services creates the perfect basis for controlling processes securely and efficiently, protecting individuals from accidents and preventing damage to the environment.

We have extensive experience in a wide range of industries and understand their processes and requirements. With intelligent sensors, we can deliver exactly what our customers need. In application centers in Europe, Asia and North America, system solutions are tested and optimized in accordance with customer specifications. All this makes us a reliable supplier and development partner.

Comprehensive services complete our offering: SICK LifeTime Services provide support throughout the machine life cycle and ensure safety and productivity.

For us, that is “Sensor Intelligence.”

WORLDWIDE PRESENCE:

Contacts and other locations –www.sick.com