

# Instruction Sheet

## STI isolatable fuse-carriers

### 230 V neon indicator light (Option)

- Indicates fuse blowing (off in normal operation and lit red after fuse blowing)
- 400 V maxi

### Padlocking device

- Locks the toggle in the "open" or "closed" position. Used with an 8 mm max. diameter padlock (not supplied):
- only one padlock for 1P, 1P+N and 2P products (on the left pole)
- and two padlocks on the 3P and 3P+N products (on every extremity)

### 1P+N, 3P+N

- Phase opening causes compulsory opening of the neutral
- The phase opens before the neutral on isolation and closes after the neutral on circuit closing
- Small dimensions:
  - 1P+N in 18 mm
  - 3P+N in 54 mm

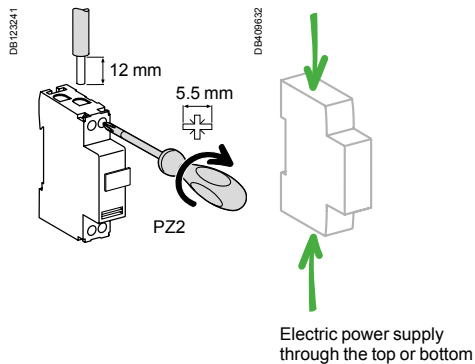
### Clip-on markers

- Used to identify:
  - either on the front face
  - or on the downstream terminals

### Fuse-carrier

- Captive
- Additional housing is provided for a spare fuse

### Connection



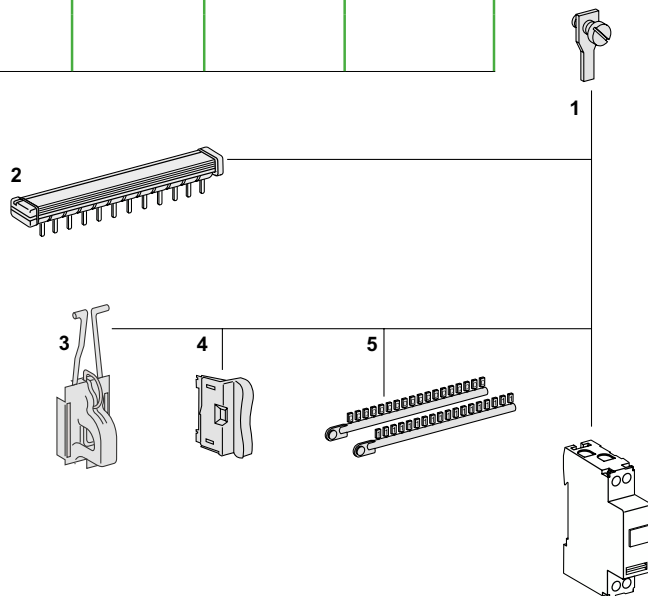
Tightening torque	Without accessory			With accessories
	Copper cables			Screw-on connection for ring terminal
	Rigid	Flexible		
		with ferrule	without ferrule	
2 N.m	DB122845 	DB123554 	DB123553 	DB116789 
	0.75 to 10 mm <sup>2</sup> 2 x 0.75 mm <sup>2</sup> to 2 x 4 mm <sup>2</sup>	0.5 to 6 mm <sup>2</sup> 2 x 0.5 mm <sup>2</sup> to 2 x 4 mm <sup>2</sup>	1 to 6 mm <sup>2</sup> 2 x 1 mm <sup>2</sup> to 2 x 4 mm <sup>2</sup>	Ø 5 mm

1 Screw-on connection for ring terminal 27053

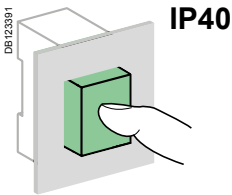
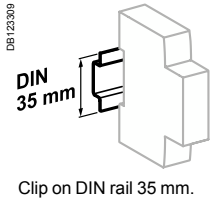
### Mounting accessories

2	Comb busbar	See modules	CA907026, CA907027
3	Padlocking device		15669
4	Neon indicator light	1 piece blister	15668
5	Clip-on terminal markers	See module	CA907012

DB100772



# STI isolatable fuse-carriers (cont.)



## Technical data

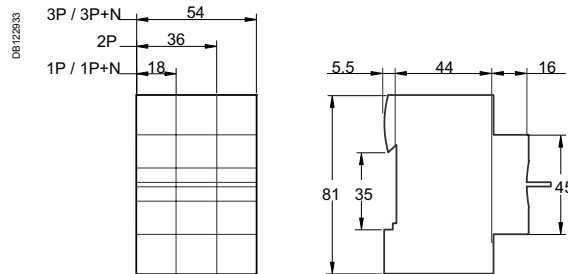
Main characteristics	
Insulation voltage (Ui)	500 V
Breaking capacity according to IEC 60947-2 $\leq 400$ V	8 kA
Pollution degree	3
Operating frequency	50/60 Hz

Additional characteristics	
Degree of protection Device in modular enclosure	IP40 Insulation class II
Operating temperature	-20°C to +60°C
Storage temperature	-40°C to +80°C

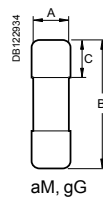
Maximum dissipated power per pole of STI isolatable fuse-carriers			
Fuse cartridge type		I <sub>th</sub>	P <sub>max</sub>
8.5 x 31.5 mm	aM	10 A	2.5 W
	gG	20 A	2.5 W
10.3 x 38 mm	aM	16 A	3 W
	gG	25 A	3 W

Maximum dissipated power per fuse cartridges			
Fuse cartridge type		I <sub>th</sub>	P <sub>max</sub>
8.5 x 31.5 mm	aM	2 to 10 A	0.9 W
	gG	2 to 10 A	2.5 W
10.3 x 38 mm	aM	2 to 25 A	1.2 W
	gG	2 to 25 A	3 W

## Dimensions (mm)



STI



aM, gG fuse cartridge			
Type	A	B	C
8.5 x 31.5 mm	8.5	31.5	10.3
10.3 x 38 mm	10.3	38	10.5