



Product designation	Float switches for dirty water
Product type designation	LVFSN1
Function	Emptying or filling

Counterweights

Counterweight	Internal
Activation angle	15°

Relay outputs

Number of relays	Nr.	1
Contact arrangement		1 changeover contact C/O-SPDT
Rated operational voltage AC (IEC)	VAC	250
Contact ratings		AC1 10A 250VAC AC15 4A 250VAC

Connections

Maximum cable length	m / ft	15
----------------------	--------	----

Ambient conditions

Temperature	Operating temperature	max	°C	+40
	Storage temperature	max	°C	+80

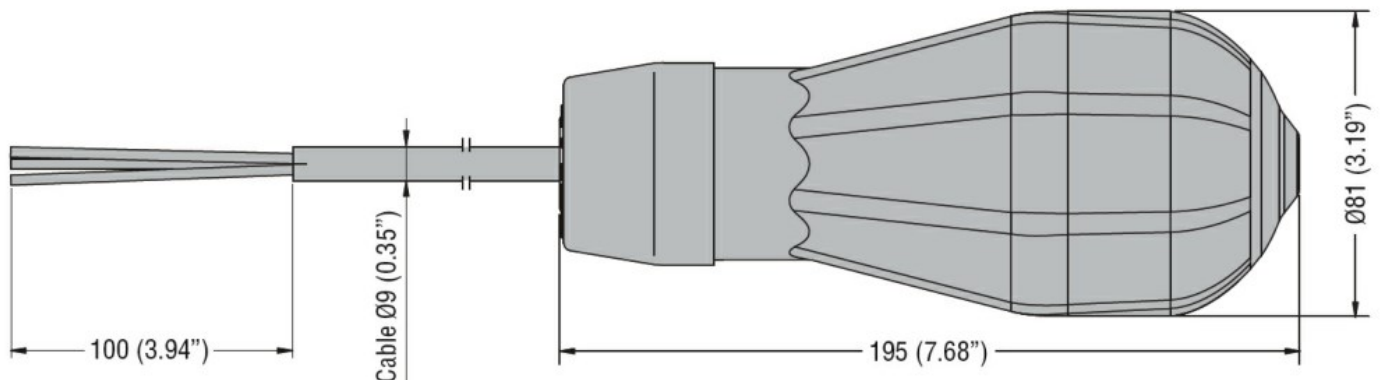
Maximum operating pressure	bar	5
----------------------------	-----	---

Maximum installation depth	m	50
----------------------------	---	----

Housing

Cable material	Neoprene H07 RN-F3X1	
Float casing material	Polypropylene	
IEC degree of protection	IP68	
Weight	g	2460

Dimensions



Certifications and compliance

Compliance

IEC/EN 60730-1

IEC/EN 60730-2-15

Certificates

TÜV-SUD

ETIM classification

ETIM 8.0

EC001447 - (Fill)
level monitoring
relay