



Automatic transfer switch controller for 2 power sources, self-powered, three phase control, with NFC and synoptic ATL500

Product designation

Product type designation

General characteristics

Number of controlled power sources	Nr.	2
Display		No
Expandability		No

AC Power supply

Rated supply voltage AC	VAC	110...240
Operating supply voltage range AC	VAC	90...300VAC L-N
Rated frequency	Hz	50/60
Operating frequency range	Hz	45...66
Immunity time for microbreakings		
	110VAC	ms ≤200
	220VAC	ms ≤400
Power consumption AC (Max)	VA	3.7

Voltage inputs

Maximum rated voltage Ue		415VAC L-L (240VAC L-N)
Measurement range	V	155...519VAC L-L (90...300VAC L-N)
Frequency range	Hz	45...66
Measurement method		True root mean square (TRMS)
Input impedance		
	phase-phase	>1.0MΩ
	phase-neutral	>0.5MΩ
Measuring accuracy		±0.25% f.s.

Wiring mode

Single-phase, two-phase, three-phase with neutral system

Digital inputs

Number of digital input	Nr.	2
Type of digital input		Negative
Digital current inputs	mA	≤5mA
Low input signal	VDC	≤2.6V
High input signal	VDC	≥3.1V
Input signal delay	ms	≥50

Relay outputs

Number of relay output	Nr.	3
Contact arrangement		2 x 1NO-SPST (OUT1, OUT2) + 1 x C/O-SPDT (OUT3)
Electrical life	cycles	10 ⁵
Mechanical life	cycles	10 ⁷

Interface

NFC interf.	Yes
-------------	-----

Functions

Programmable source type	Single-phase, two-phase, three-phase with neutral
--------------------------	---

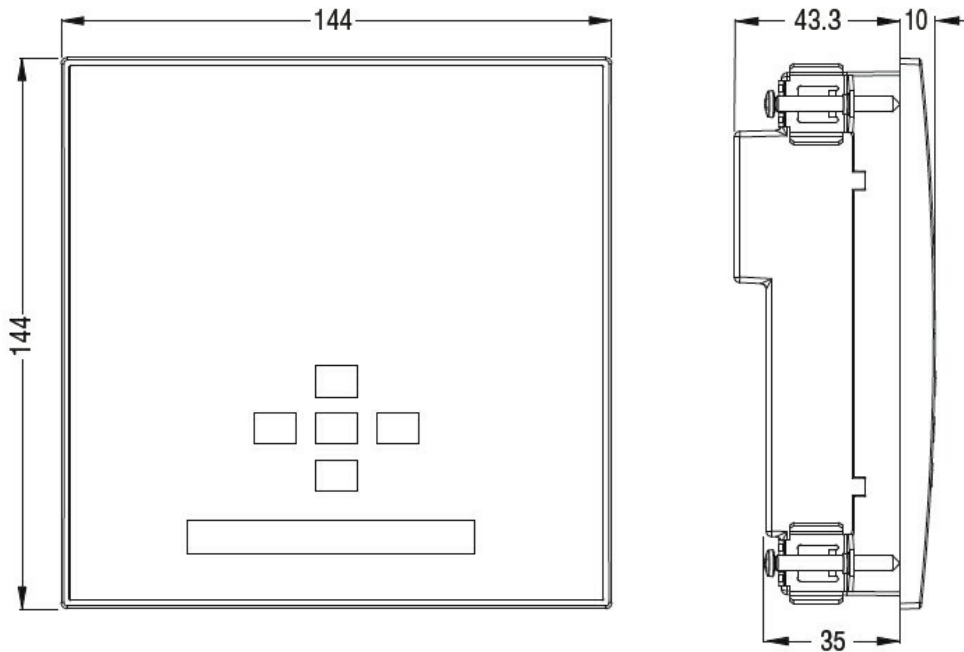
Ambient conditions

Temperature			
Operating temperature			
	min	°C	-30
	max	°C	+70
Storage temperature			
	min	°C	-30
	max	°C	+80
Relative humidity		%	<80%
Maximum Pollution degree			2
Overvoltage category			3
Measurement category			III
Climatic sequence			Z/ABDM (IEC/EN 60068-2-61)
Shock resistance			15g (IEC/EN 60068-2-27)
Vibration resistance			0.7g (IEC/EN 60068-2-6)

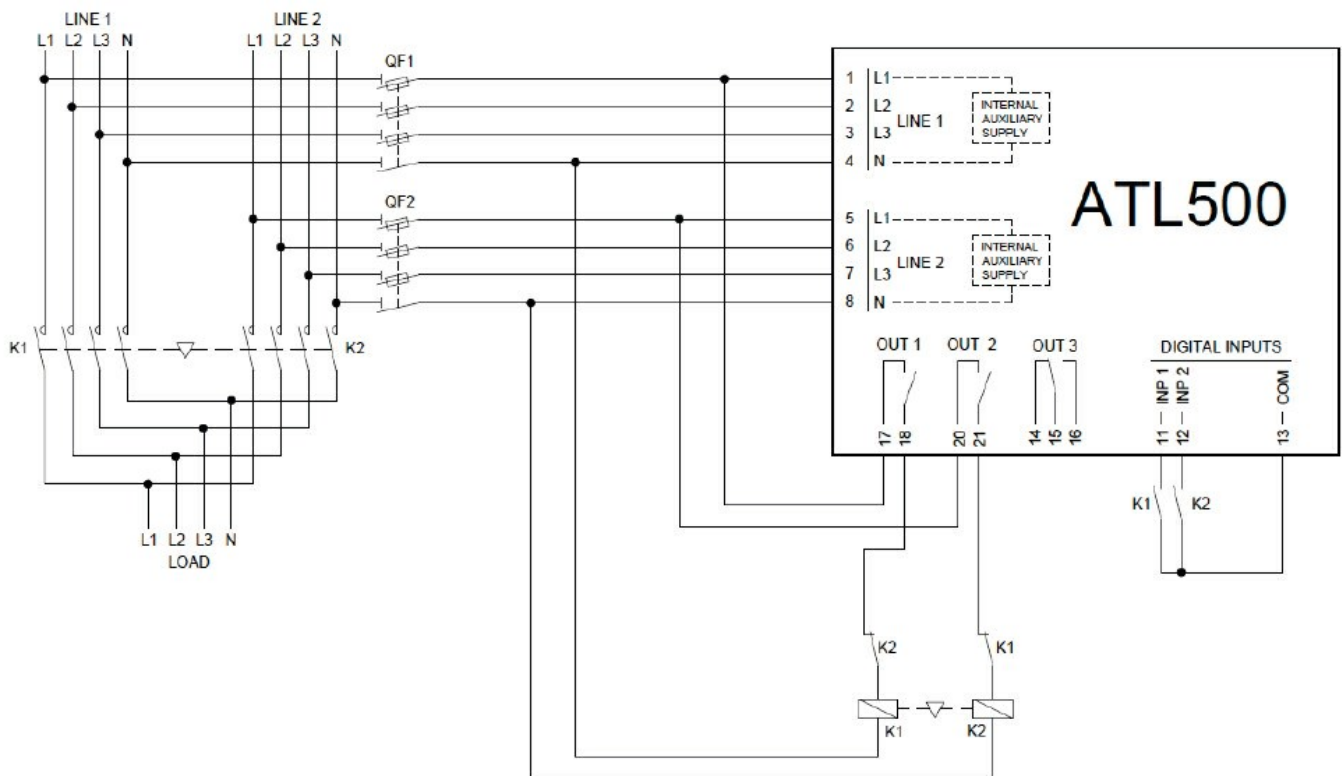
Housing

Execution	Flush mount
Material	Polycarbonate
Mounting	Flush mount - panel cut-out 138x138 mm
Degree of protection	IP40 on front, IP65 with optional gasket code EXP8001, IP20 on terminals
Dimensions (W x H x D)	mm 144 x 144 x 52.2mm
Weight	g 580

Dimensions



Wiring diagrams



Certifications and compliance

Compliance

IEC/EN 60947-1
IEC/EN 60947-6-1
IEC/EN 61000-6-2
IEC/EN 61000-6-3
IEC/EN 61010-1
IEC/EN 61010-2-030

Certificates

RCM

ETIM classification

ETIM 8.0

EC000236 - PLC
CPU-module