

Part number

# AW M25INJ



Complete cable gland, M25, black colour



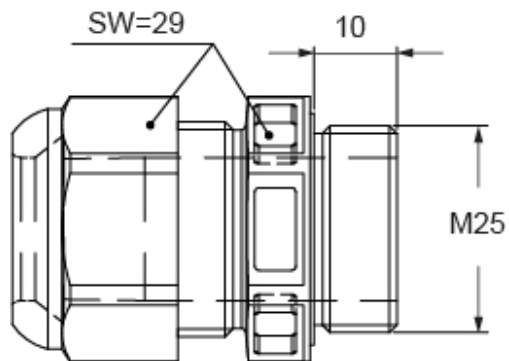
<b>Product description</b>		<b>Material properties</b>	
<b>Product type</b>	Complete cable gland	<b>Colour</b>	RAL 9005 black
<b>Cable entry</b>	M25	<b>General ordering information</b>	
<b>Specification</b>	For diameter 9-17 mm Black colour	<b>EAN13 code</b>	8015747264488
<b>Further technical details</b>		<b>eCl@ss 8.1</b>	27149109
<b>Weight</b>	17,00 g	<b>ETIM 7.0</b>	EC000441
		<b>Packaging Information</b>	
		<b>Sub-packaging weight</b>	0,85 kg
		<b>Sub-packaging description</b>	Plastic packaging
		<b>Sub-packaging quantity</b>	50 Pcs
		<b>Sub-packaging EAN barcode</b>	8015747264495

Part number

# AW M25INJ



Catalogue drawings



## Notes

Dimensions shown in mm are not binding and may be changed without notice.

---