

483 mm (19") SOUNDproof Cabinets



✓ Reduces noise from the inside

✓ Load capacity up to 1000 kg

✓ incl. fan modules

✓ Decorative wooden surface

Abstract

483 mm (19") SOUNDproof Cabinets, 750 mm width - 1130 mm depth

Features

- Safety class IP20
- Reduces noise from mounted equipment in the inside
- Sound emitting isolation material: 75-100 kg/m³, non-flammable (BS 476 Part 6 Class 0, Part 7 Class 1), Halogen free, anti-fungus, covered at all doors and panels, in between the double skins and internal side of the inner skins
- Noise level reduction to 18-21 dB, measured from one meter distance to the enclosure
- Wooden surface on front doors and top cover (melamine coated chipboard)
- Wooden surface top has 30 mm strength and is fixed from the inside of the cabinet
- Wooden surface available as maple-, teak-, walnut-, oak-, or cherry
- Metal parts in color black (RAL 9005)
- Double wing opening front door (18 mm strong melamine coated chipboard) with decorative handles and barrel locking mechanism on top
- 180° door opening angle on front door; 120° door opening angle on rear door
- Single wing opening rear door with lockable pivot lever and hot air exhaust openings
- 1-point locking mechanism on all doors
- Rear door carrying 3-way fan module integration area (fan modules included in delivery content)
- Included 3-way fan module integration areas: 1x (17U), 2x (32U), 3x (42U)
- Silent fan ventilation system, max. 29-30 dB, with adjustable thermostat
- Average air flow of a single fan: 106.8 m³/h (based on empty, unequipped cabinet)
- Side panels lockable and removable (narrow panels on the rear left and right)
- 483 mm (19") profile rails mounted on the front- and rear side inside of the cabinet, galvanized
- 483 mm (19") profile rails are adjustable in depth and with height unit marking
- Load capacity of 483 mm (19") profile rails: 1000 kg
- Sliding cable entry with rubber sealing on the base
- Integrated cable management rings (88x60 mm) in the front left and right (17U= 3+3 pieces, 32U= 7+7 pieces, 42U= 9+9 pieces)
- Brushed cable passage openings between the cable management rings (70x145 mm)
- Delivery incl. plinth, leveling feet and castors

Product Overview

The SOUNDproof cabinets are designed to perform the absorption of the created noise from the active equipments mounted inside the cabinet. With this superior sound reduction and its wooden concept finish, available as maple, teak, walnut, oak, cherry or beech version, it fits perfectly to the office environment. Thus, this product range is developed for various offices, banks hospitals, laboratories, hotels or conference rooms. The SOUNDproof cabinets are equipped with a silent fan ventilation system, max. 29-30 dB noise level, to support the main activity of noise reduction performance. The general noise level reduction goes to 18-21 dB, measured from one meter distance to the enclosure. There are cable management rings and brushed cable passage openings in the front left and right. The cabinets are available in 17U, 32U and 42U with a width 750 mm and a depth of 1130 mm.

Standards and Compliances

ISO 9001:2008	Quality Management System
EN 61587-1:2012	Mechanical Structures for Electronic Equipment
IEC 297-1	19" mounting
IEC 297-2	Overall cabinet dimensions
EN 60950-1:2006	CE conform; Information Technology Equipment - Safety - Part 1 - General Requirements
ISO 14001	Environmental Management System
EN 14322	Wood-based panels

- RoHS compliancy
- 100% recyclable material

Logistic Information

Item code	Height unit (U)	Product dimensions (HxWxD) in mm	Packaging dimensions (HxWxD) in mm	Net weight in kg	Gross weight in kg
DN-19 17U-SO-x	17U	1000x750x1130 mm	1120x820x1200 mm	138 kg	152 kg
DN-19 32U-SO-x	32U	1609x750x1130 mm	1787x820x1200 mm	165 kg	183 kg
DN-19 42U-SO-x	42U	2053x750x1130 mm	2231x820x1200 mm	210 kg	228 kg

Product Number Information

Item code	Color code (please replace the "x" with your color of choice)
DN-19 17U-SO-x	Maple (M); Teak (T), Walnut (W); Oak (O); Cherry (C)
DN-19 32U-SO-x	
DN-19 42U-SO-x	

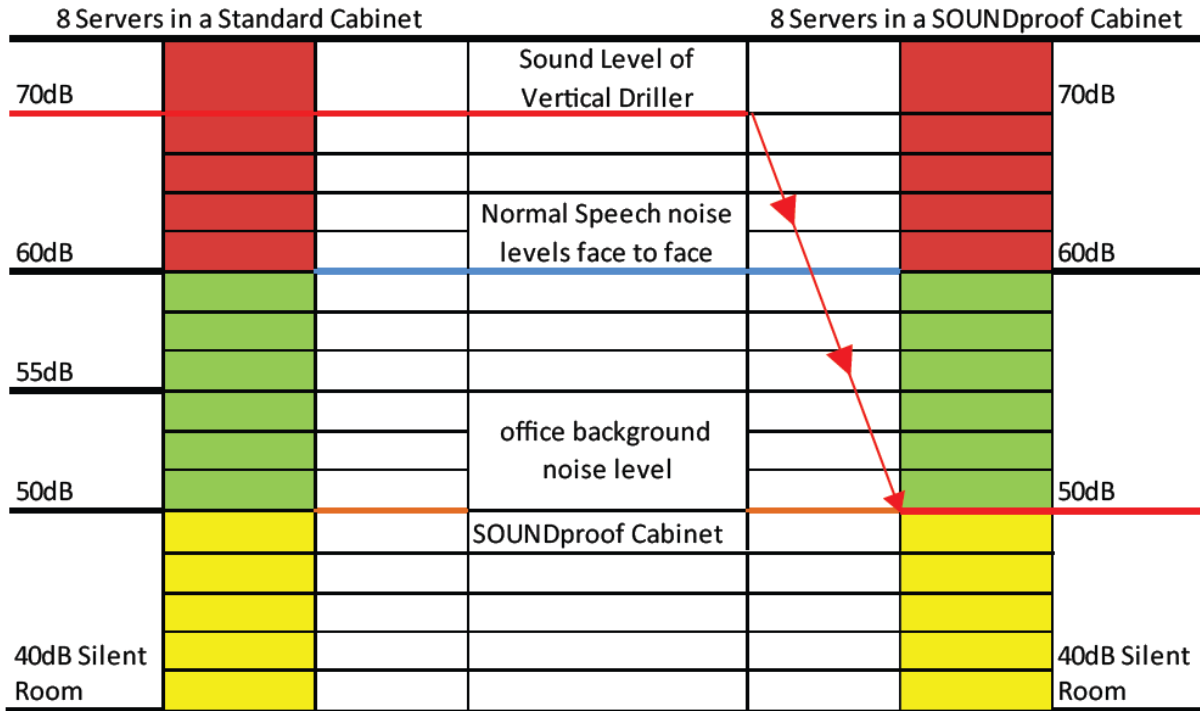


Product Images

17U SOUNDproof Cabinets & Detail Views



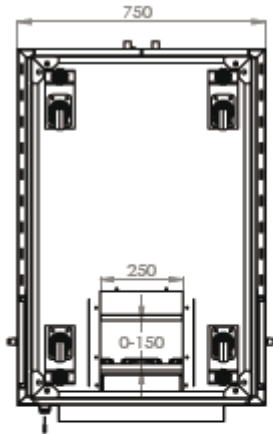
Sound Performance



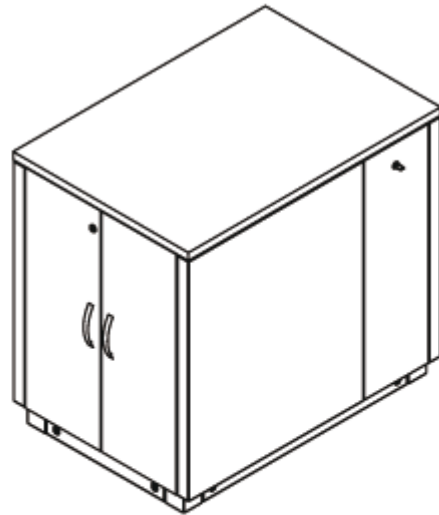
18-21 dB noise level reduction from 1 meter distance to the enclosure

Technical Drawings

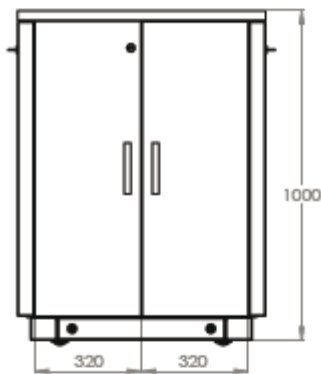
DN-19 17U-SO-x (17U SOUNDproof Cabinets)



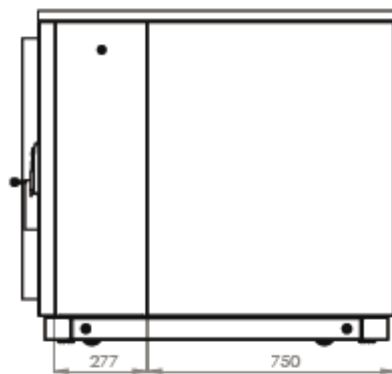
BOTTOM VIEW



ISOMETRIC VIEW



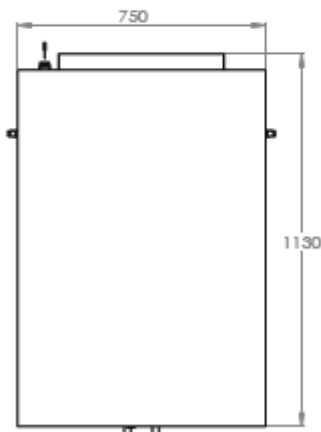
FRONT VIEW



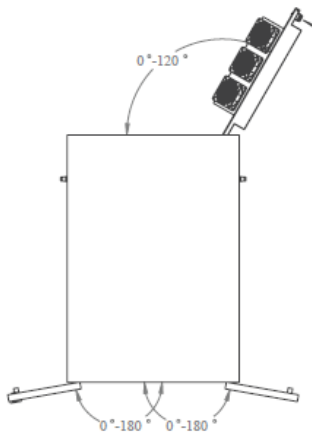
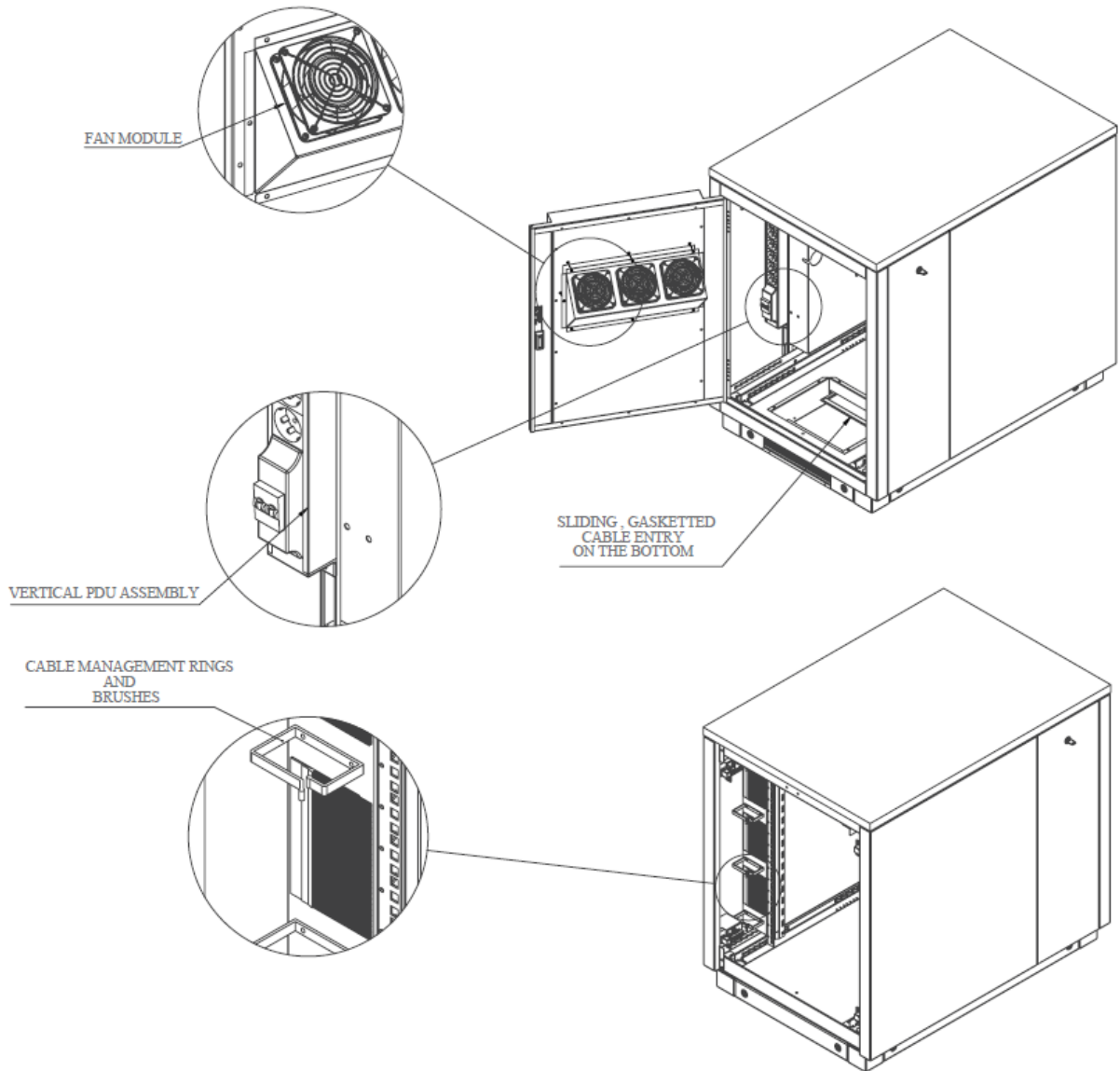
SIDE VIEW



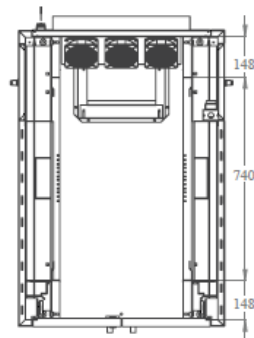
REAR VIEW



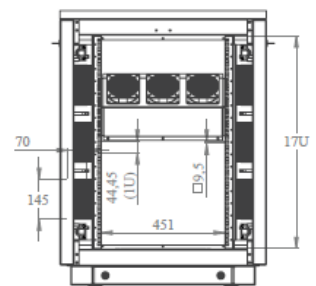
TOP VIEW



FRONT DOOR
OPENING ANGLE

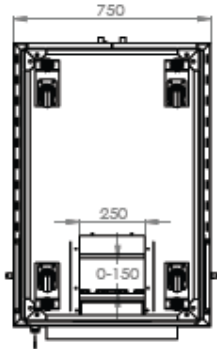


EQUIPMENT
MOUNTING DISTANCE

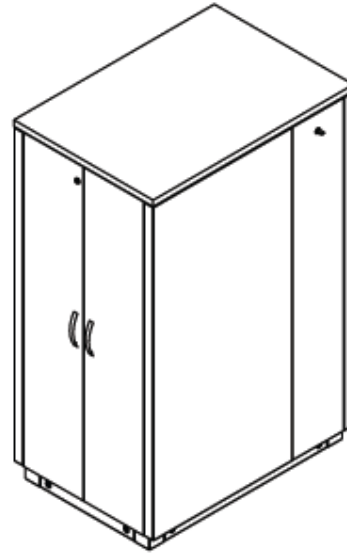


DIMENSIONS IN
WIDTH AND HEIGHT

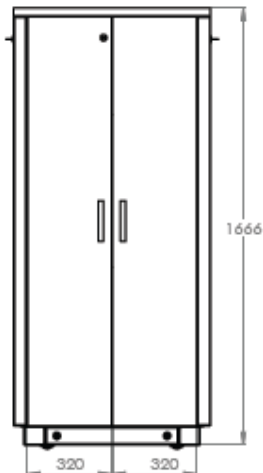
DN-19 32U-SO-x (32U SOUNDproof Cabinets)



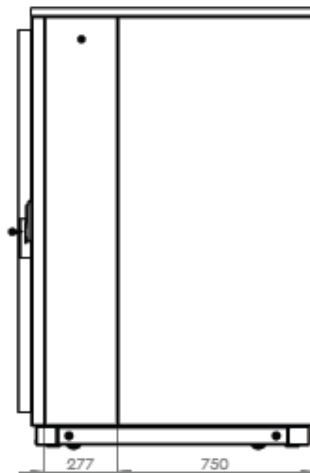
BOTTOM VIEW



ISOMETRIC VIEW



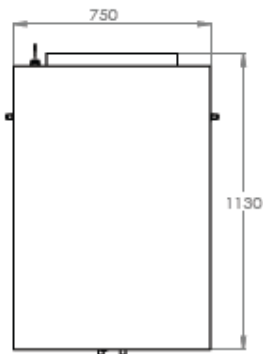
FRONT VIEW



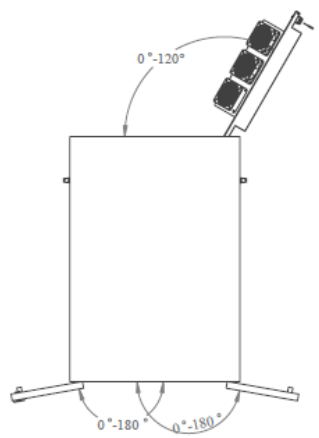
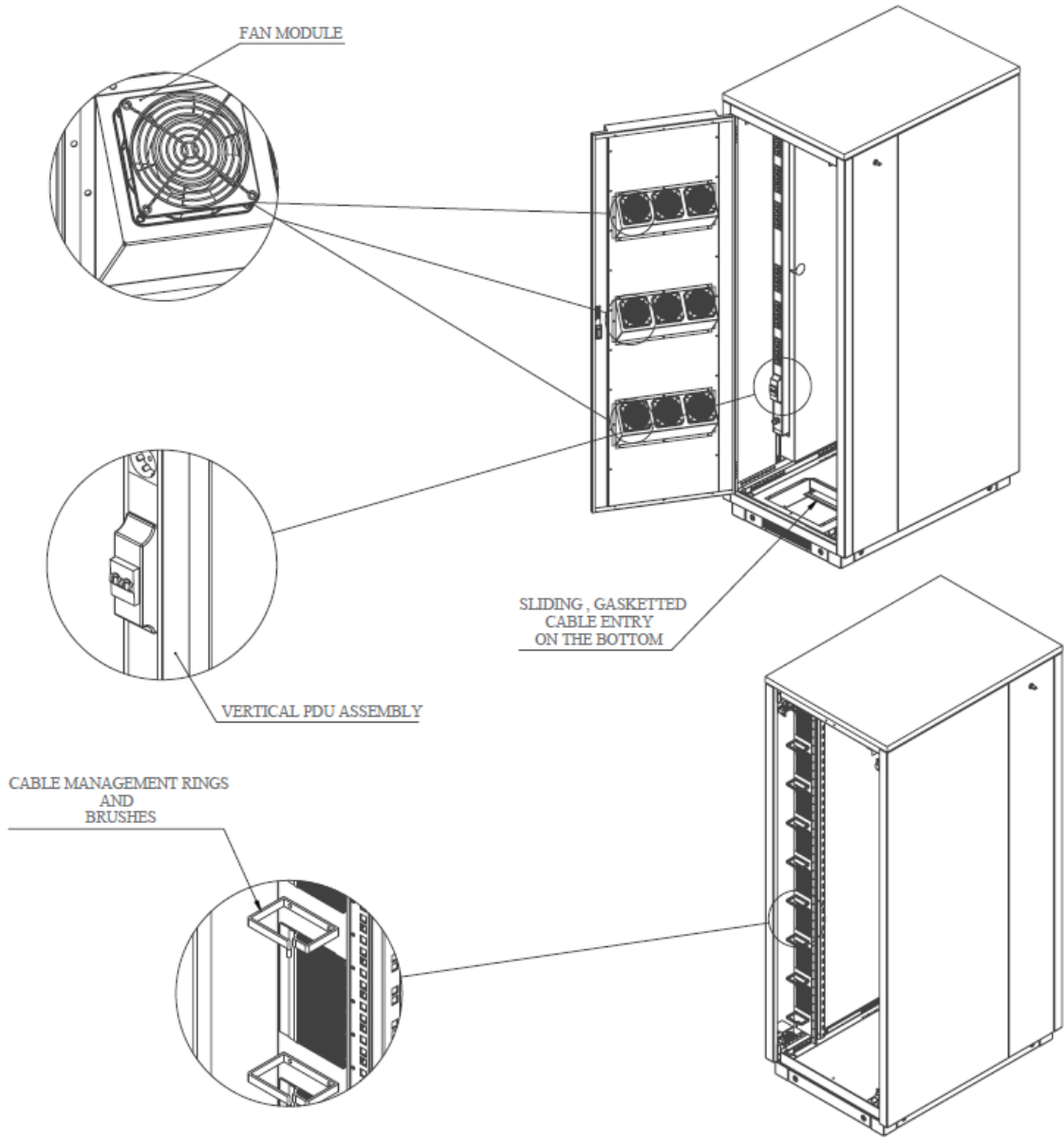
SIDE VIEW



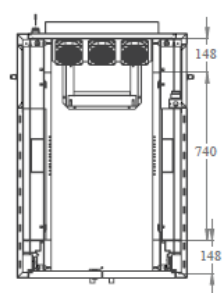
REAR VIEW



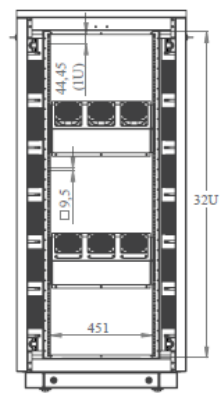
TOP VIEW



FRONT DOOR
OPENING ANGLE

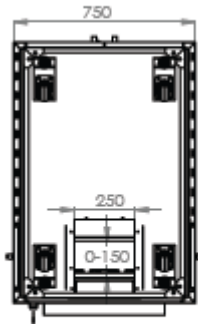


EQUIPMENT MOUNTING
DISTANCE

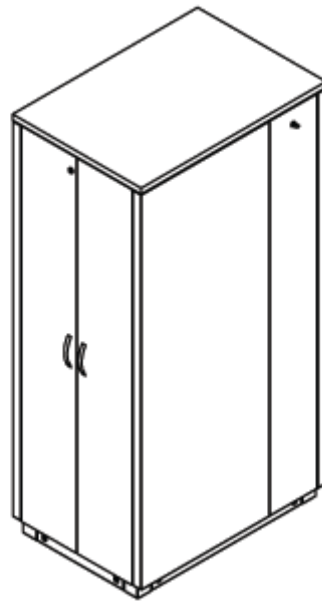


DIMENSIONS IN
WIDTH AND HEIGHT

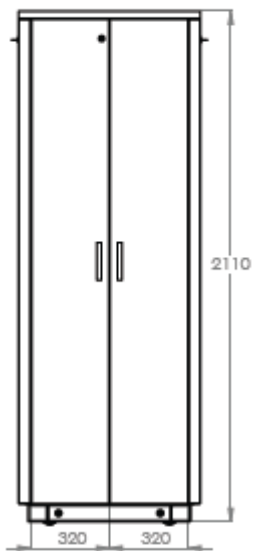
DN-19 42U-SO-x (42U SOUNDproof Cabinets)



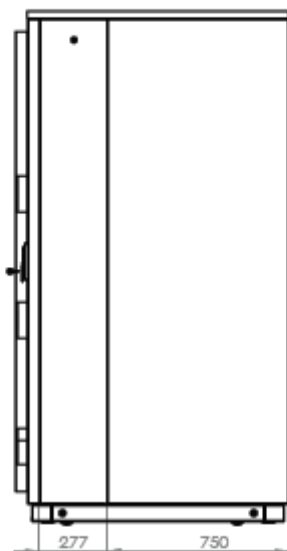
BOTTOM VIEW



ISOMETRIC VIEW



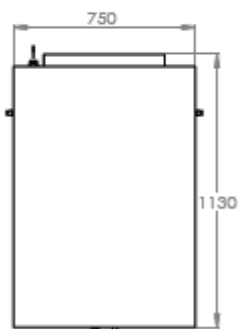
FRONT VIEW



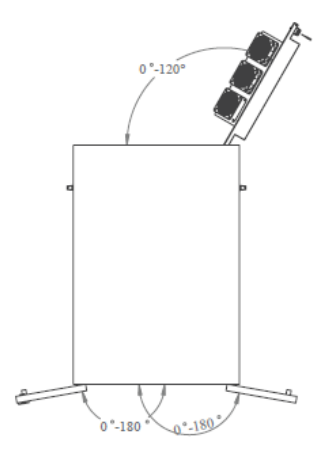
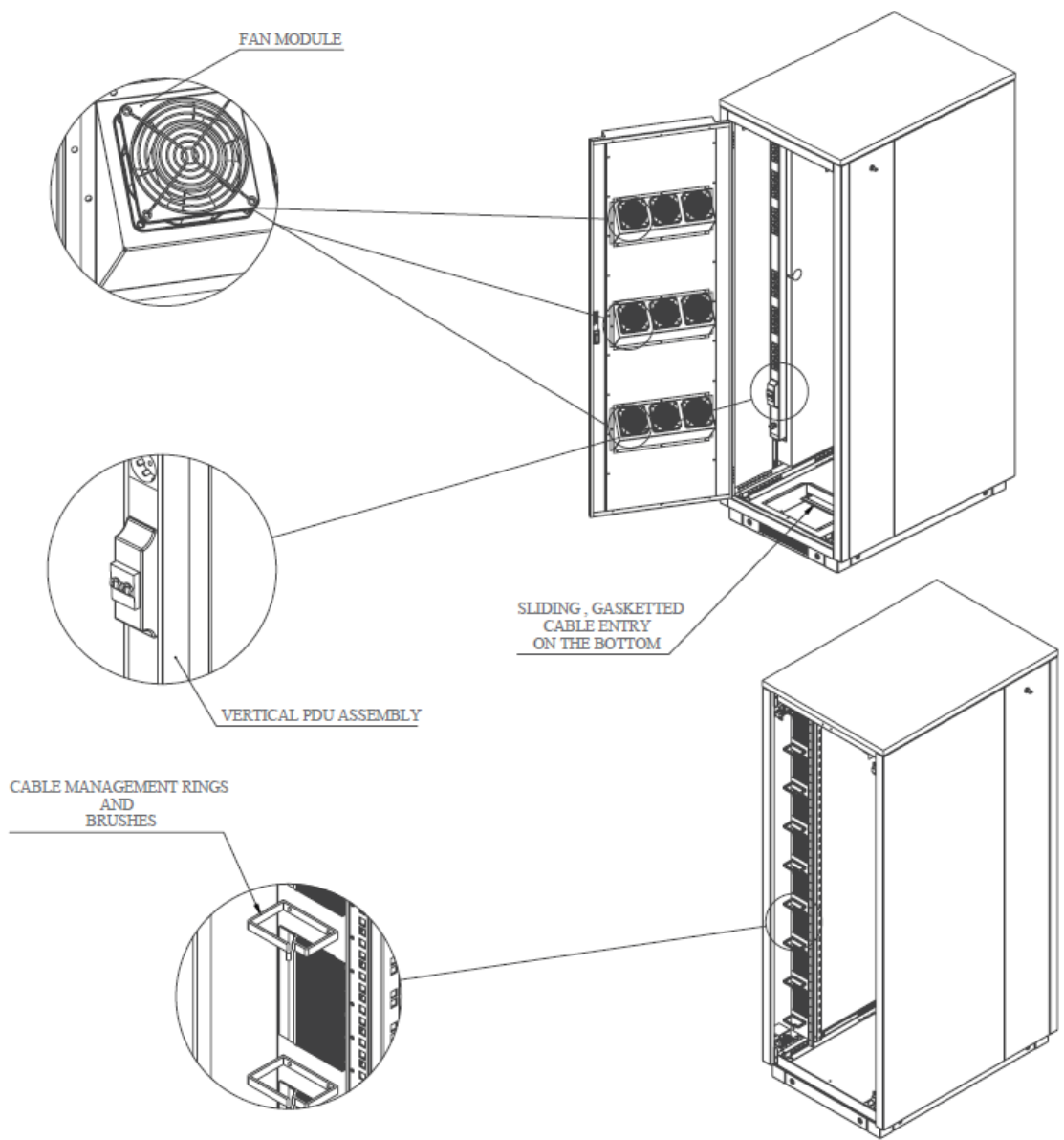
SIDE VIEW



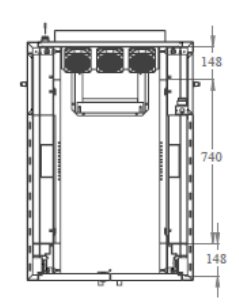
REAR VIEW



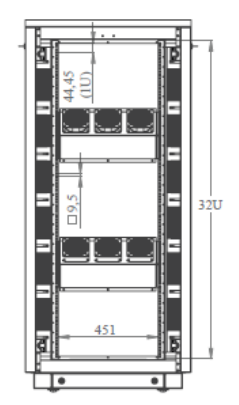
TOP VIEW



FRONT DOOR
OPENING ANGLE



EQUIPMENT MOUNTING
DISTANCE



DIMENSIONS IN
WIDTH AND HEIGHT

Assmann Electronic GmbH, Auf dem Schüffel 3, 58513 Lüdenscheid, Germany, info@assmann.com, printing errors, falsities and technical changes remain reserved