

NH fuse-links aM 500 - 690VAC

with striker, size 0, 1, 2, 3, 4

LOW VOLTAGE IEC FUSES

IEC NH FUSE-LINKS



The NH system is classified among plug-in fuse systems and is composed of:

- fuse-base (possibly including terminal covers and phase barriers)
- fuse-link with blade contact
- fuse-link replacement device (LV HRC fuse puller)

Since the design of this system cannot guarantee non-interchangeability of rated current, it must be handled by a qualified professional.

TECHNICAL DATA OVERVIEW

| | |
|----------------------|-----------------------------|
| Voltage Range AC | 500 ... 690 VAC |
| Ampere Range (A) | 32 ... 1250 A |
| Size per Standard | Sizes 0 to 4 - with striker |
| Speed/Characteristic | aM |
| I.R. AC | 80 ... 120 kA |
| Body Material | ceramic |
| Contact Materials | copper, silver-plated |

FEATURES & BENEFITS

- Dimensions according to DIN 43 620 Parts 1 to 4
- Lead free contact blades
- 0% cadmium

APPLICATIONS

- aM: Partial purpose, motor circuit protection

STANDARDS

- VDE 0636 Part 201
- IEC 60269-1 and -2



NH fuse-links aM 500 - 690VAC

with striker, size 0, 1, 2, 3, 4

PRODUCT RANGE



NH0AM-69V125P-2

Size 0 aM with striker

| Catalog number | Item number | Rated voltage AC (IEC) | Rated current I _n | Rated breaking capacity AC | Power dissipation at I _n | Package | Weight |
|----------------|-------------|------------------------|------------------------------|----------------------------|-------------------------------------|---------|---------|
| NH0AM69V32P-2 | Z213140 | 690 V | 32 A | 80 kA | 2.4 W | 3 | 0.28 kg |
| NH0AM69V40P-2 | R213639 | 690 V | 40 A | 80 kA | 2.8 W | 3 | 0.28 kg |
| NH0AM69V50P-2 | V214148 | 690 V | 50 A | 80 kA | 3.6 W | 3 | 0.28 kg |
| NH0AM69V63P-2 | Y214657 | 690 V | 63 A | 80 kA | 4.6 W | 3 | 0.28 kg |
| NH0AM69V80P-2 | C215167 | 690 V | 80 A | 80 kA | 6 W | 3 | 0.28 kg |
| NH0AM69V100P-2 | F215676 | 690 V | 100 A | 80 kA | 7.5 W | 3 | 0.28 kg |
| NH0AM69V125P-2 | L216187 | 690 V | 125 A | 80 kA | 9.5 W | 3 | 0.28 kg |
| NH0AM69V160P-2 | J216691 | 690 V | 160 A | 80 kA | 12 W | 3 | 0.28 kg |
| NH0AM50V200P-2 | X217209 | 500 V | 200 A | 120 kA | - | 3 | 0.28 kg |



NH1AM69V250P-2

Size 1 aM with striker

| Catalog number | Item number | Rated voltage AC (IEC) | Rated current I _n | Rated breaking capacity AC | Power dissipation at I _n | Package | Weight |
|----------------|-------------|------------------------|------------------------------|----------------------------|-------------------------------------|---------|---------|
| NH1AM69V80P-2 | C217720 | 690 V | 80 A | 80 kA | 6 W | 3 | 0.38 kg |
| NH1AM69V100P-2 | M218235 | 690 V | 100 A | 80 kA | 7.5 W | 3 | 0.38 kg |
| NH1AM69V125P-2 | A218753 | 690 V | 125 A | 80 kA | 9.9 W | 3 | 0.38 kg |
| NH1AM69V160P-2 | P219272 | 690 V | 160 A | 80 kA | 12.7 W | 3 | 0.38 kg |
| NH1AM69V200P-2 | B222480 | 690 V | 200 A | 80 kA | 16.4 W | 3 | 0.38 kg |
| NH1AM69V250P-2 | T223002 | 690 V | 250 A | 80 kA | 21.5 W | 3 | 0.38 kg |
| NH1AM50V315P-2 | A200790 | 500 V | 315 A | 120 kA | - | 3 | 0.38 kg |



NH2AM69V315P-2

Size 2 aM with striker

| Catalog number | Item number | Rated voltage AC (IEC) | Rated current I _n | Rated breaking capacity AC | Power dissipation at I _n | Package | Weight |
|----------------|-------------|------------------------|------------------------------|----------------------------|-------------------------------------|---------|---------|
| NH2AM69V125P-2 | S201335 | 690 V | 125 A | 80 kA | - | 3 | 0.56 kg |
| NH2AM69V160P-2 | B201849 | 690 V | 160 A | 80 kA | 12.7 W | 3 | 0.56 kg |
| NH2AM69V200P-2 | Y211069 | 690 V | 200 A | 80 kA | 16.4 W | 3 | 0.56 kg |
| NH2AM69V224P-2 | P211590 | 690 V | 224 A | 80 kA | 18.7 W | 3 | 0.56 kg |
| NH2AM69V250P-2 | Y212104 | 690 V | 250 A | 80 kA | 21.5 W | 3 | 0.56 kg |
| NH2AM69V315P-2 | N212624 | 690 V | 315 A | 80 kA | 29 W | 3 | 0.56 kg |
| NH2AM69V355P-2 | A213141 | 690 V | 355 A | 80 kA | 32 W | 3 | 0.56 kg |
| NH2AM69V400P-2 | S213640 | 690 V | 400 A | 80 kA | 34 W | 3 | 0.56 kg |
| NH2AM50V500P-2 | W214149 | 500 V | 500 A | 120 kA | - | 3 | 0.56 kg |

Size 3 aM with striker

| Catalog number | Item number | Rated voltage AC (IEC) | Rated current I _n | Rated breaking capacity AC | Power dissipation at I _n | Package | Weight |
|----------------|-------------|------------------------|------------------------------|----------------------------|-------------------------------------|---------|---------|
| NH3AM69V315P-2 | Z214658 | 690 V | 315 A | 80 kA | 25 W | 3 | 0.87 kg |
| NH3AM69V355P-2 | D215168 | 690 V | 355 A | 80 kA | 29 W | 3 | 0.87 kg |
| NH3AM69V400P-2 | G215677 | 690 V | 400 A | 80 kA | 34 W | 3 | 0.87 kg |
| NH3AM69V500P-2 | M216188 | 690 V | 500 A | 80 kA | 45 W | 3 | 0.87 kg |
| NH3AM50V630P-2 | K216692 | 500 V | 630 A | 120 kA | 60 W | 3 | 0.87 kg |



NH4AM69V500P-2

Size 4 aM with striker

| Catalog number | Item number | Rated voltage AC (IEC) | Rated current I _n | Rated breaking capacity AC | Power dissipation at I _n | Package | Weight |
|-----------------|-------------|------------------------|------------------------------|----------------------------|-------------------------------------|---------|--------|
| NH4AM69V500P-2 | P1000076 | 690 V | 500 A | 120 kA | 38 W | 1 | 2.2 kg |
| NH4AM69V630P-2 | Q1000077 | 690 V | 630 A | 120 kA | 50 W | 1 | 2.2 kg |
| NH4AM69V800P-2 | R1000078 | 690 V | 800 A | 120 kA | 65 W | 1 | 2.2 kg |
| NH4AM69V1000P-2 | Y1000084 | 690 V | 1000 A | 120 kA | 80 W | 1 | 2.2 kg |
| NH4AM50V1250P-2 | Z1000085 | 500 V | 1250 A | 120 kA | 100 W | 1 | 2.2 kg |

MERSEN reserves the right to change, update or correct, without notice, any information contained in this datasheet.

NH fuse-links aM 500 - 690VAC

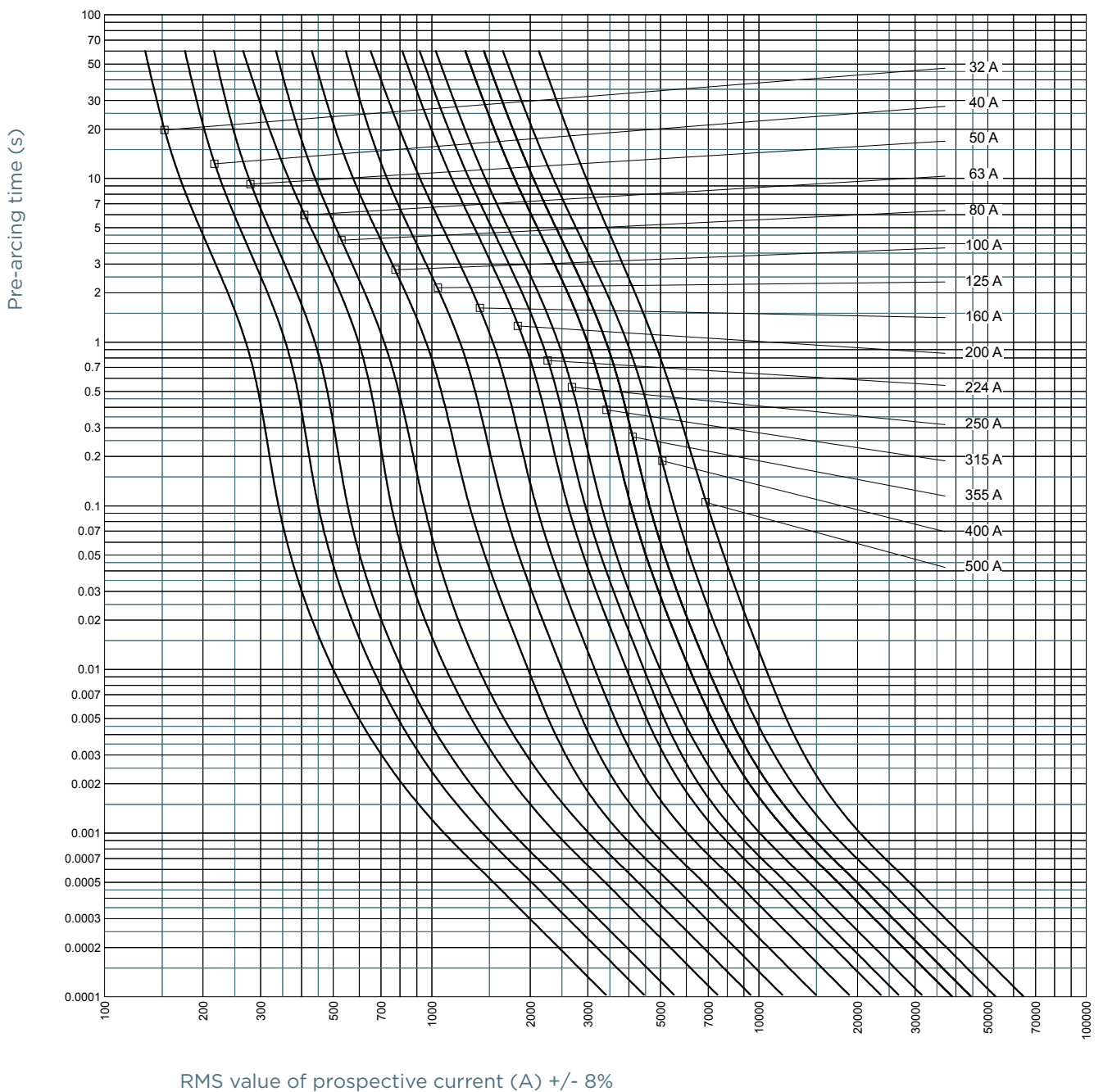
with striker, size 0, 1, 2, 3, 4

TECHNICAL DATA

| | Size 0 aM with striker | Size 1 aM with striker | Size 2 aM with striker | Size 3 aM with striker | Size 4 aM with striker |
|-------------------|------------------------|------------------------|------------------------|------------------------|------------------------|
| Size | 0 | 1 | 2 | 3 | 4 |
| Rated current | 32 ... 200 A | 80 ... 315 A | 125 ... 500 A | 315 ... 630 A | 500 ... 1250 A |
| Rated voltage AC | 500 ... 690 V | 500 ... 690 V | 500 ... 690 V | 500 ... 690 V | 500 ... 690 V |
| Indication System | with striker | with striker | with striker | with striker | with striker |
| Package | 3 | 3 | 3 | 3 | 1 |

TIME CURRENT CHARACTERISTIC CURVES

Size 0-1-2-3, 690V aM



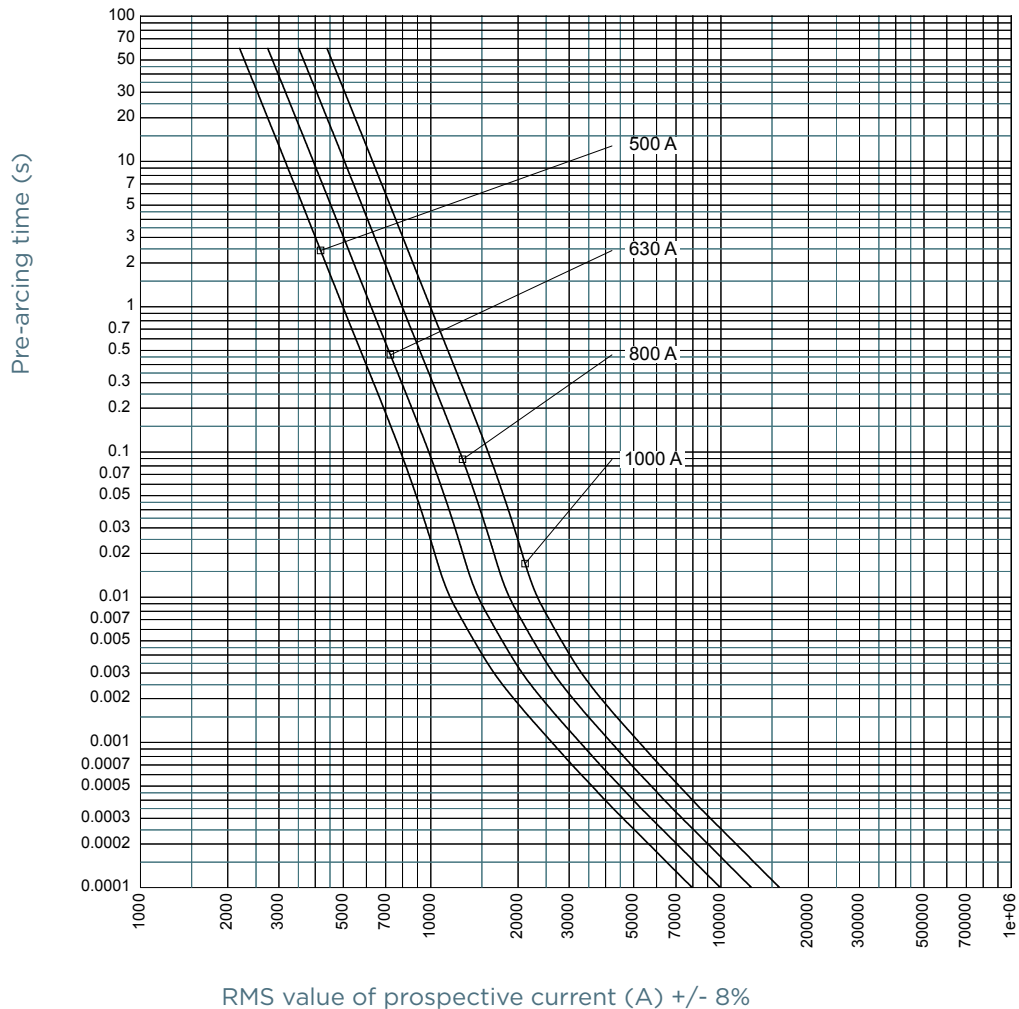
MERSEN reserves the right to change, update or correct, without notice, any information contained in this datasheet.

NH fuse-links aM 500 - 690VAC

with striker, size 0, 1, 2, 3, 4

TIME CURRENT CHARACTERISTIC CURVES

Size 4, 690V aM



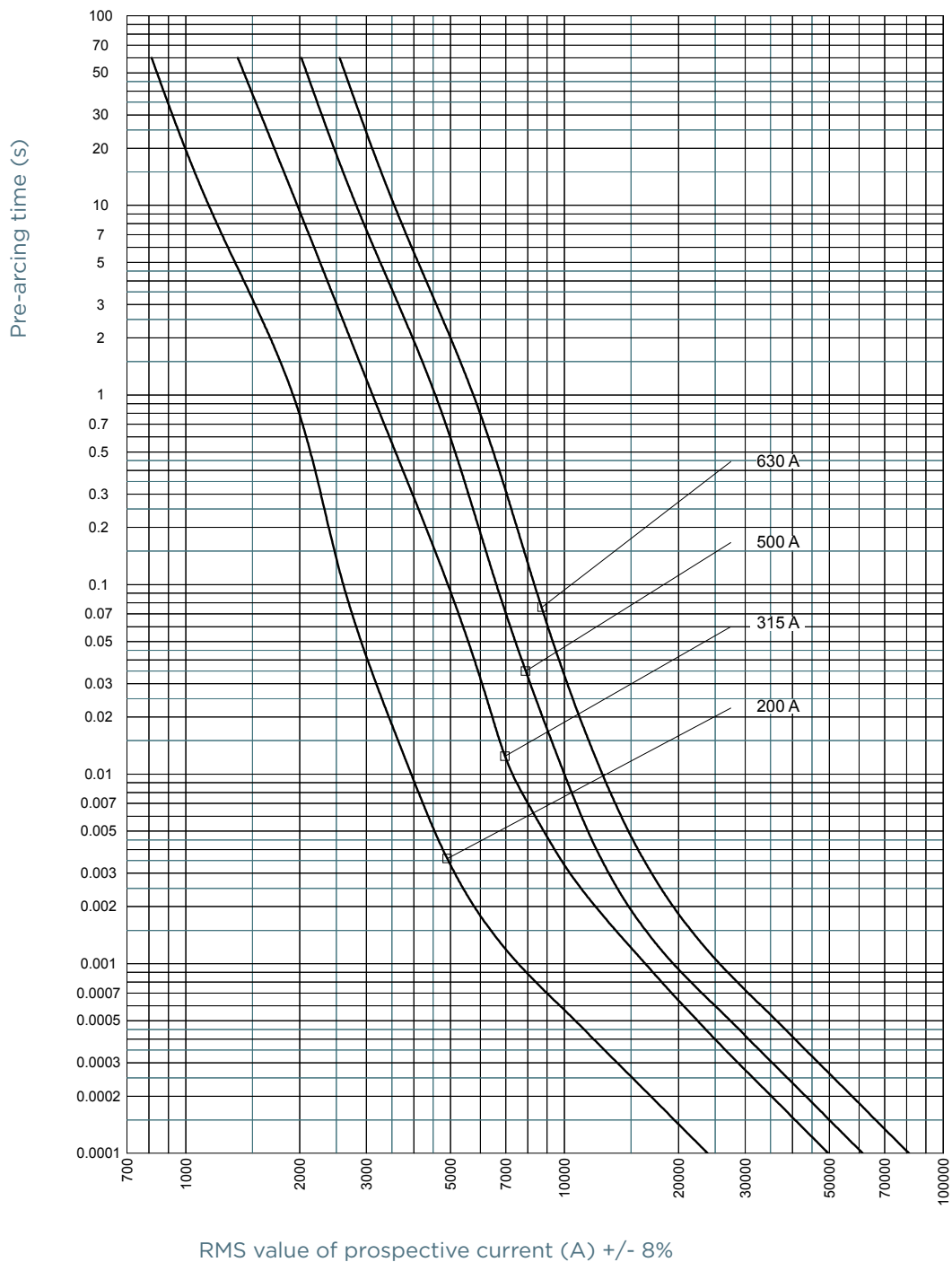
MERSEN reserves the right to change, update or correct, without notice, any information contained in this datasheet.

NH fuse-links aM 500 - 690VAC

with striker, size 0, 1, 2, 3, 4

TIME CURRENT CHARACTERISTIC CURVES

Size 0-1-2-3, 500V aM



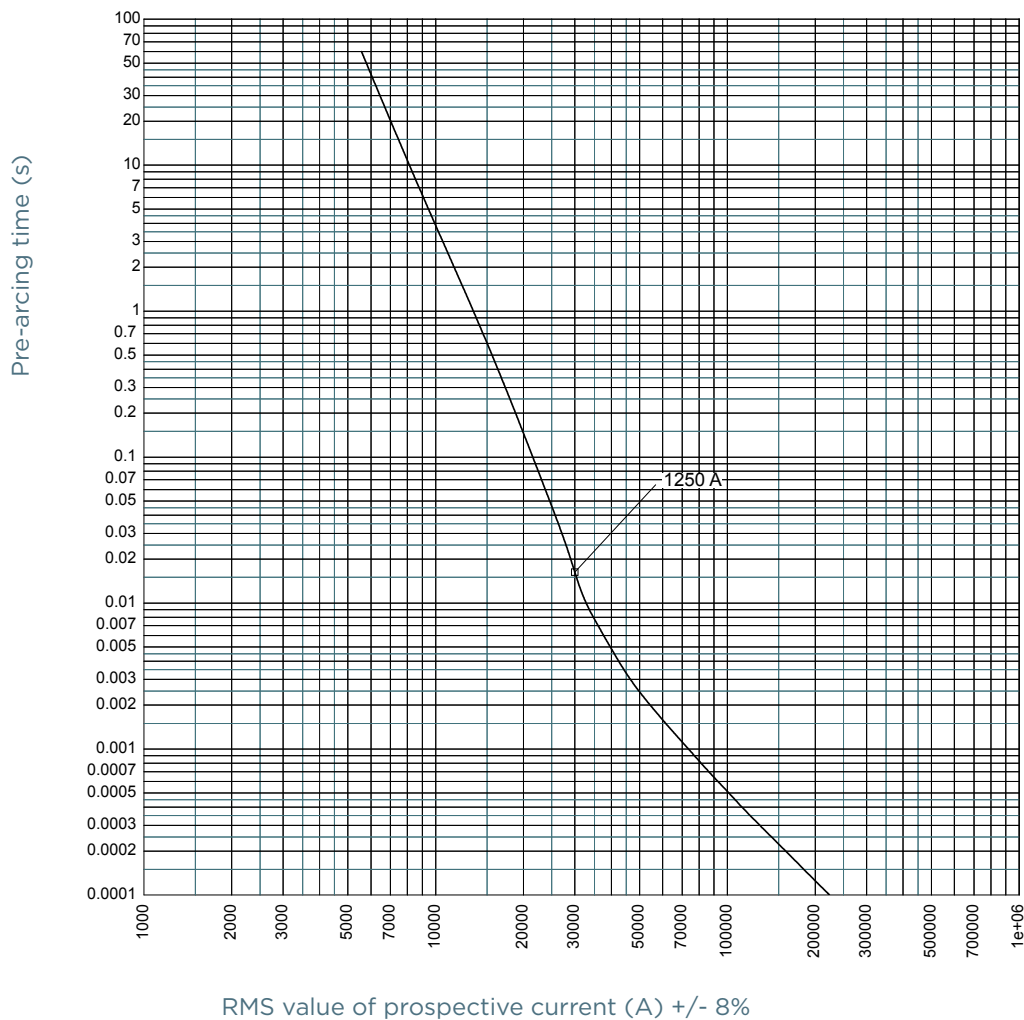
MERSEN reserves the right to change, update or correct, without notice, any information contained in this datasheet.

NH fuse-links aM 500 - 690VAC

with striker, size 0, 1, 2, 3, 4

TIME CURRENT CHARACTERISTIC CURVES

Size 4, 500V aM



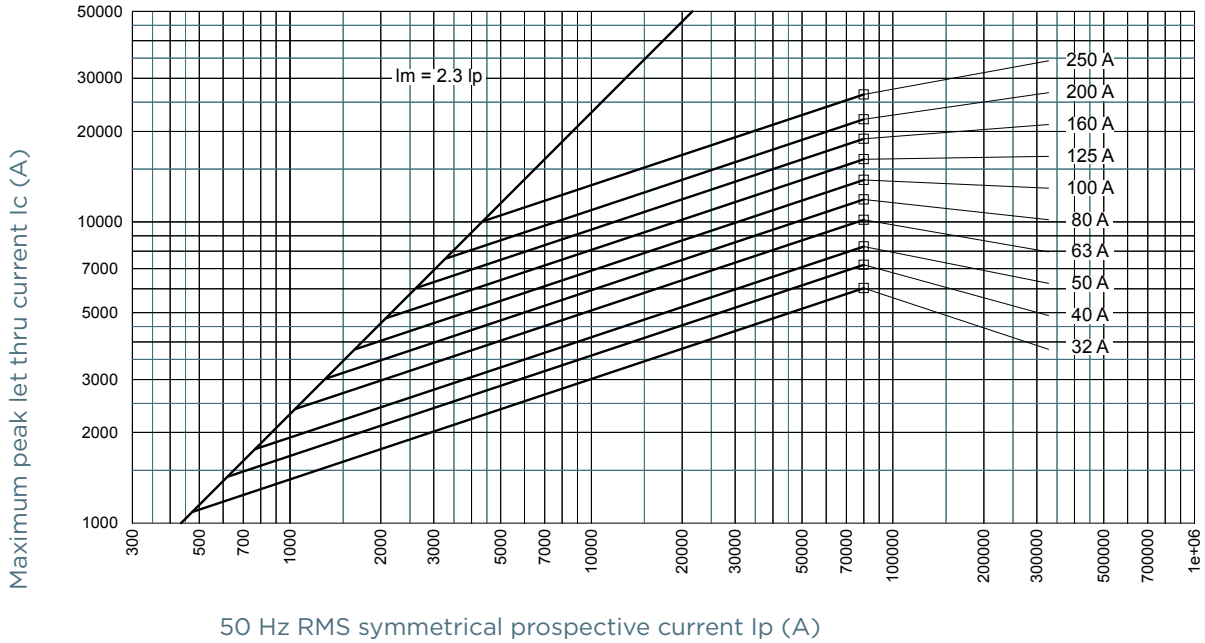
MERSEN reserves the right to change, update or correct, without notice, any information contained in this datasheet.

NH fuse-links aM 500 - 690VAC

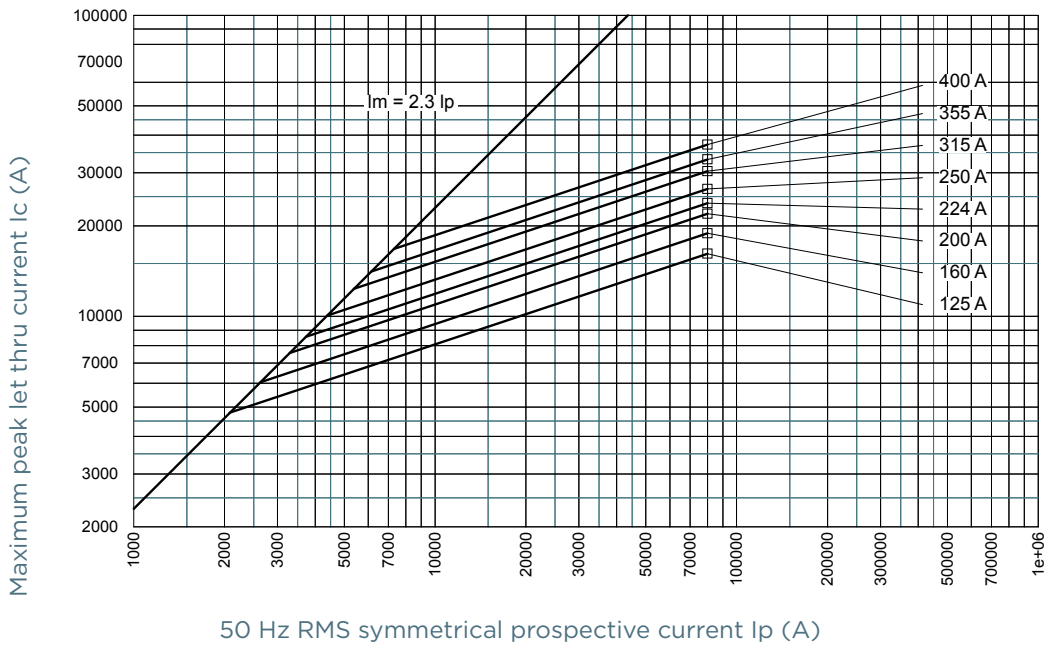
with striker, size 0, 1, 2, 3, 4

CUT-OFF CURRENT CHARACTERISTIC

Size 0-1, 690V aM



Size 2, 690V aM



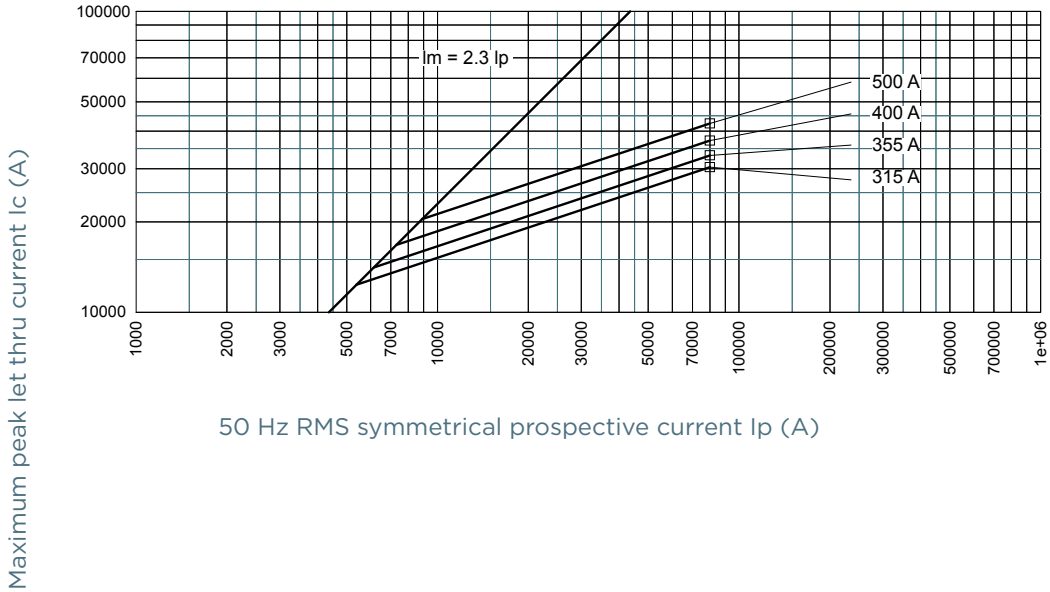
MERSEN reserves the right to change, update or correct, without notice, any information contained in this datasheet.

NH fuse-links aM 500 - 690VAC

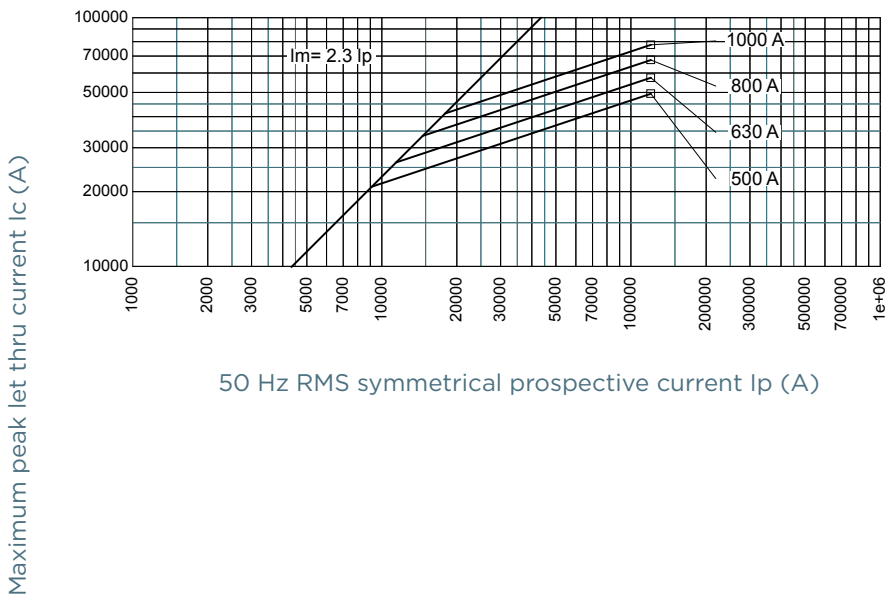
with striker, size 0, 1, 2, 3, 4

CUT-OFF CURRENT CHARACTERISTIC

Size 3, 690V aM



Size 4, 690V aM

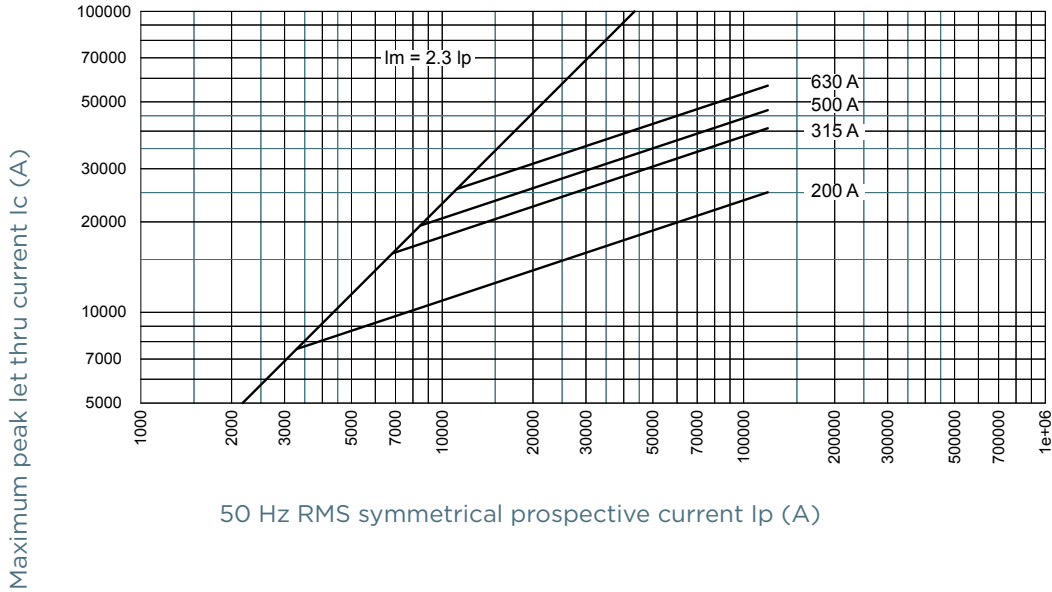


NH fuse-links aM 500 - 690VAC

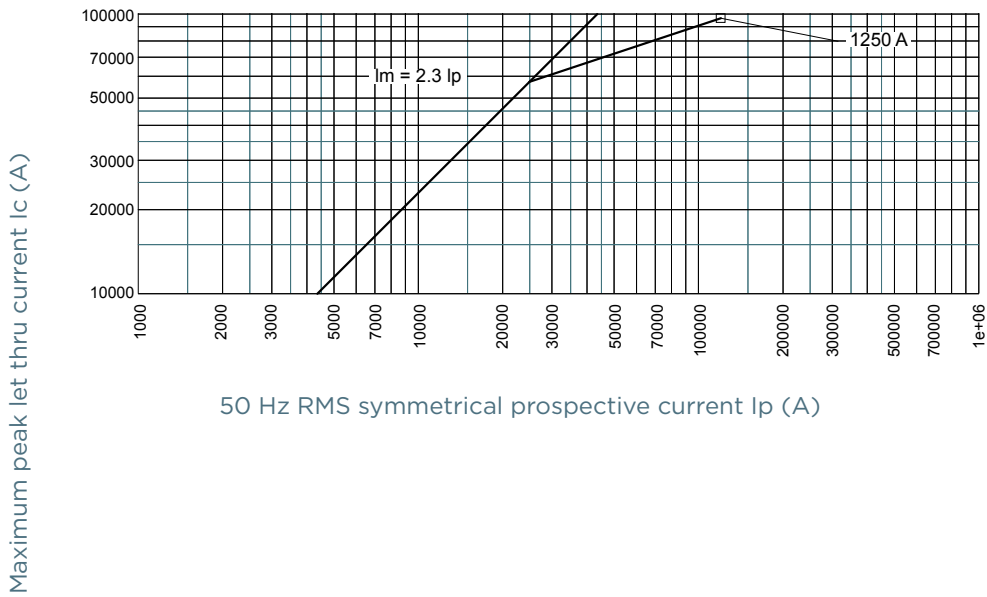
with striker, size 0, 1, 2, 3, 4

CUT-OFF CURRENT CHARACTERISTIC

Size 0-1-2-3, 500V aM



Size 4, 500V aM



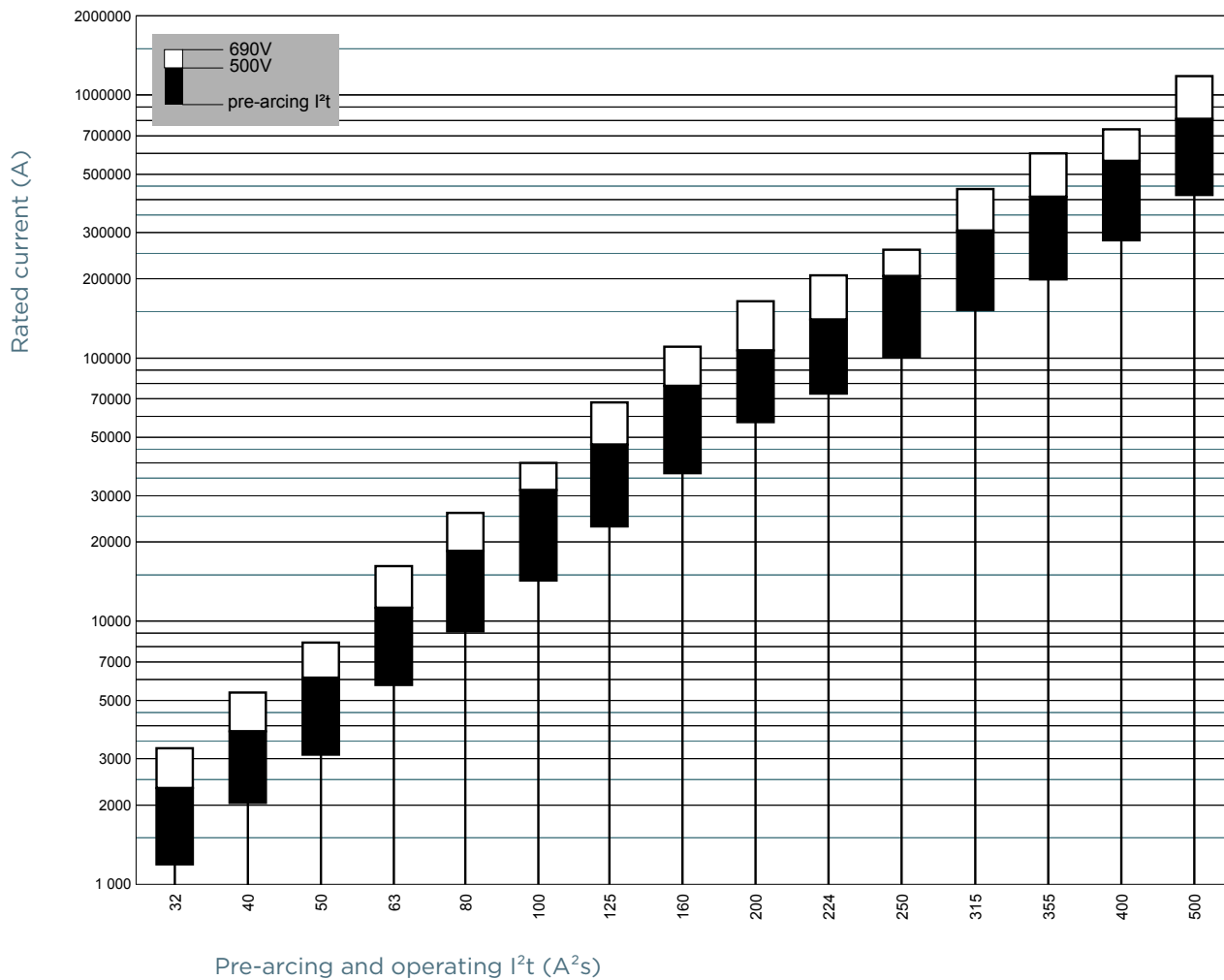
MERSEN reserves the right to change, update or correct, without notice, any information contained in this datasheet.

NH fuse-links aM 500 - 690VAC

with striker, size 0, 1, 2, 3, 4

PRE-ARCING AND OPERATING I²t CHARACTERISTICS

Size 0-1-2-3, 690V aM



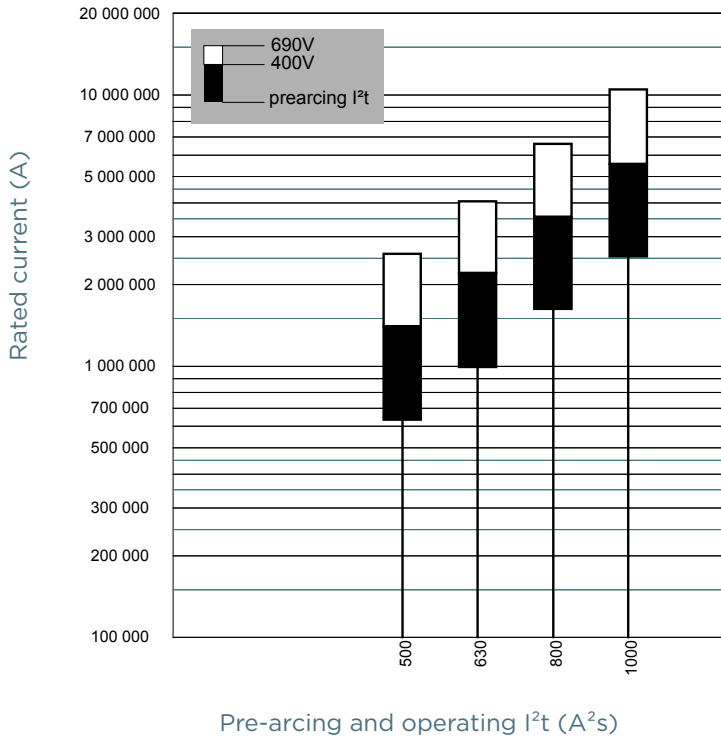
MERSEN reserves the right to change, update or correct, without notice, any information contained in this datasheet.

NH fuse-links aM 500 - 690VAC

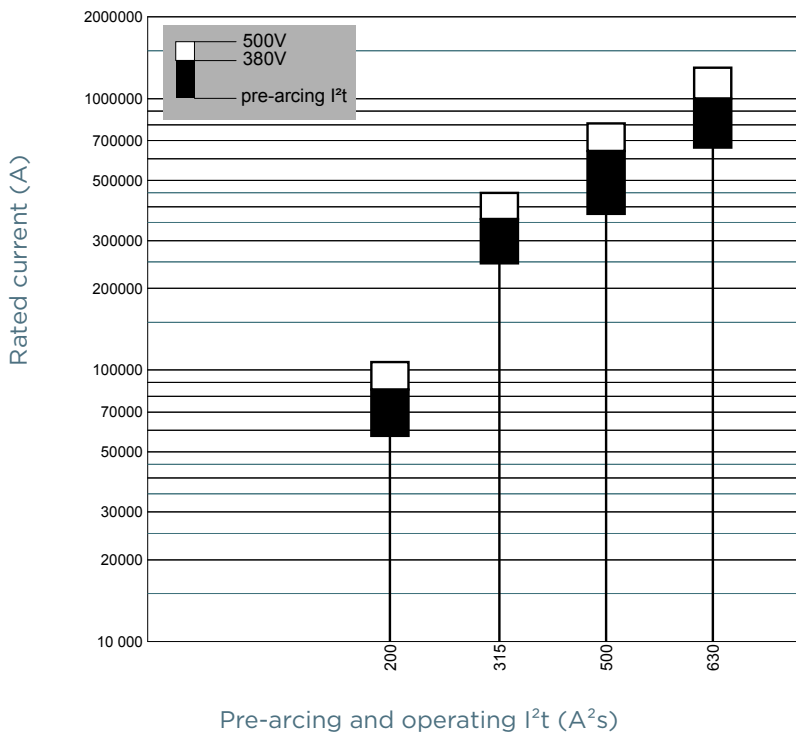
with striker, size 0, 1, 2, 3, 4

PRE-ARCING AND OPERATING I²T CHARACTERISTICS

Size 4, 690V aM



Size 0-1-2-3, 500V aM



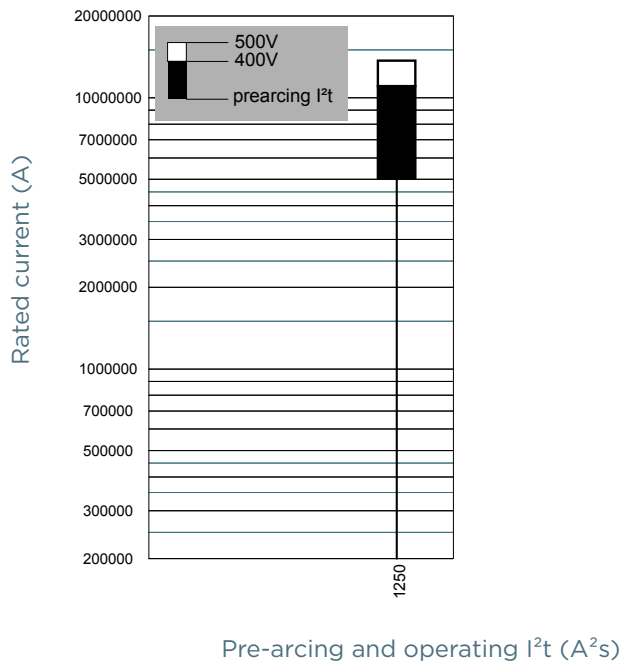
MERSEN reserves the right to change, update or correct, without notice, any information contained in this datasheet.

NH fuse-links aM 500 - 690VAC

with striker, size 0, 1, 2, 3, 4

PRE-ARCING AND OPERATING I²T CHARACTERISTICS

Size 4, 500V aM

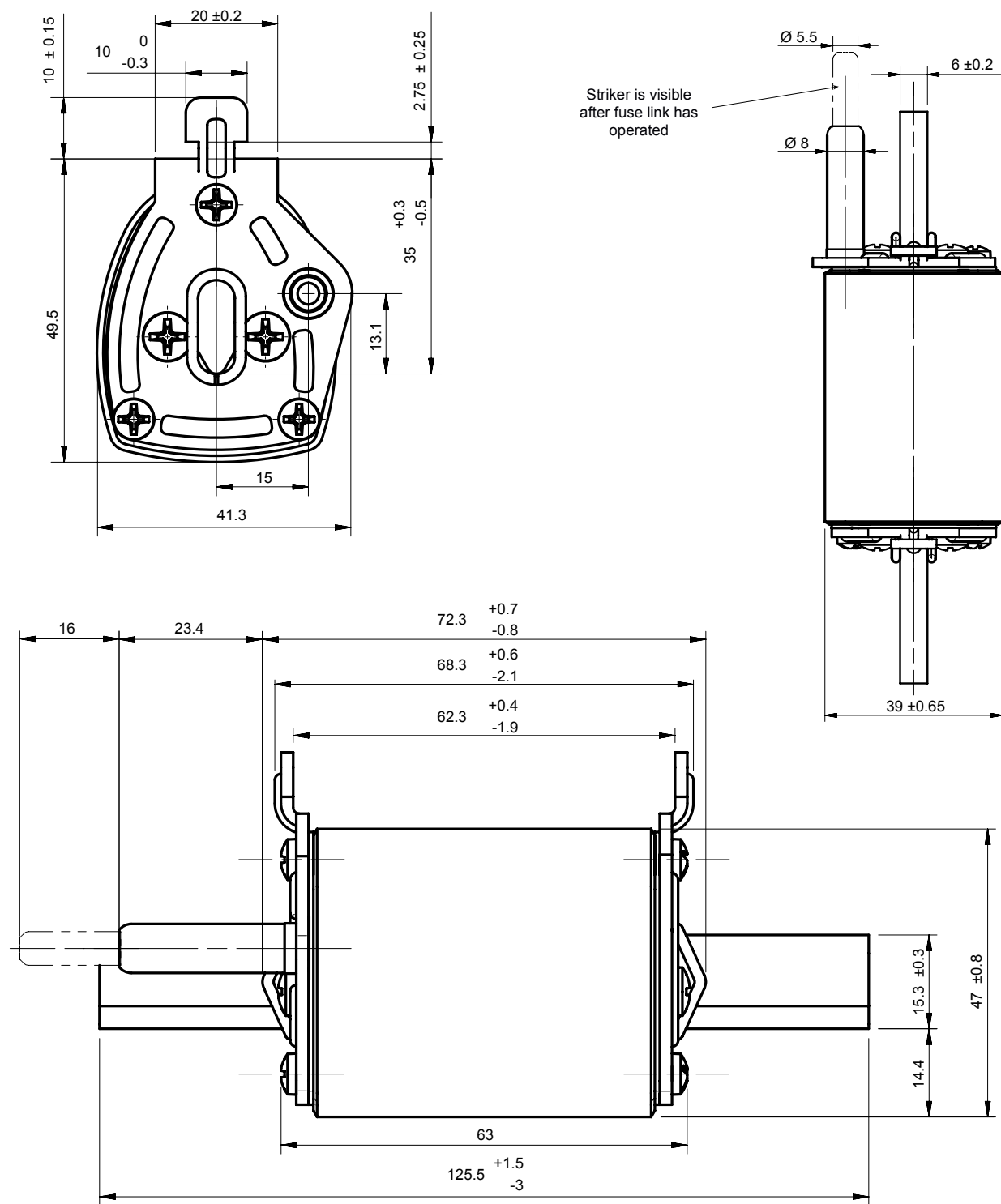


NH fuse-links aM 500 - 690VAC

with striker, size 0, 1, 2, 3, 4

DIMENSIONS

Size 0 (126458)



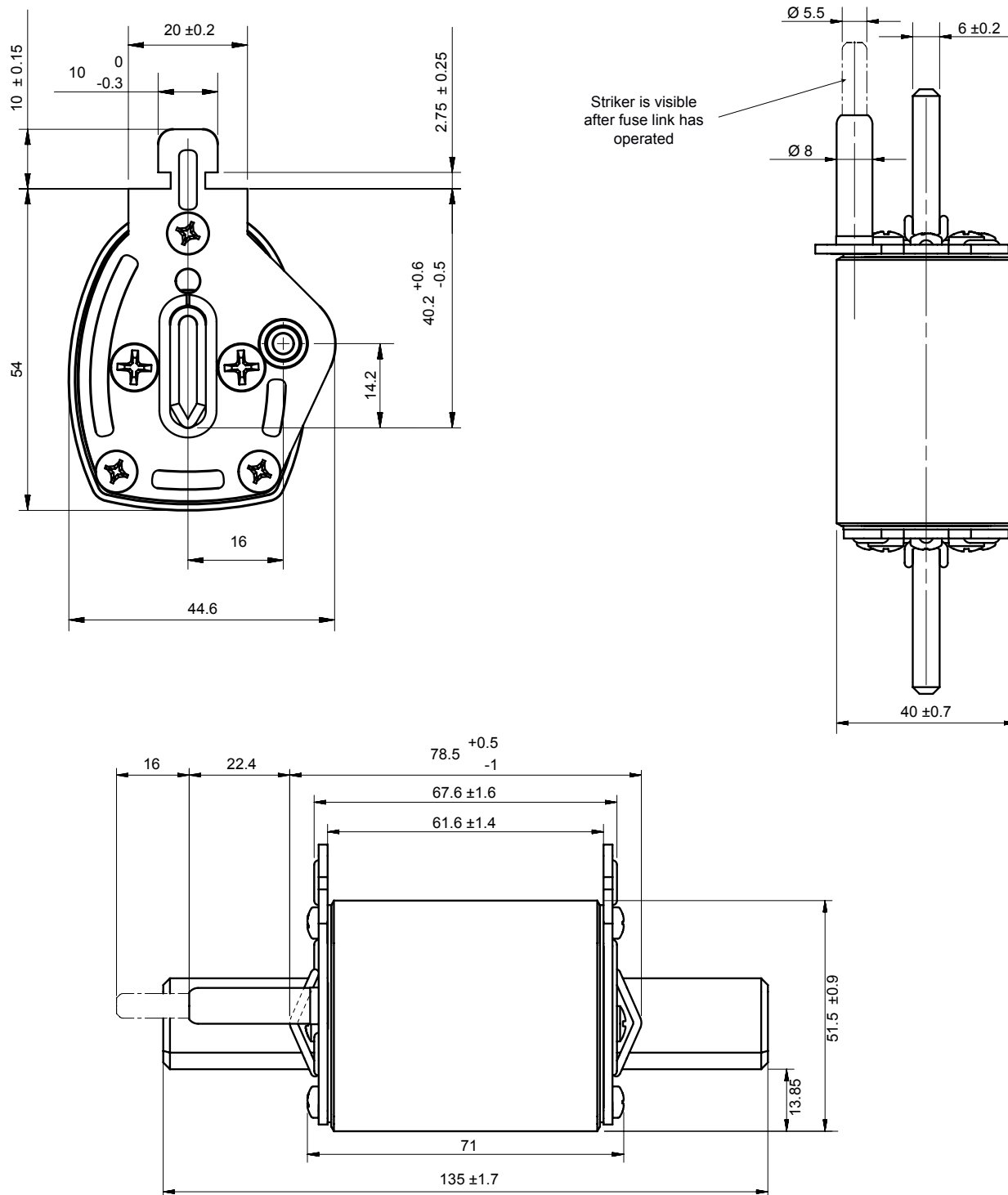
Dimensions in mm

NH fuse-links aM 500 - 690VAC

with striker, size 0, 1, 2, 3, 4

DIMENSIONS

Size 1 (126503)



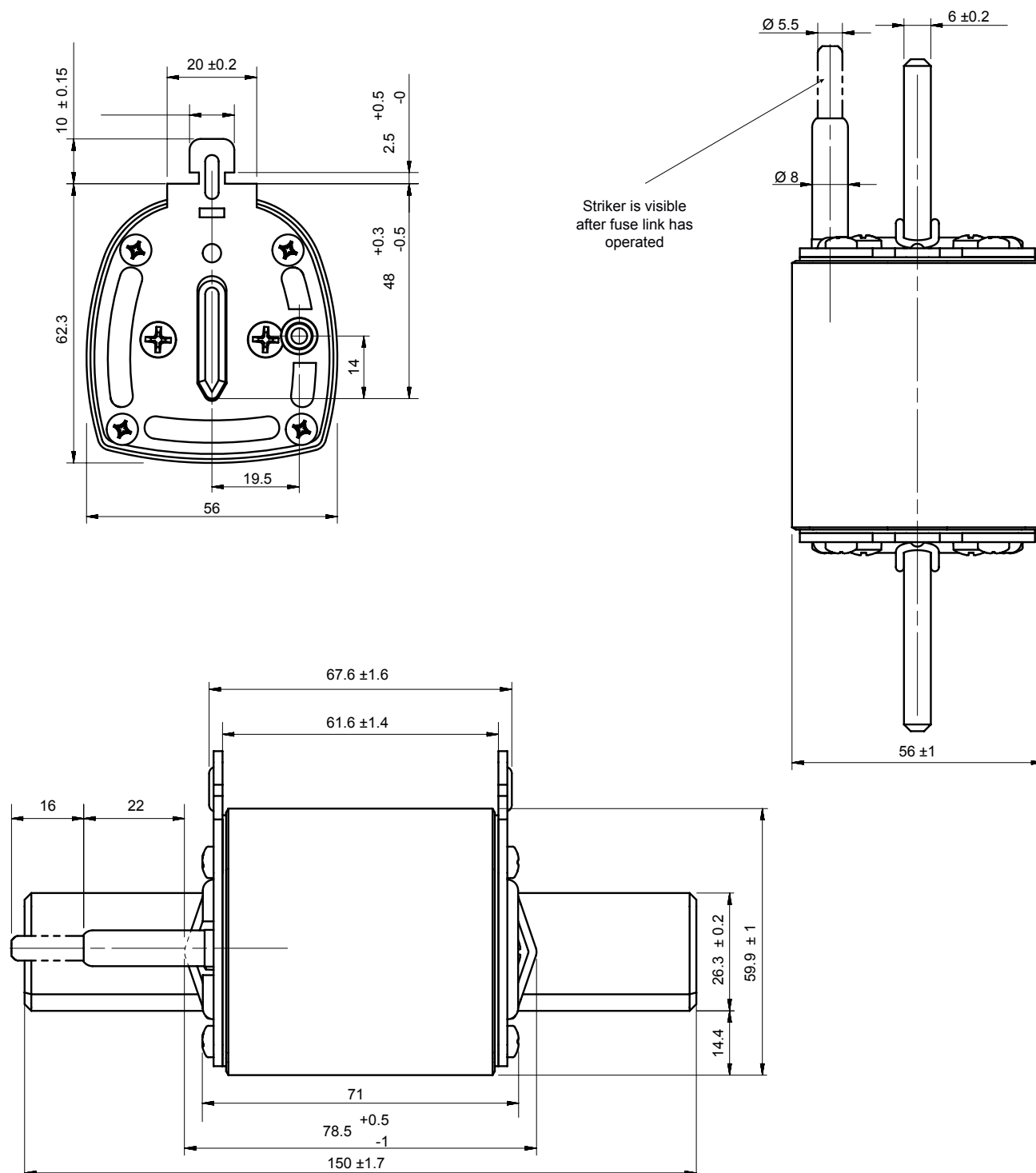
Dimensions in mm

NH fuse-links aM 500 - 690VAC

with striker, size 0, 1, 2, 3, 4

DIMENSIONS

Size 2 (126505)



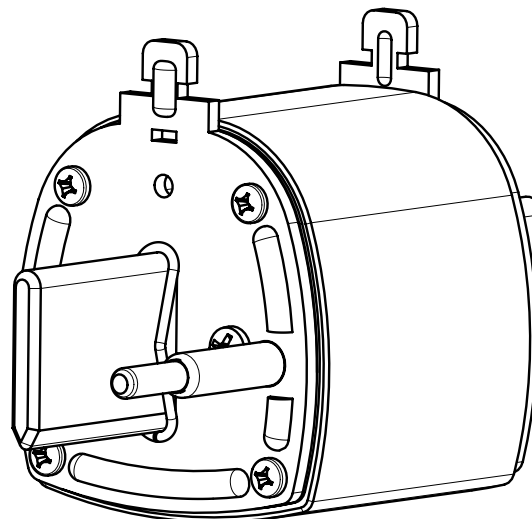
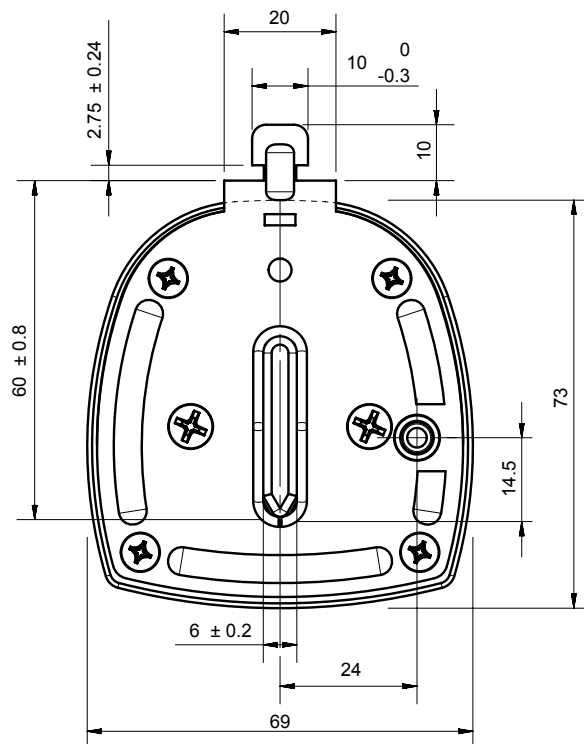
Dimensions in mm

NH fuse-links aM 500 - 690VAC

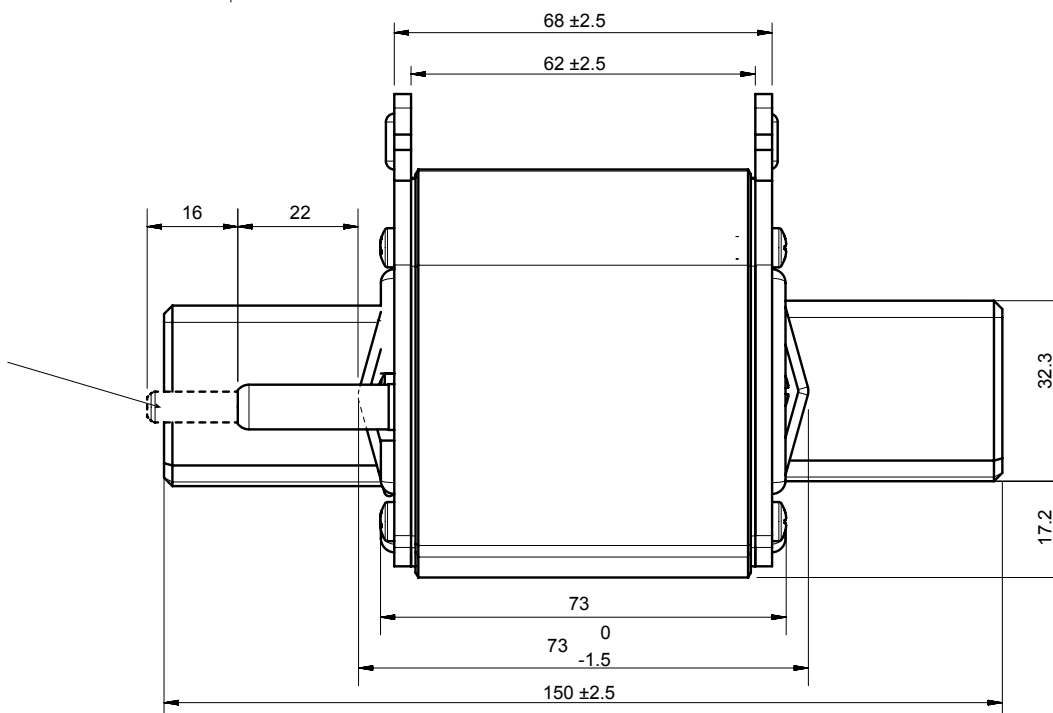
with striker, size 0, 1, 2, 3, 4

DIMENSIONS

Size 3 (126508)



Striker is visible after fuse link has operated



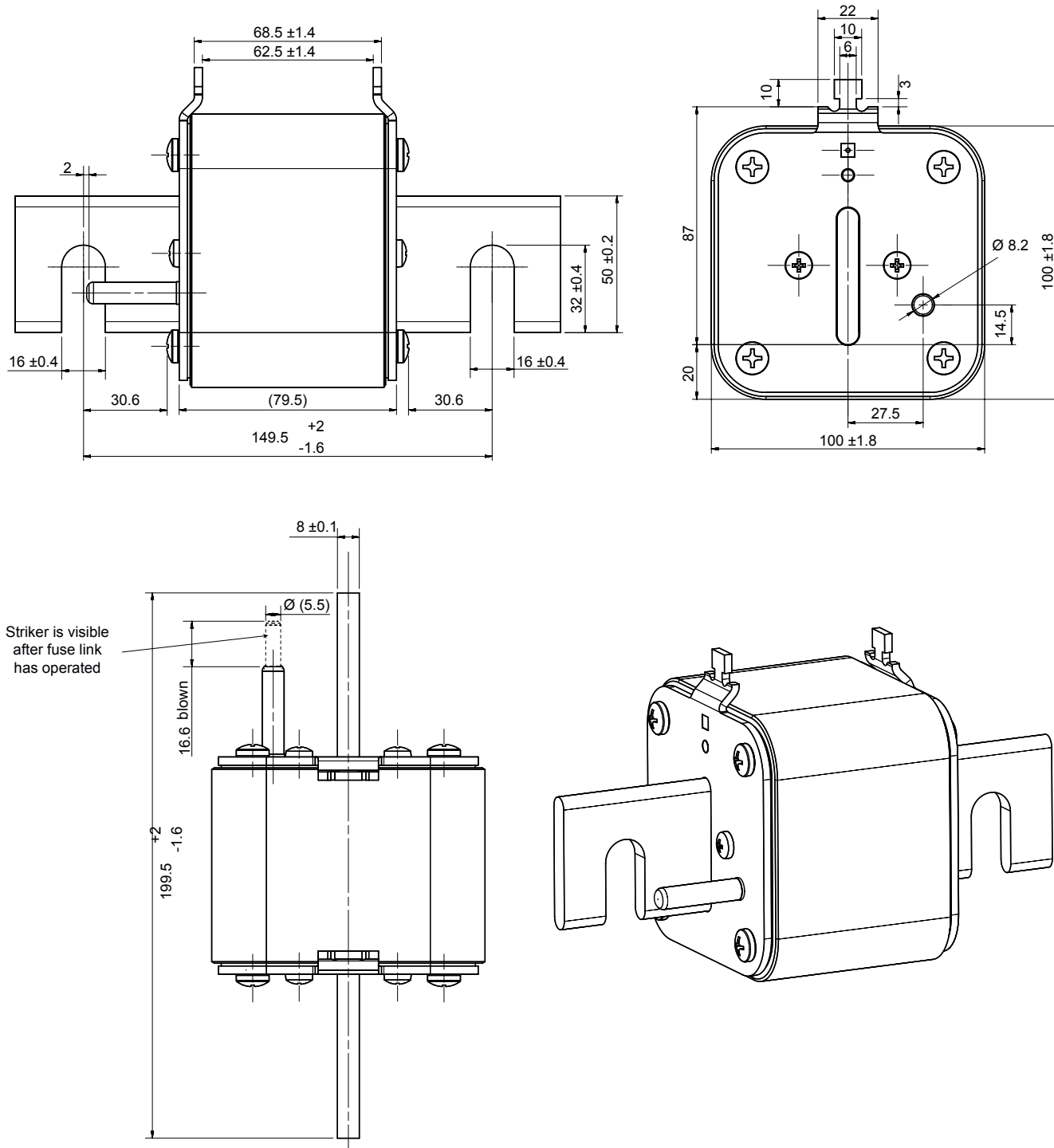
Dimensions in mm

NH fuse-links aM 500 - 690VAC

with striker, size 0, 1, 2, 3, 4

DIMENSIONS

Size 4 (1037473)



Dimensions in mm