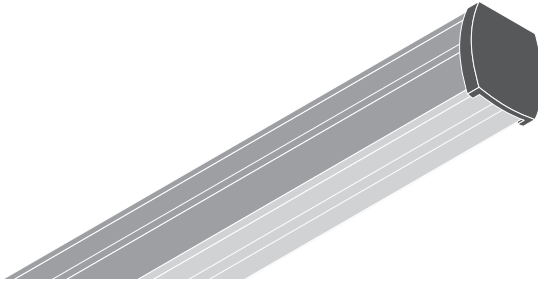
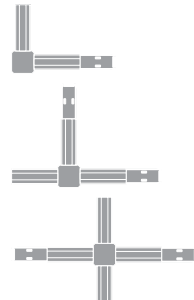


TruSys® FLEX TRUNKING SYSTEM ON/OFF

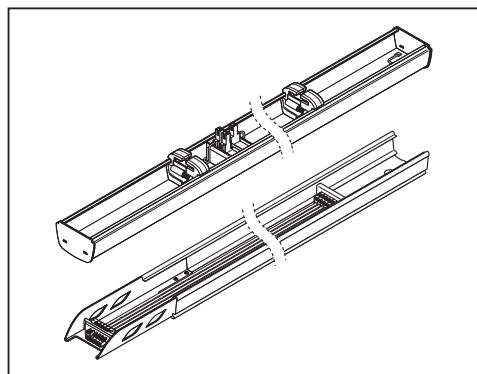


	EAN	l x w x h [mm]	W	VAC	Hz	lm	lm/W
TRUSYS FLEX P 35W 840 VW CL WT	4058075771017	1500x77.7x39.4	35	220-240V	50/60Hz	6000	175
TRUSYS FLEX P 35W 840 W CL WT	4058075771093	1500x77.7x39.4	35	220-240V	50/60Hz	6000	175
TRUSYS FLEX P 35W 840 N CL WT	4058075771307	1500x77.7x39.4	35	220-240V	50/60Hz	6000	175
TRUSYS FLEX P 35W 840 VN CL WT	4058075771345	1500x77.7x39.4	35	220-240V	50/60Hz	6000	175
TRUSYS FLEX P 35W 840 DS CL WT	4058075771383	1500x77.7x39.4	35	220-240V	50/60Hz	6000	175
TRUSYS FLEX P 35W 840 W OP WT	4058075771406	1500x77.7x39.4	35	220-240V	50/60Hz	5800	167
TRUSYS FLEX P 35W 840 WW CL WT	4099854190636	1500x77.7x39.4	35	220-240V	50/60Hz	6000	175
TRUSYS FLEX P 50W 840 VW CL WT	4058075771444	1500x77.7x39.4	50	220-240V	50/60Hz	8600	175
TRUSYS FLEX P 50W 840 W CL WT	4058075771482	1500x77.7x39.4	50	220-240V	50/60Hz	8600	175
TRUSYS FLEX P 50W 840 N CL WT	4058075771574	1500x77.7x39.4	50	220-240V	50/60Hz	8600	175
TRUSYS FLEX P 50W 840 VN CL WT	4058075771604	1500x77.7x39.4	50	220-240V	50/60Hz	8600	175
TRUSYS FLEX P 50W 840 DS CL WT	4058075771802	1500x77.7x39.4	50	220-240V	50/60Hz	8600	175
TRUSYS FLEX P 50W 840 W OP WT	4058075771826	1500x77.7x39.4	50	220-240V	50/60Hz	8300	167
TRUSYS FLEX P 50W 840 WW CL WT	4099854190797	1500x77.7x39.4	50	220-240V	50/60Hz	8600	175
TRUSYS FLEX P 70W 840 VW CL WT	4058075771840	1500x77.7x39.4	70	220-240V	50/60Hz	12100	175
TRUSYS FLEX P 70W 840 W CL WT	4058075771864	1500x77.7x39.4	70	220-240V	50/60Hz	12100	175
TRUSYS FLEX P 70W 840 N CL WT	4058075771888	1500x77.7x39.4	70	220-240V	50/60Hz	12100	175
TRUSYS FLEX P 70W 840 VN CL WT	4058075771925	1500x77.7x39.4	70	220-240V	50/60Hz	12100	175
TRUSYS FLEX P 70W 840 DS CL WT	4058075771994	1500x77.7x39.4	70	220-240V	50/60Hz	12100	175
TRUSYS FLEX P 70W 840 W OP WT	4058075772090	1500x77.7x39.4	70	220-240V	50/60Hz	11700	167
TRUSYS FLEX P 70W 840 WW CL WT	4099854190957	1500x77.7x39.4	70	220-240V	50/60Hz	12100	175
TRUSYS FLEX P RAIL 1500 5P WT	4058075781672	1650x70.2x38.8	-	-	-	-	-
TRUSYS FLEX P RAIL 1500 5P END WT	4058075781733	1500x70.2x38.8	-	-	-	-	-
TRUSYS FLEX P RAIL 3000 5P WT	4058075781757	3150x70.2x38.8	-	-	-	-	-
TRUSYS FLEX P RAIL 4500 5P WT	4058075793156	4650x70.2x38.8	-	-	-	-	-

	EAN	l x w x h [mm]
TRUSYS FLEX L01-NODE 8P WT	4058075782099	446x296x59
TRUSYS FLEX L01-NODE 5P WT	4058075782075	446x296x59
TRUSYS FLEX L02-NODE 5P WT	4058075782082	446x296x59
TRUSYS FLEX L02-NODE 8P WT	4058075782105	446x296x59
TRUSYS FLEX T01-NODE 5P WT	4058075782112	650x446x59
TRUSYS FLEX T01-NODE 8P WT	4058075782143	650x446x59
TRUSYS FLEX T02-NODE 5P WT	4058075782129	650x446x59
TRUSYS FLEX T02-NODE 8P WT	4058075782150	650x446x59
TRUSYS FLEX T03-NODE 5P WT	4058075782136	800x296x59
TRUSYS FLEX T03-NODE 8P WT	4058075782167	800x296x59
TRUSYS FLEX X01-NODE 5P WT	4058075782174	800x650x59
TRUSYS FLEX X01-NODE 8P WT	4058075782181	800x650x59

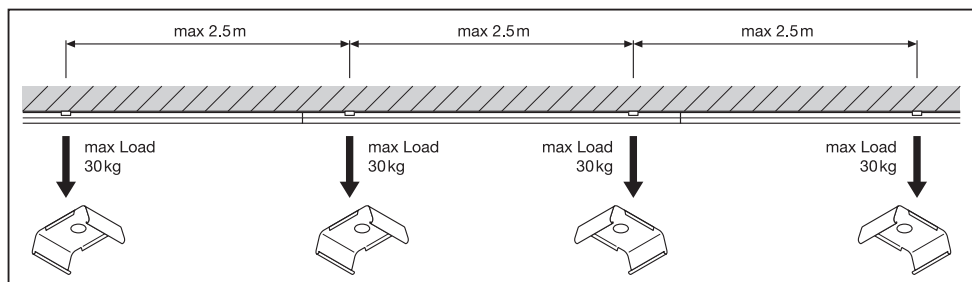


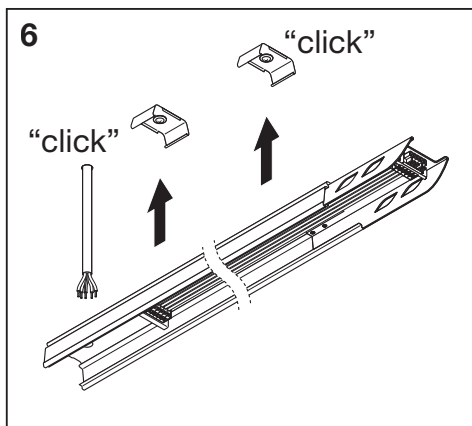
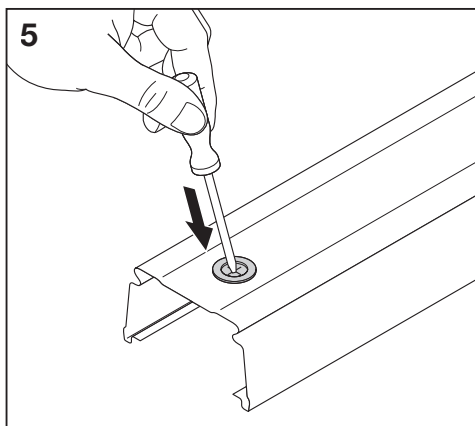
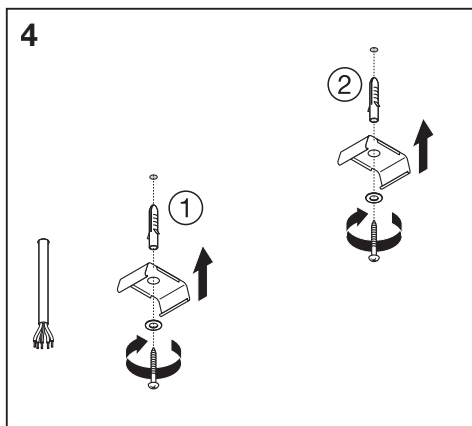
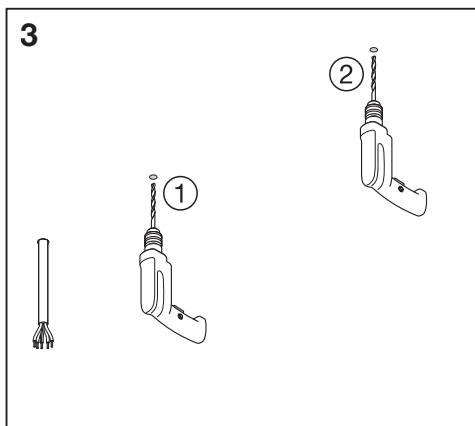
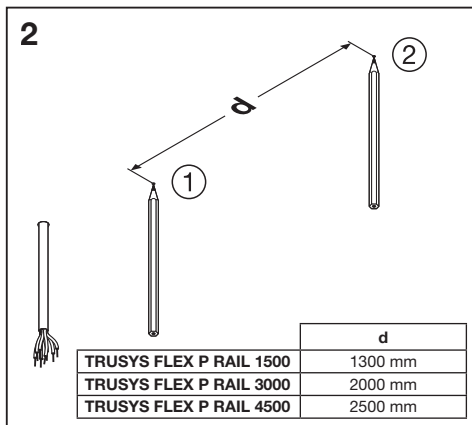
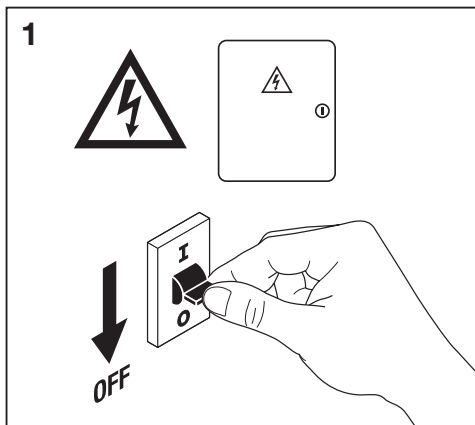
	EAN	K	IP	IK	▽	R _a	Δ (°C)	PF	⊙	👤
TRUSYS FLEX P 35W 840 VW CL WT	4058075771017	4000	40	04	120°	≥ 80	-25...+40	≥0.95	–	1.7 kg
TRUSYS FLEX P 35W 840 W CL WT	4058075771093	4000	40	04	90°	≥ 80	-25...+40	≥0.95	–	1.7 kg
TRUSYS FLEX P 35W 840 N CL WT	4058075771307	4000	40	04	60°	≥ 80	-25...+40	≥0.95	–	1.7 kg
TRUSYS FLEX P 35W 840 VN CL WT	4058075771345	4000	40	04	30°	≥ 80	-25...+40	≥0.95	–	1.7 kg
TRUSYS FLEX P 35W 840 DS CL WT	4058075771383	4000	40	04	2 x 30°	≥ 80	-25...+40	≥0.95	–	1.7 kg
TRUSYS FLEX P 35W 840 W OP WT	4058075771406	4000	40	04	90°	≥ 80	-25...+40	≥0.95	–	1.7 kg
TRUSYS FLEX P 35W 840 WW CL WT	4099854190636	4000	40	04	40°	≥ 80	-25...+40	≥0.95	–	1.7 kg
TRUSYS FLEX P 50W 840 VW CL WT	4058075771444	4000	40	04	120°	≥ 80	-25...+40	≥0.95	–	1.7 kg
TRUSYS FLEX P 50W 840 W CL WT	4058075771482	4000	40	04	90°	≥ 80	-25...+40	≥0.95	–	1.7 kg
TRUSYS FLEX P 50W 840 N CL WT	4058075771574	4000	40	04	60°	≥ 80	-25...+40	≥0.95	–	1.7 kg
TRUSYS FLEX P 50W 840 VN CL WT	4058075771604	4000	40	04	30°	≥ 80	-25...+40	≥0.95	–	1.7 kg
TRUSYS FLEX P 50W 840 DS CL WT	4058075771802	4000	40	04	2 x 30°	≥ 80	-25...+40	≥0.95	–	1.7 kg
TRUSYS FLEX P 50W 840 W OP WT	4058075771826	4000	40	04	90°	≥ 80	-25...+40	≥0.95	–	1.7 kg
TRUSYS FLEX P 50W 840 WW CL WT	4099854190797	4000	40	04	40°	≥ 80	-25...+40	≥0.95	–	1.7 kg
TRUSYS FLEX P 70W 840 VW CL WT	4058075771840	4000	40	04	120°	≥ 80	-25...+40	≥0.95	–	1.7 kg
TRUSYS FLEX P 70W 840 W CL WT	4058075771864	4000	40	04	90°	≥ 80	-25...+40	≥0.95	–	1.7 kg
TRUSYS FLEX P 70W 840 N CL WT	4058075771888	4000	40	04	60°	≥ 80	-25...+40	≥0.95	–	1.7 kg
TRUSYS FLEX P 70W 840 VN CL WT	4058075771925	4000	40	04	30°	≥ 80	-25...+40	≥0.95	–	1.7 kg
TRUSYS FLEX P 70W 840 DS CL WT	4058075771994	4000	40	04	2 x 30°	≥ 80	-25...+40	≥0.95	–	1.7 kg
TRUSYS FLEX P 70W 840 W OP WT	4058075772090	4000	40	04	90°	≥ 80	-25...+40	≥0.95	–	1.7 kg
TRUSYS FLEX P 70W 840 WW CL WT	4099854190957	4000	40	04	40°	≥ 80	-25...+40	≥0.95	–	1.7 kg
TRUSYS FLEX P RAIL 1500 5P WT	4058075781672	–	–	04	–	–	–	–	–	1.6 kg
TRUSYS FLEX P RAIL 1500 5P END WT	4058075781733	–	–	04	–	–	–	–	–	1.4 kg
TRUSYS FLEX P RAIL 3000 5P WT	4058075781757	–	–	04	–	–	–	–	–	3.0 kg
TRUSYS FLEX P RAIL 4500 5P WT	4058075793156	–	–	04	–	–	–	–	–	4.2 kg



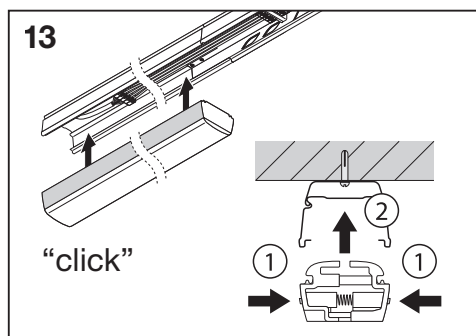
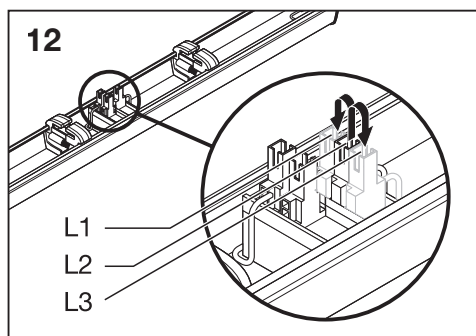
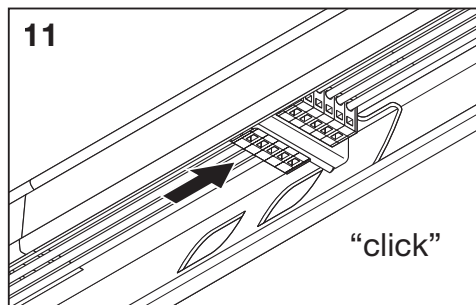
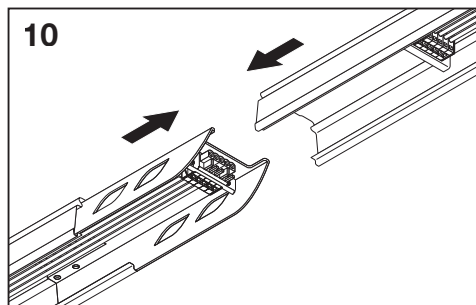
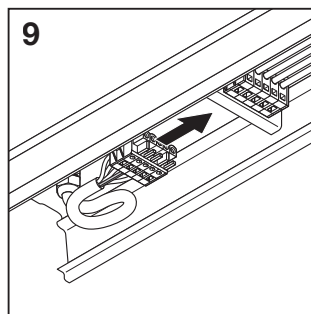
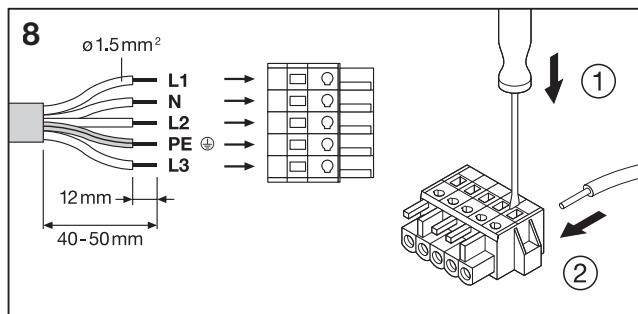
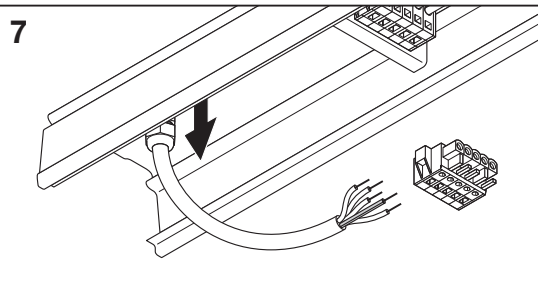
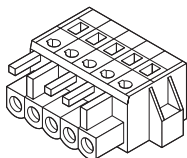
**TRUSYS FLEX
SURFACE CLIP**
EAN 4058075781894

2x

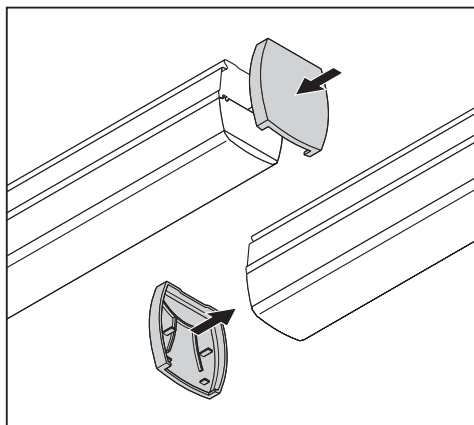
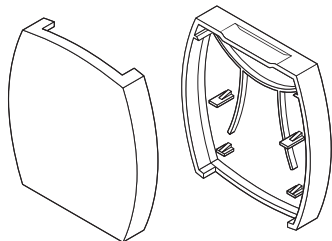




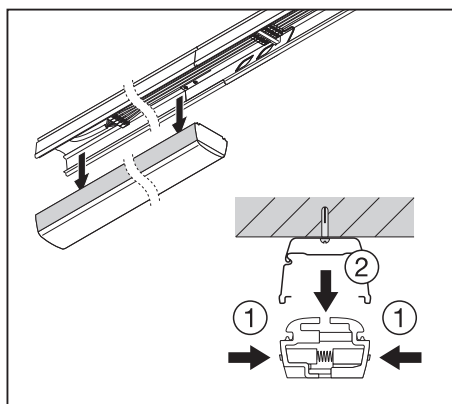
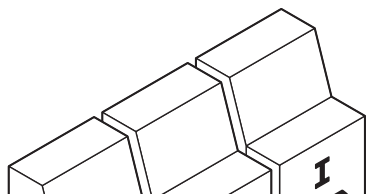
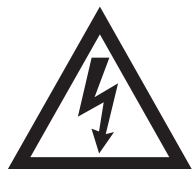
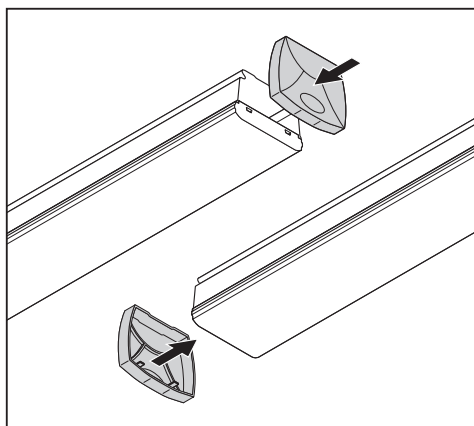
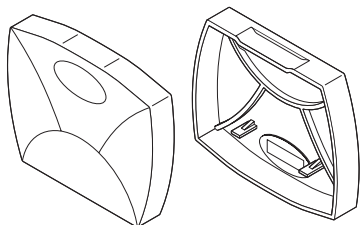
TRUSYS FLEX FEED IN 5P
EAN 4058075781931



TRUSYS FLEX
END CAP RAIL WT
EAN 4058075781856

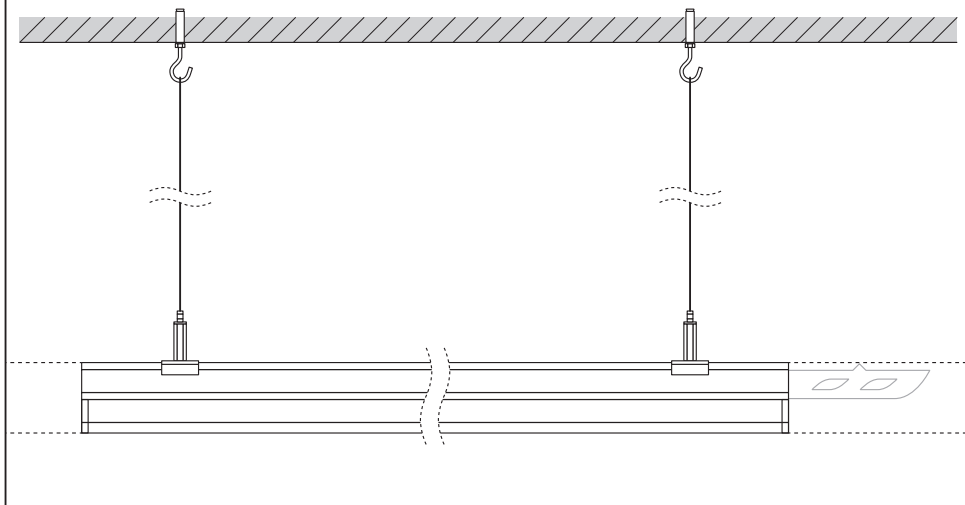
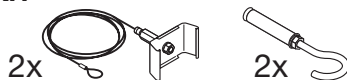


TRUSYS FLEX
END CAP LOW RAIL WT
EAN 4058075781870



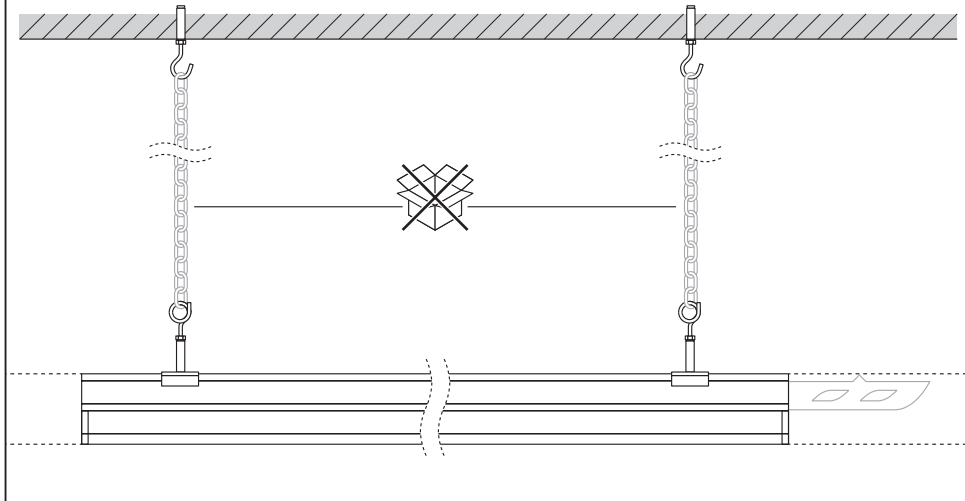
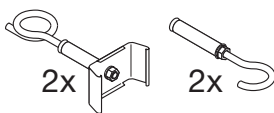
TRUSYS FLEX SUSPENSION KIT

EAN 4058075781795



TRUSYS FLEX CHAIN KIT

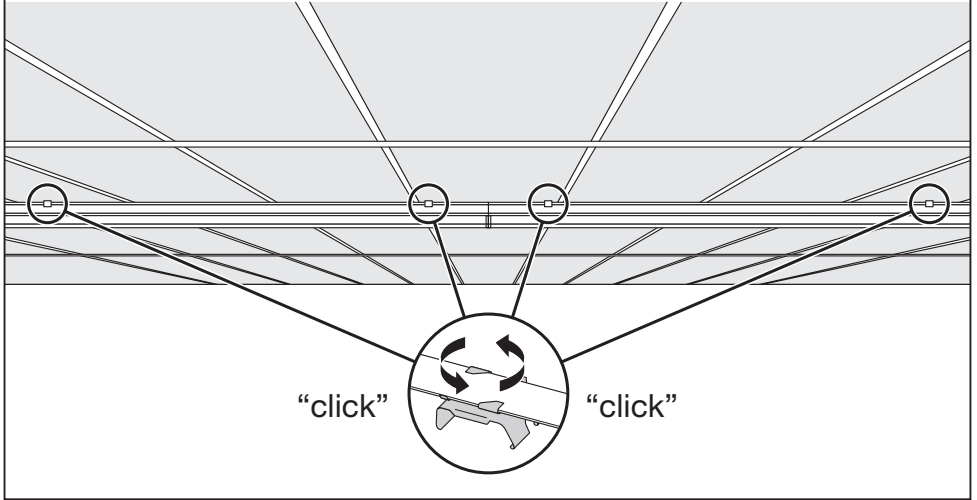
EAN 4058075781818



TRUSYS FLEX GRID CEILING CLIP

EAN 4058075781917

2x

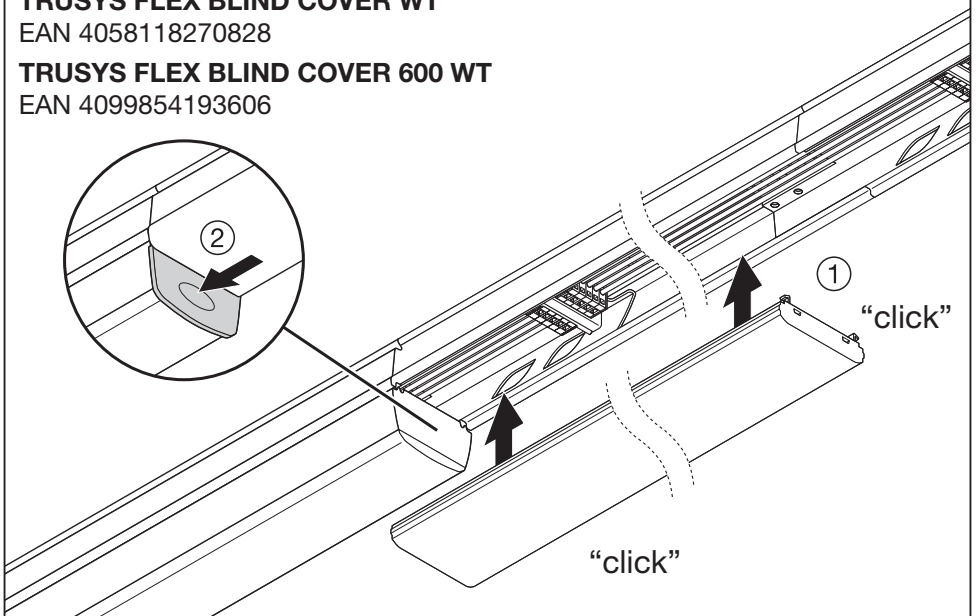


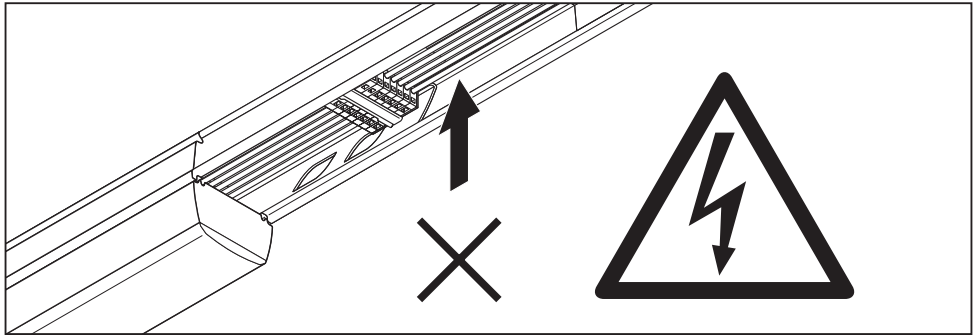
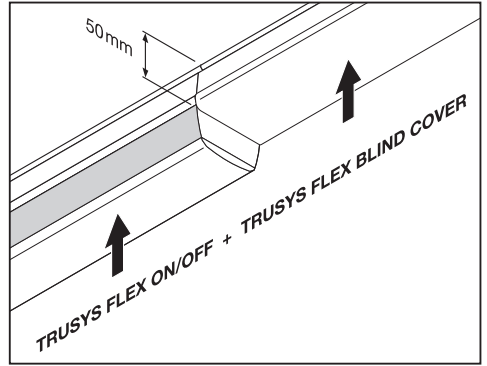
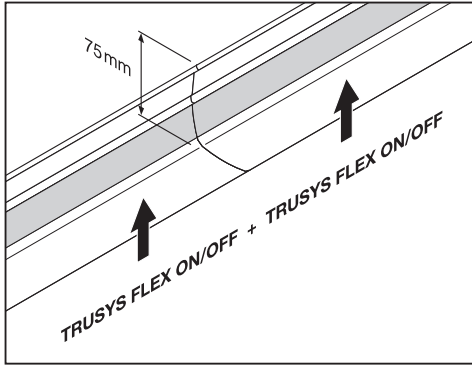
TRUSYS FLEX BLIND COVER WT

EAN 4058118270828

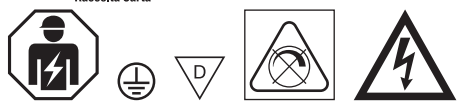
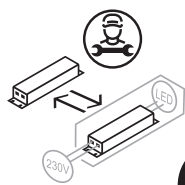
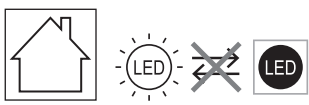
TRUSYS FLEX BLIND COVER 600 WT

EAN 4099854193606





	2x TRUSYS FLEX P RAIL		...	nx TRUSYS FLEX P RAIL	1x TRUSYS FLEX P RAIL END	
	C10 A	B16 A		C16 A	Inrush current	Inrush Charge Time
TRUSYS FLEX 35W 840	17	22		27	27.5 A	148 μs
TRUSYS FLEX 50W 840	10	13		17	32 A	182 μs
TRUSYS FLEX 70W 840	7	8		12	38.8 A	230 μs



LEDVANCE GmbH
Steinerne Furt 62
86167 Augsburg, Germany
www.ledvance.com

FR
Cet appareil et ses accessoires se recyclent

À DÉPOSER EN MAGASIN À DÉPOSER EN DÉCHÈTERIE

OU

Points de collecte sur www.quefairemesdechets.fr

C10449058
G11183769
21.12.23

© LEDVANCE Ltd, Aquila House
Delta Crescent, Westbrook, Warrington
WA5 7NR, United Kingdom