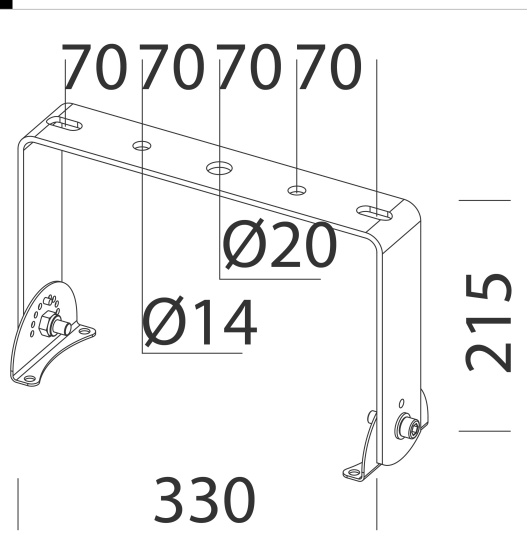
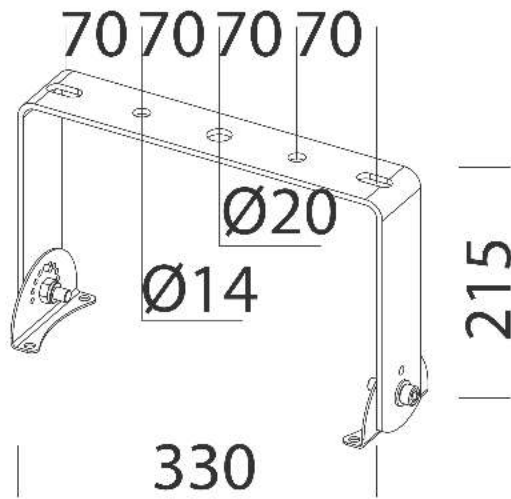


Download
DXF 2D
- staffa35.dxf



Code	Kg	WTot	Colour
22025935-00	0,02	0 W	GRAPHITE

Prodotti



- 3500 Argon 3.5

The reported luminous flux is the flux emitted by the light source with a tolerance of $\pm 10\%$ compared to the indicated value. The W tot column indicates the total wattage absorbed by the system without exceeding 10% of the indicated