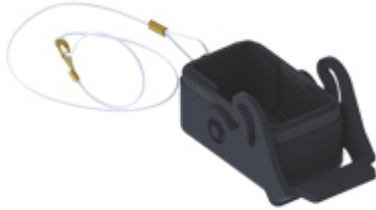


Part number

CXP 01 CLG



Cover, MIXO ONE series, with 1 lever, 1 module, for hood, with gasket and loop



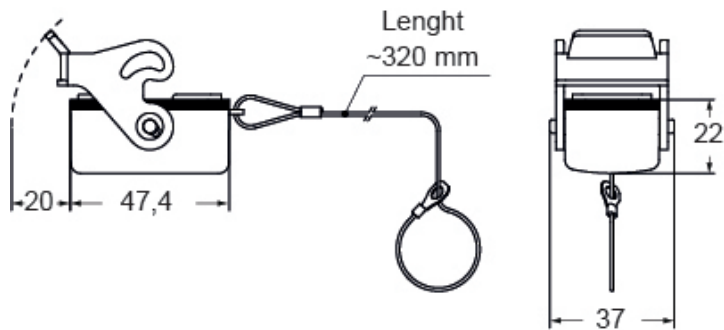
Product description		Material properties	
Product type	Cover	Other materials	Lever: Polyamide (PA) Loop: Nylon, galvanized brass
Series	MIXO ONE	RoHs conformity	Compliant
Closing type	With 1 lever	China RoHs - EFUP	E
Size	1 module	REACH SVHC substances	No
Specification	With gasket and loop	Approvals / Standards	
Technical data		Certifications	DNV
IP degree of protection	IP65	UL	ECBT2
Further technical details		cUL	ECBT8
Weight	19,50 g	General ordering information	
Operating temperature range (min, max)	-40°C...+125°C	EAN13 code	8015747263504
UL 94 flammability rating	V-0	eCl@ss 8.1	27440208
		ETIM 7.0	EC002314
		Packaging Information	
		Packaging length	160,00 mm
		Packaging height	115,00 mm
		Packaging width	137,00 mm
		Packaging weight	0,50 kg
		Packaging volume	2,52 dm ³
		Packaging description	Carton box
		Packaging quantity	10 Pcs
		Packaging EAN code	8015747263511
		Sub-packaging weight	0,05 kg
		Sub-packaging description	Plastic bag
		Sub-packaging quantity	1 Pcs
		Sub-packaging EAN barcode	8015747263528

Part number

CXP 01 CLG



Catalogue drawings



Notes

Dimensions shown in mm are not binding and may be changed without notice.
