

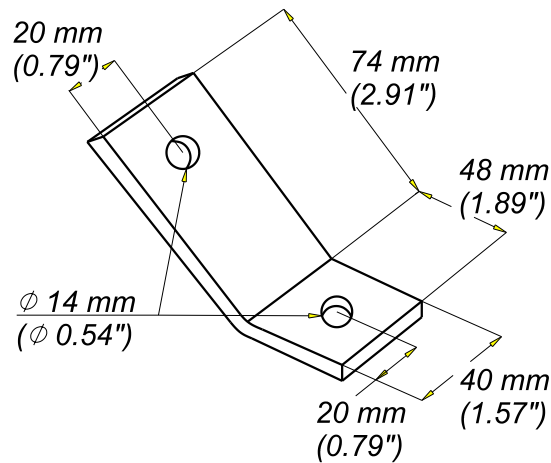
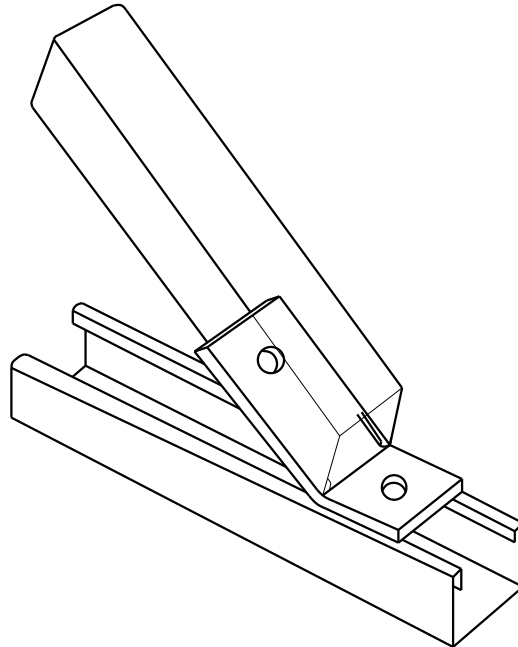
EQUERRE 135°
135 ° ANGLE

GC
HDG

legrand | CABLE
MANAGEMENT

FT0244-3

02 16



Material	Standard	Finishes	Standard
S235JR	EN 10025	Hot dip galvanized	EN ISO 1461

REF	CODE	POIDS (Kg)	WEIGHT (lb)
EQ135	595 233	0.250	0.552

EPAISSEUR / THICKNESS
6 / (0.24")