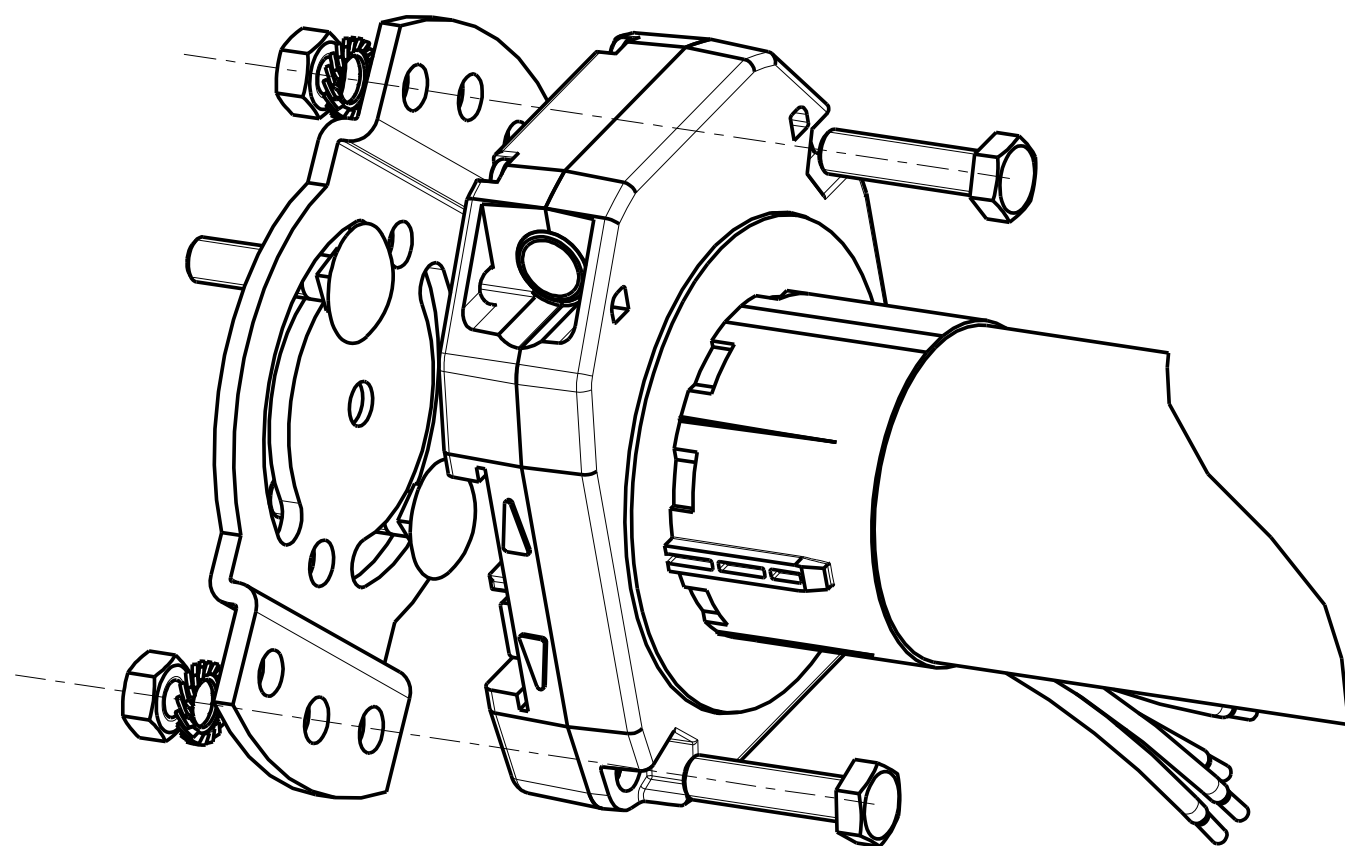
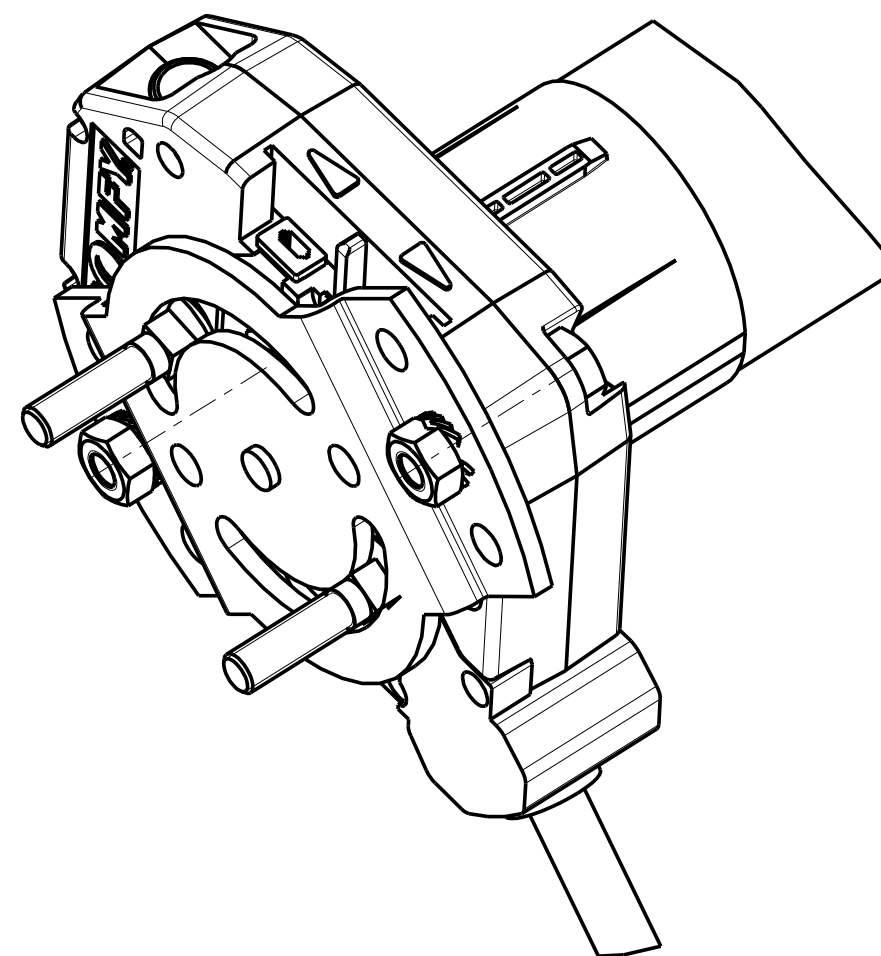
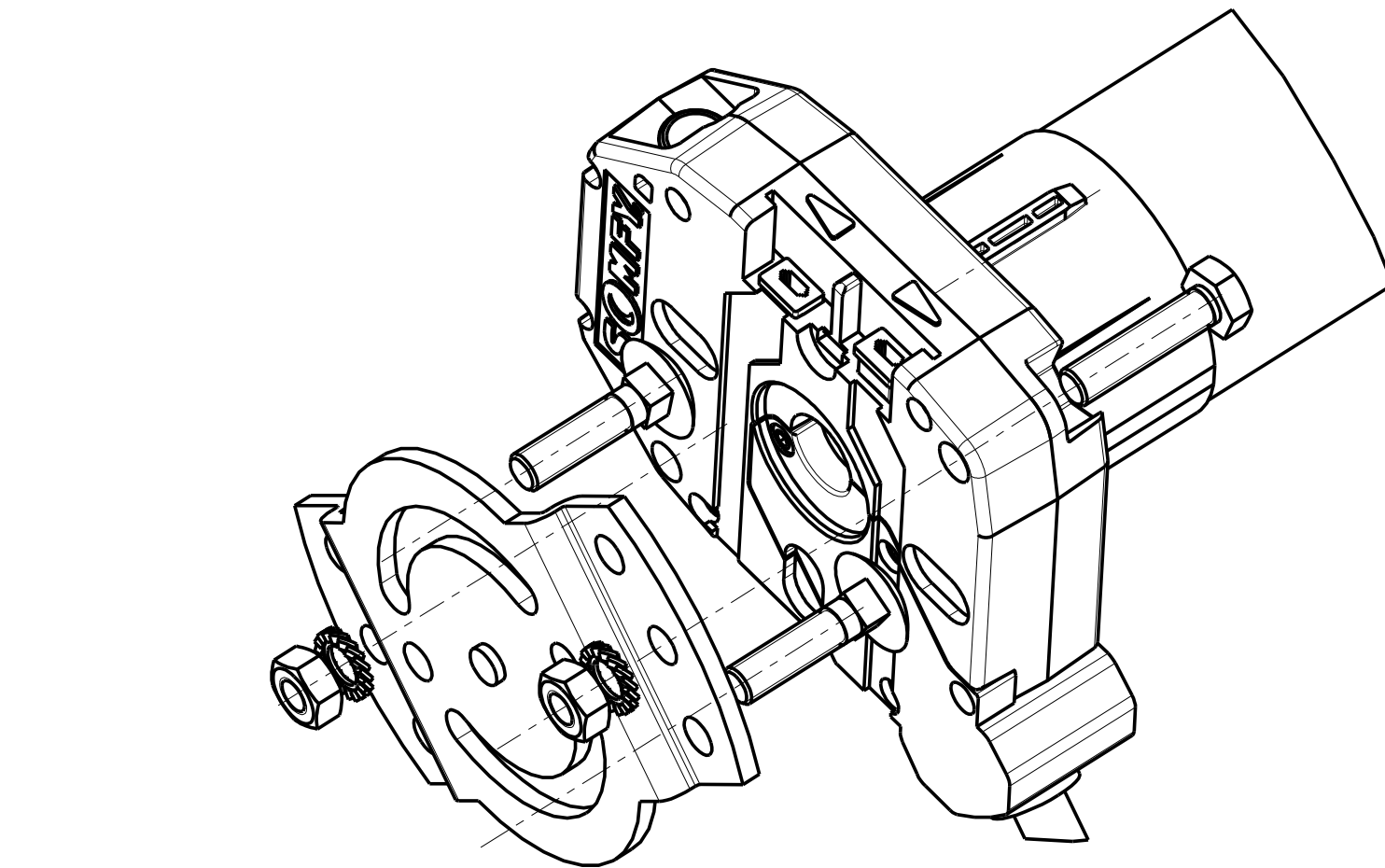


This drawing shall not be used, reproduced or passed on in any way, in full or in part, without SOMFY written approval. All rights reserved

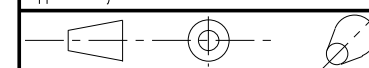


N° de FIM: PAS DE FIM

somfy
FRANCE

GENERAL TOLERANCES AND
GEOMETRIC TOLERANCES
IN ACCORDANCE WITH CLU-SDEV-DOC04(V1):

Drawing By: - date:00/00/00
Approved By: - date:



MODIF.	MODIFICATION DESCRIPTION	DATE	NAME

MATERIAL:
-
-
-

DESIGNATION: PLAN D'INTERFACE TETE CSI
CSI HEAD INTERFACE DRAWING

Scale: 1 / 1 Ind. link: -

N° : ECLATE X 00