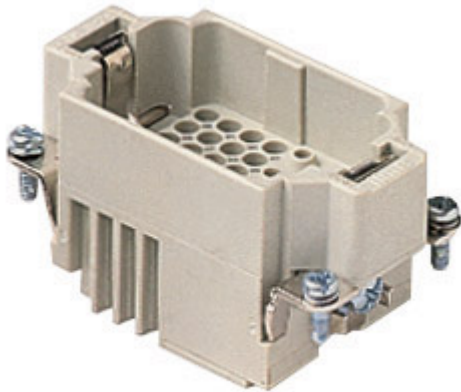


Part number

CXM 8/24



Male insert, CX series, crimp connection, 8 + 24 poles + PE, 16 A 230/400 V 4 kV 3 / 10 A 160 V 2,5 kV 3, size "57.27"

Product description	
Product type	Insert
Series	CX
Connection type	Crimp connection
Gender	Male
N. of poles	8 poles +
Auxiliary poles	24D
Size	Size 57.27
Technical data	
Current	16 A
Voltage	230 - 400 V
Rated impulse withstand voltage	4 kV
Pollution degree	3
Rated voltage according to UL/CSA	600 V
IP degree of protection	IP20 without enclosure, IP65/IP66/IP68/IP69 with enclosure
Further technical details	
Characteristics according to EN 61984	16A 230/400V 4kV 3 / 10A 160V 2,5kV 3; 16A 400V 4kV 2 / 10A 250V 4kV 2
Mating cycles	≥ 500
Insulation resistance	≥ 10 GΩ
Contact resistance	≤ 1 mΩ (8 poles); ≤ 3 mΩ (24 poles)
Weight	50,50 g
Operating temperature range (min, max)	-40 °C ... +125 °C
UL 94 flammability rating	V-0

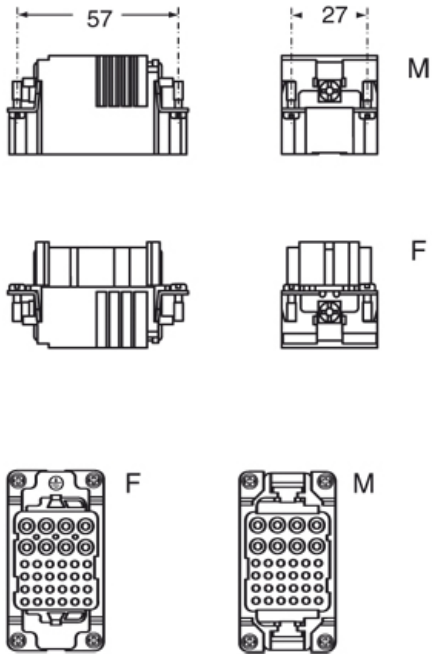
Material properties	
Main material	Polycarbonate (PC)
Colour	RAL 7032 grey
RoHs conformity	Compliant
China RoHs - EFUP	E
REACH SVHC substances	No
Approvals / Standards	
Reference standard	EN 61984:2009-06
Certifications	CSAc, CQC, DNV, BV, EAC
UL	ECBT2
General ordering information	
EAN13 code	8015747042734
eCl@ss 8.1	27440205
ETIM 7.0	EC000438
Packaging Information	
Sub-packaging length	67,00 mm
Sub-packaging height	36,00 mm
Sub-packaging width	180,00 mm
Sub-packaging weight	0,25 kg
Sub-packaging volume	0,43 dm ³
Sub-packaging description	Carton tray
Sub-packaging quantity	5 Pcs
Sub-packaging EAN barcode	8015747042741

Part number

CXM 8/24



Catalogue drawings



Catalogue drawings

diagram CX 8/24 power poles

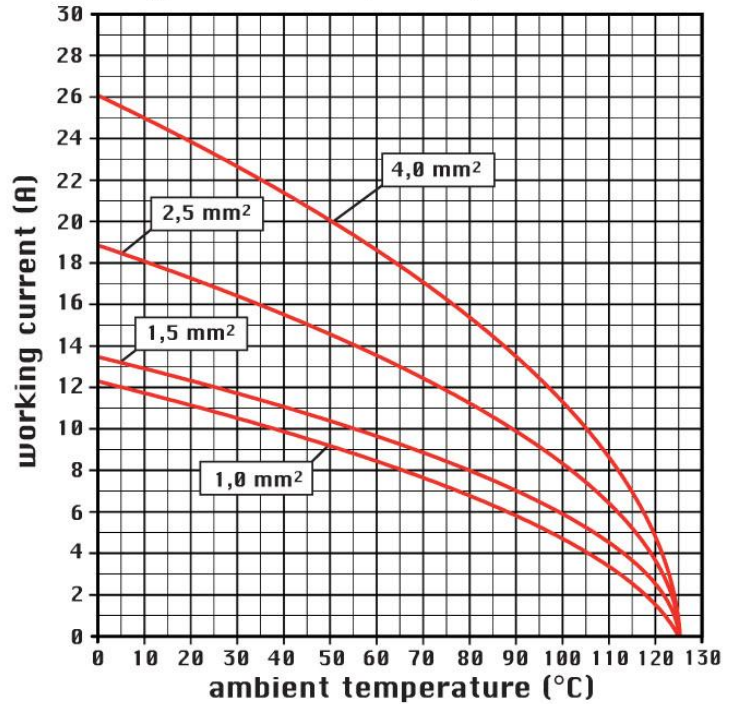
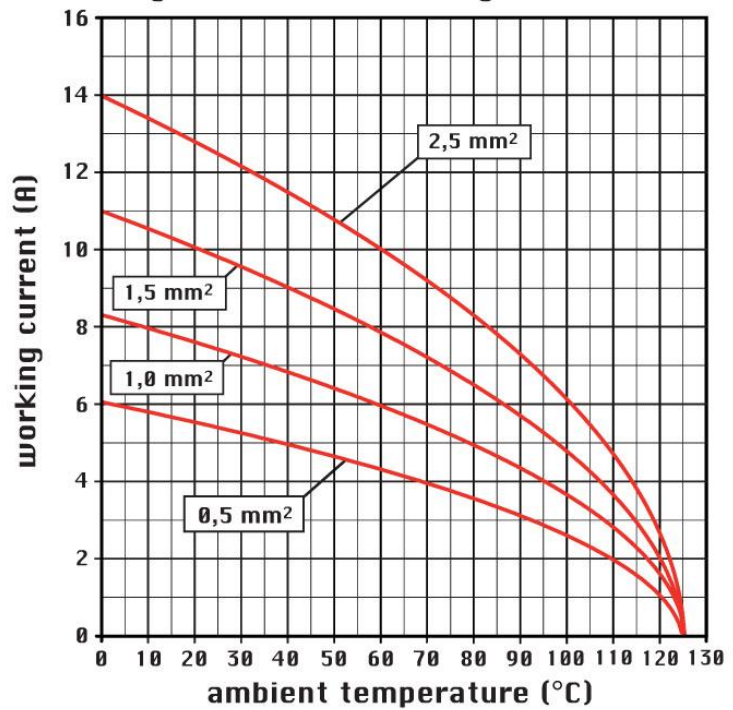


diagram CX 8/24 auxiliary poles



Notes

Dimensions shown in mm are not binding and may be changed without notice.
