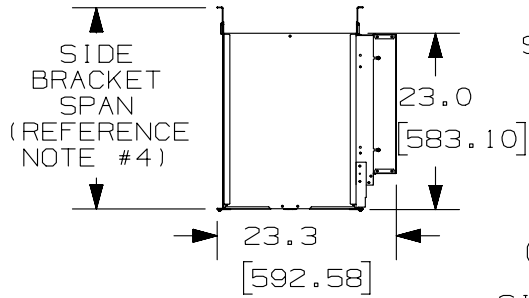
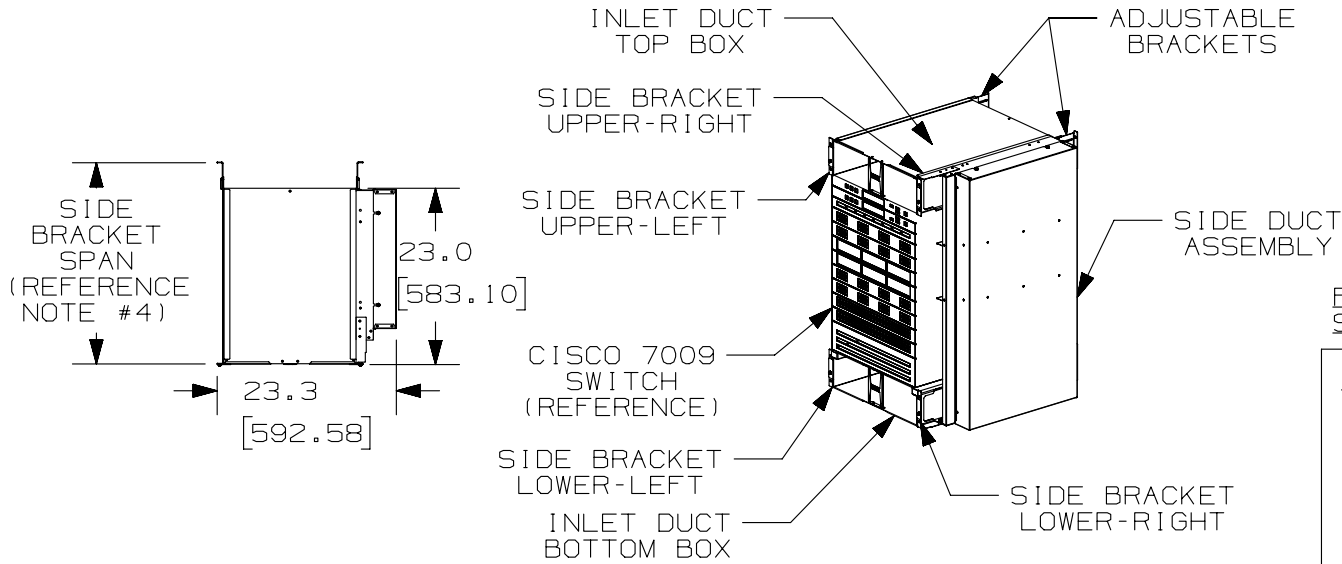


THIS COPY IS PROVIDED ON A RESTRICTED BASIS AND IS NOT TO BE USED IN ANY WAY DETRIMENTAL TO THE INTERESTS OF PANDUIT CORP.

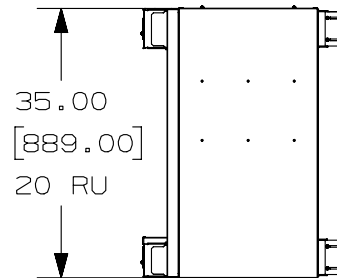
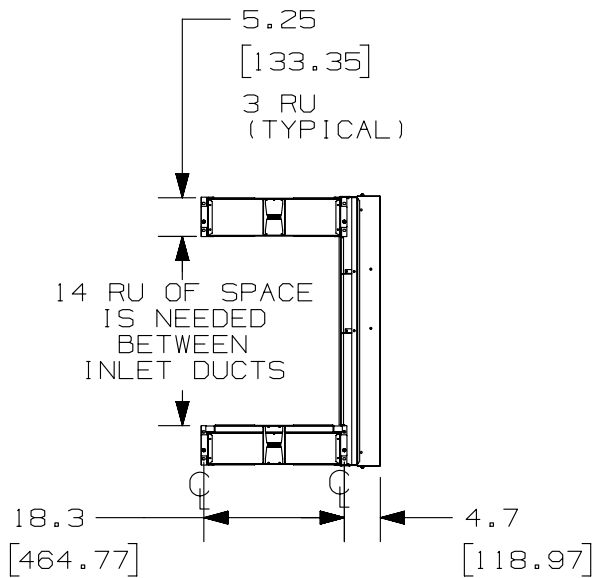


| PANDUIT PART NO. | WEIGHT                        |
|------------------|-------------------------------|
| CNLTD142A3       | 60.1 LBS/EACH<br>24.3 kg/EACH |

FOR USE WITH PANDUIT NET-ACCESS SWITCH CABINETS (N\*\*\* OR CN\*\*\*)

**NOTES:**

- VISIT OUR CATALOG ONLINE AT [WWW.PANDUIT.COM](http://WWW.PANDUIT.COM) FOR A LIST OF CURRENT PARTS APPLICABLE FOR USE WITH THIS PRODUCT.
- PARTS SUPPLIED:
  - 1 - SIDE BRACKET - UPPER RIGHT
  - 1 - SIDE BRACKET - UPPER LEFT
  - 1 - SIDE BRACKET - LOWER RIGHT
  - 1 - SIDE BRACKET - LOWER LEFT
  - 4 - ADJUSTABLE BRACKETS
  - 1 - SIDE DUCT ASSEMBLY
  - 1 - INLET DUCT - TOP BOX
  - 1 - INLET DUCT - BOTTOM BOX
  - 1 - MOUNTING HARDWARE KIT
- DIMENSIONS IN PARENTHESES ARE METRIC (mm).
- SIDE BRACKETS ADJUST FROM 24.25" TO 26.1" (616-663).



| TITLE   |          |      |     |     |                        |          |          |          |     |       |            |      |
|---|----------|------|-----|-----|------------------------|----------|----------|----------|-----|-------|------------|------|
| <b>INLET DUCT FOR CISCO 7009 (CNLTD142A3)</b> |          |      |     |     |                        |          |          |          |     |       |            |      |
| CUSTOMER DRAWING                              |          |      |     |     |                        |          |          |          |     |       |            |      |
| ITEM REVISION NAME                            |          |      |     |     | 11V233AY/04            |          |          |          |     |       |            |      |
| DATASET FILE NAME                             |          |      |     |     | 11V233AY_DC/04A        |          |          |          |     |       |            |      |
|   |          |      |     |     | <b>PANDUIT</b>         |          |          |          |     |       |            |      |
|   |          |      |     |     | MATERIAL:              |          |          |          |     |       |            |      |
|   |          |      |     |     | N/A                    |          |          |          |     |       |            |      |
|   |          |      |     |     | DRAWING NUMBER:        |          |          |          |     |       |            |      |
|   |          |      |     |     | 11V233AY               |          |          |          |     |       |            |      |
| REV   | DATE     | BY   | CHK | APR | DESCRIPTION            | ECN      | DRAWN BY | DATE     | CHK | SCALE | SHT 1 OF 4 | SIZE |
| 04A   | 03/06/13 | PJST |     |     | RELEASED TO PRODUCTION | 11V233AY | PJST     | 05/08/12 |     | N/A   |            | A    |

D10100DA/15

THIS COPY IS PROVIDED ON A RESTRICTED BASIS AND IS NOT TO BE USED IN ANY WAY DETRIMENTAL TO THE INTERESTS OF PANDUIT CORP.

DEVICE  
KEEP-OUT AREA  
RU 43 - 45

45 RU NET-ACCESS  
N\*\*\* TYPE  
CABINETS

DEVICE  
KEEP-OUT AREA  
RU 40 - 42

42 RU NET-ACCESS  
N\*\*\* TYPE  
CABINETS

DEVICE CAN BE  
INSTALLED IN  
RU 4 - 42

DEVICE CAN BE  
INSTALLED IN  
RU 4 - 39

DEVICE  
KEEP-OUT AREA  
RU 1 - 3

DEVICE  
KEEP-OUT AREA  
RU 1 - 3

NOTES:  
1. FOR NEW NET-ACCESS (N\*\*\*) CABINETS, THERE ARE NO  
DEVICE KEEP-OUT AREAS. THE ONLY RESTRICTION ON THE  
SWITCH PLACEMENT IS THAT 3 RU MUST BE LEFT OPEN  
ABOVE AND BELOW THE SWITCH.

|                    |          |   |       |      |
|--------------------|----------|---|-------|------|
| TITLE              |          | INLET DUCT FOR CISCO 7009<br>(CNLTD142A3) |       |      |
|                    |          | CUSTOMER DRAWING                          |       |      |
| ITEM REVISION NAME |          | 11V233AY/04                               |       |      |
| DATASET FILE NAME  |          | 11V233AY_DC/04A                           |       |      |
|                    |          | MATERIAL:<br><br>N/A                      |       |      |
|                    |          | DRAWING NUMBER:<br>11V233AY               |       |      |
| DRAWN BY           | DATE     | CHK                                       | SCALE | SIZE |
| PJST               | 05/08/12 |   | N/A   | A    |
| SHT 2 OF 4         |          |   |       |      |

| 04A | 03/06/13 | PJST |     |     | RELEASED TO PRODUCTION | 11V233AY |
|-----|----------|------|-----|-----|------------------------|----------|
| REV | DATE     | BY   | CHK | APR | DESCRIPTION            | ECN      |

D10100DA/15

2

1

THIS COPY IS PROVIDED ON A RESTRICTED BASIS AND IS NOT TO BE USED IN ANY WAY DETRIMENTAL TO THE INTERESTS OF PANDUIT CORP.

### 45 RU NET-ACCESS SWITCH CABINET

FRONT EQUIPMENT RAILS NEED TO BE POSITIONED IN THE FULL FORWARD POSITION.

45 RU NET-ACCESS SWITCH CABINET (CN\*\*\*)

SPACING FOR BOTTOM OF CABINET

SPACING FOR TOP OF CABINET

3 RU INLET DUCTING

7009 CRADLE (REFERENCE)

3 RU INLET DUCTING

7009 CRADLE (REFERENCE)

CISCO 7009 SWITCH (REFERENCE, PORT SIDE OF SWITCH FACES COLD AISLE)

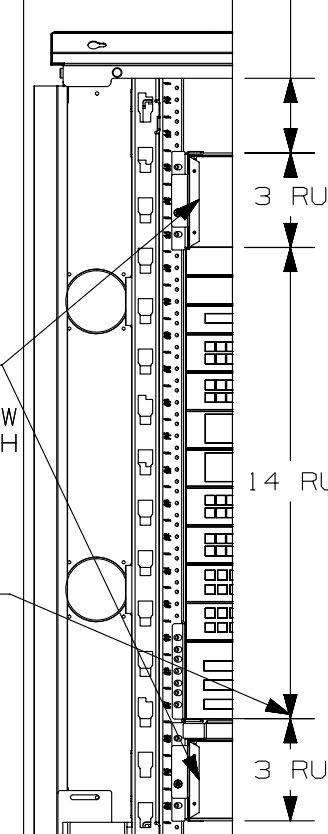
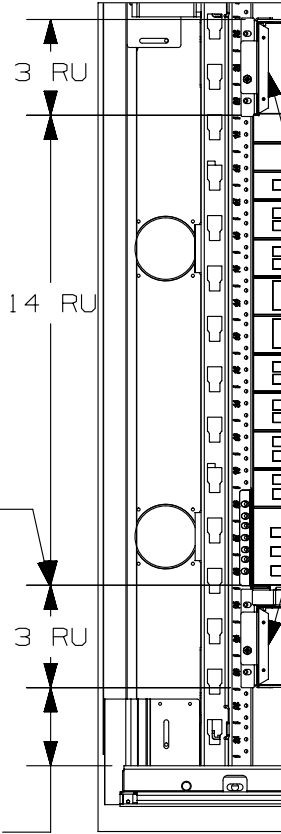
FRONT OF CABINET (FACES COLD AISLE)

SIDE DUCT

FRONT TO BACK EQUIPMENT RAIL DEPTH MUST BE 25" - 26"

SWITCH MUST BE 5 RU FROM BOTTOM.

VERTICAL BLANKING PANEL



3 RU'S MUST BE RESERVED ABOVE AND BELOW THE 7009 SWITCH FOR THE 7009 DUCT TO BE INSTALLED.

SWITCH MUST BE 19 RU FROM TOP.

1. VERTICAL BLANKING PANELS MUST BE USED WITH THIS PRODUCT TO PREVENT EXHAUST RECIRCULATION.

|                    |          |  |       |      |
|--------------------|----------|--|-------|------|
| TITLE              |          | INLET DUCT FOR CISCO 7009 (CNLTD142A3) |       |      |
|                    |          | CUSTOMER DRAWING                       |       |      |
| ITEM REVISION NAME |          | 11V233AY/04                            |       |      |
| DATASET FILE NAME  |          | 11V233AY_DC/04A                        |       |      |
| MATERIAL:          |          | N/A                                    |       |      |
| DRAWING NUMBER:    |          | 11V233AY                               |       |      |
| DRAWN BY           | DATE     | CHK                                    | SCALE | SIZE |
| PJST               | 05/08/12 |  | N/A   | A    |
| SHT 3 OF 4         |          |  |       |      |

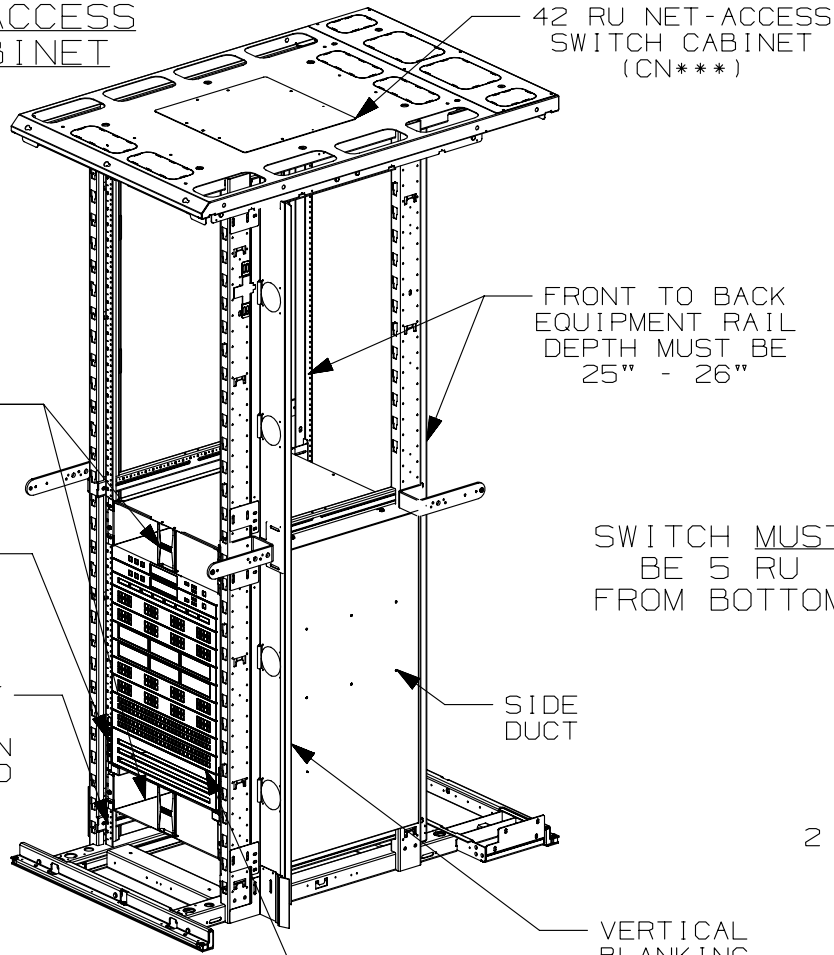
| 04A | 03/06/13 | PJST |     | RELEASED TO PRODUCTION | 11V233AY    |     |
|-----|----------|------|-----|------------------------|-------------|-----|
| REV | DATE     | BY   | CHK | APR                    | DESCRIPTION | ECN |

2

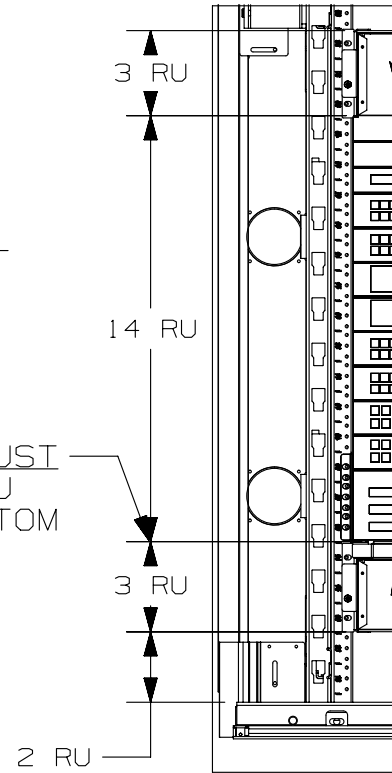
1

D10100DA/15

42 RU NET-ACCESS SWITCH CABINET



SPACING FOR BOTTOM OF CABINET



3 RU INLET DUCTING

7009 CRADLE (REFERENCE)

FRONT EQUIPMENT RAILS NEED TO BE POSITIONED IN THE FULL FORWARD POSITION.

FRONT TO BACK EQUIPMENT RAIL DEPTH MUST BE 25" - 26"

SWITCH MUST BE 5 RU FROM BOTTOM

SIDE DUCT

3 RU'S MUST BE RESERVED ABOVE AND BELOW THE 7009 SWITCH FOR THE 7009 DUCT TO BE INSTALLED.

*FRONT OF CABINET (FACES COLD AISLE)*

CISCO 7009 SWITCH (REFERENCE, PORT SIDE OF SWITCH FACES COLD AISLE)

VERTICAL BLANKING PANEL

1. VERTICAL BLANKING PANELS MUST BE USED WITH THIS PRODUCT TO PREVENT EXHAUST RECIRCULATION.

|                    |          |  |       |      |
|--------------------|----------|--|-------|------|
| TITLE              |          | INLET DUCT FOR CISCO 7009 (CNLTD142A3) |       |      |
|                    |          | CUSTOMER DRAWING                       |       |      |
| ITEM REVISION NAME |          | 11V233AY/04                            |       |      |
| DATASET FILE NAME  |          | 11V233AY_DC/04A                        |       |      |
|                    |          | MATERIAL:<br>N/A                       |       |      |
|                    |          | DRAWING NUMBER:<br>11V233AY            |       |      |
| DRAWN BY           | DATE     | CHK                                    | SCALE | SIZE |
| PJST               | 05/08/12 |  | N/A   | A    |
| SHT 4 OF 4         |          |  |       |      |

| 04A | 03/06/13 | PJST |     | RELEASED TO PRODUCTION | 11V233AY    |
|-----|----------|------|-----|------------------------|-------------|
| REV | DATE     | BY   | CHK | APR                    | DESCRIPTION |

D10100DA/15