

Part number

TM 2344 T2



Box, TM series, for 2 TM interlocked socket outlets without base box

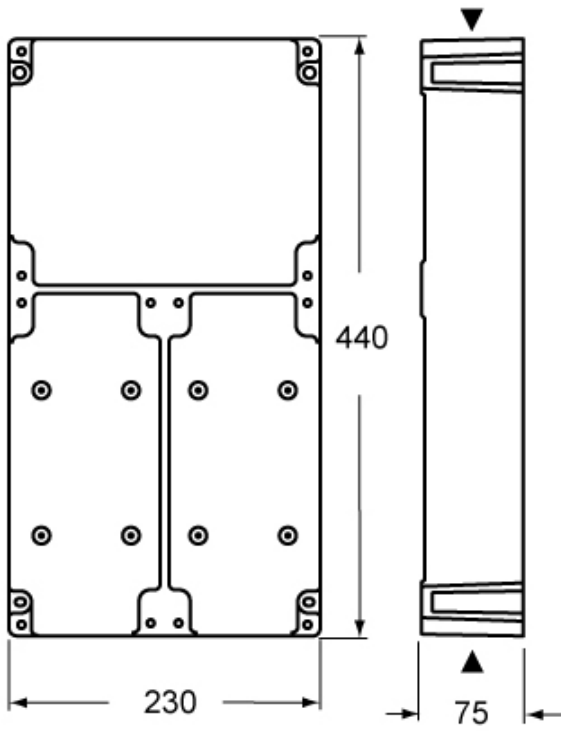
Product description		Material properties	
Product type	Box	Colour	RAL 7012 grey
Series	TM		Compliant with exemption 6(c): copper alloy containing up to 4% lead by weight
Size	114 x 255 mm fixing distance, for assembly in single or multiple boxes	RoHs conformity	50
Specification	For 2 TM interlocked socket outlets without base box	China RoHs - EFUP	Yes
Technical data		REACH SVHC substances	Lead
IP degree of protection	IP66 / IP67	SCIP number	B0214dad-d2d9-4e91-a5b4-f4c9b4612083
Further technical details		General ordering information	
Weight	1.260,00 g	EAN13 code	8015747090681
Operating temperature range (min, max)	-25°C ... +40°C	Packaging Information	
IK rating (impact degree of protection)	IK10	Packaging weight	5,04 kg
		Packaging volume	38,87 dm ³
		Packaging description	Carton box
		Packaging quantity	4 Pcs
		Packaging EAN code	8015747090698
		Sub-packaging weight	1,26 kg
		Sub-packaging description	Plastic packaging
		Sub-packaging quantity	1 Pcs
		Sub-packaging EAN barcode	8015747090704

Part number

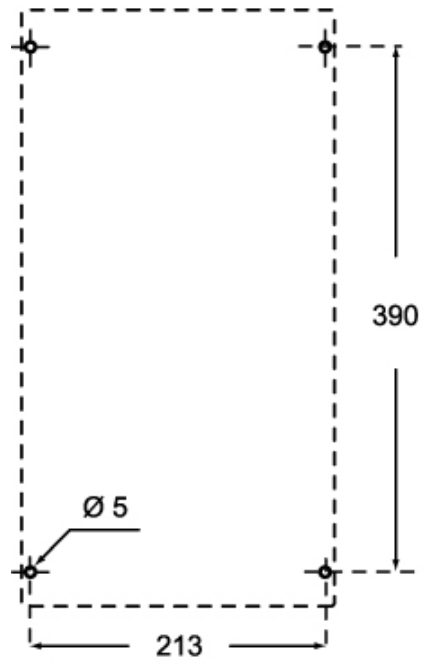
TM 2344 T2



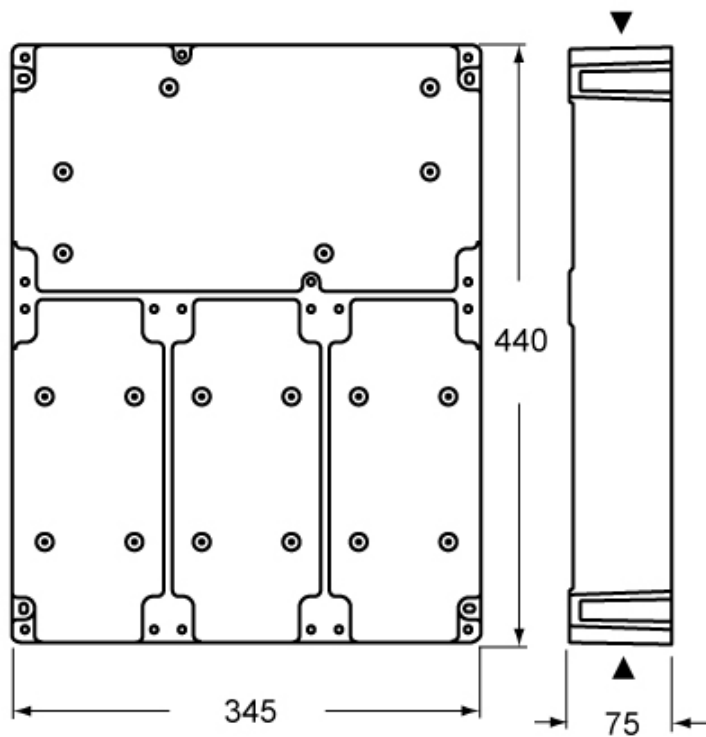
TM 2344 T2



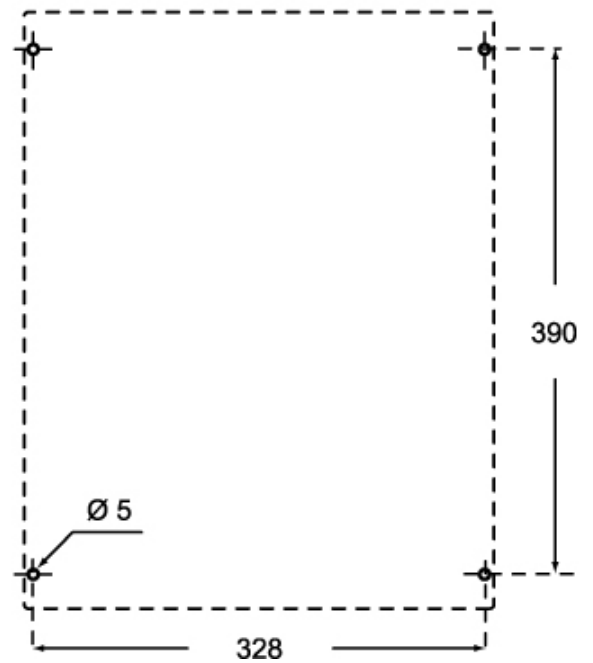
TM 2344 T2



TM 3444 T3



TM 3444 T3



Notes

Dimensions shown in mm are not binding and may be changed without notice.
