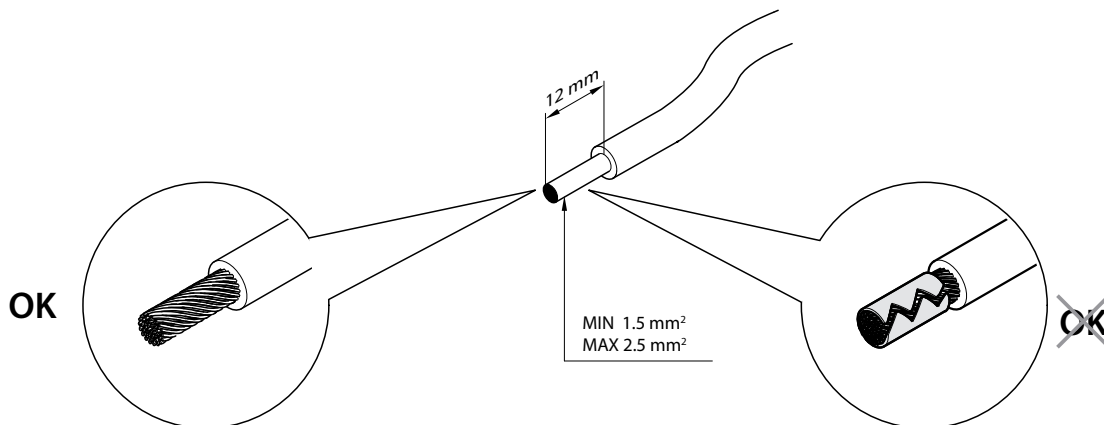
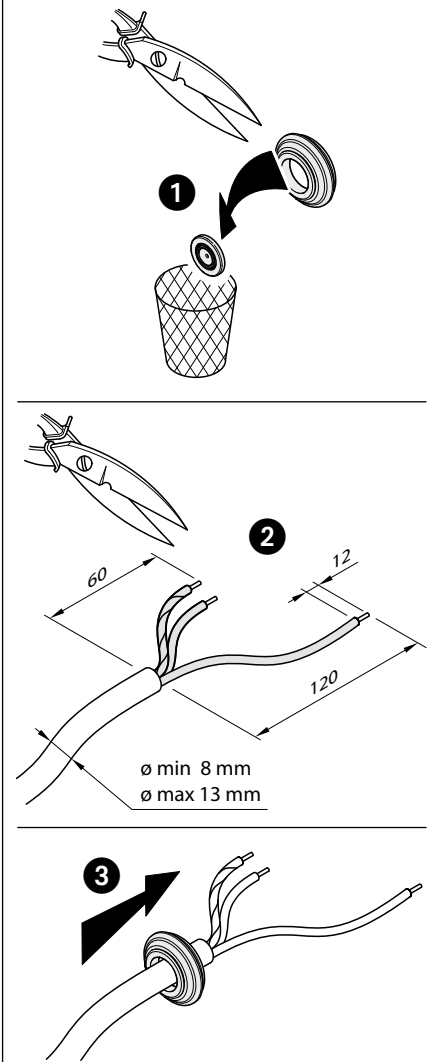
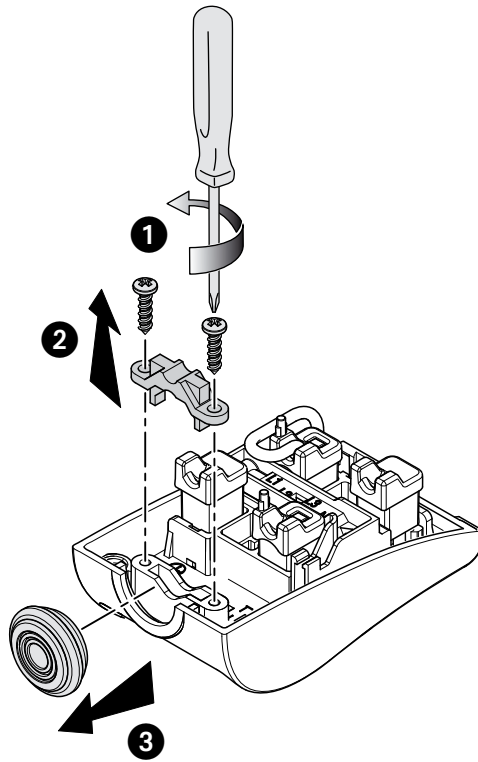
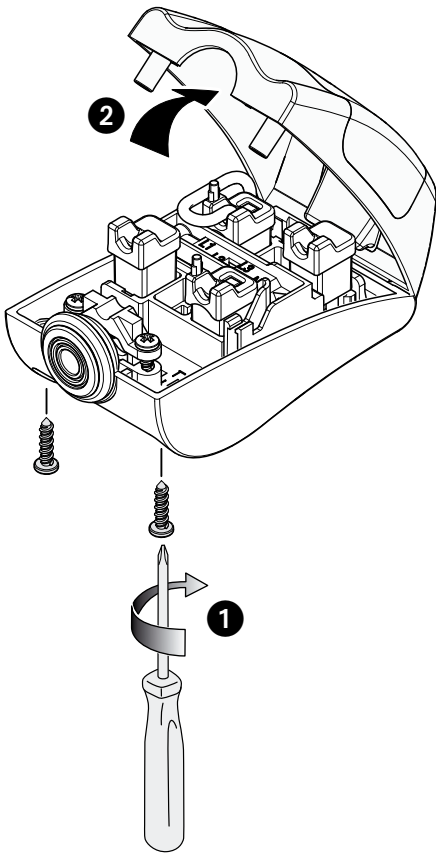
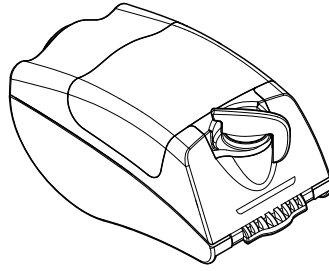
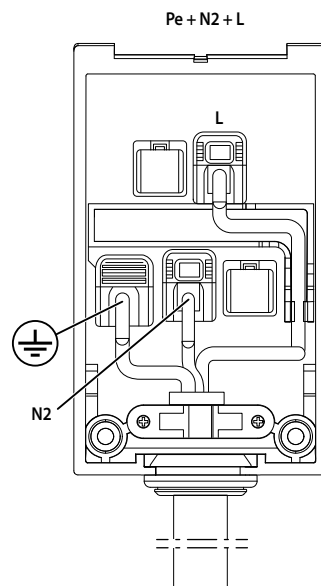
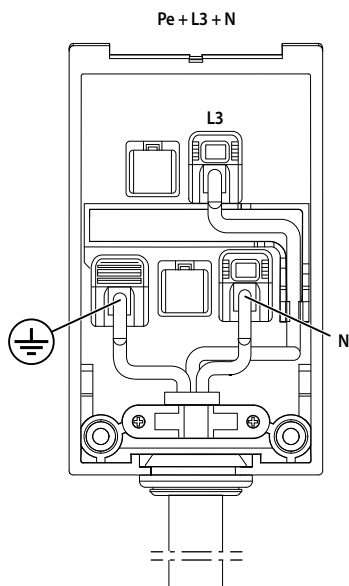
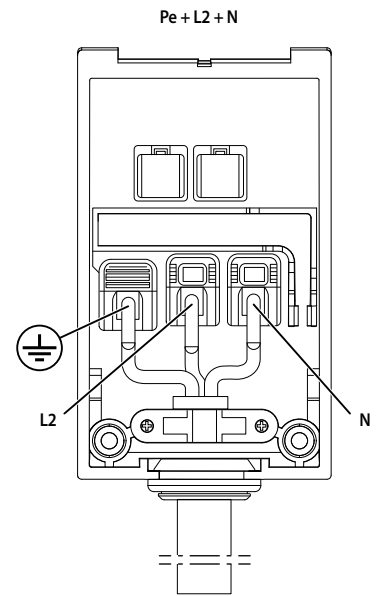
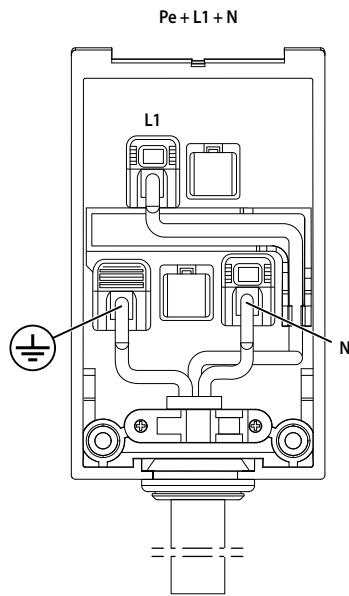
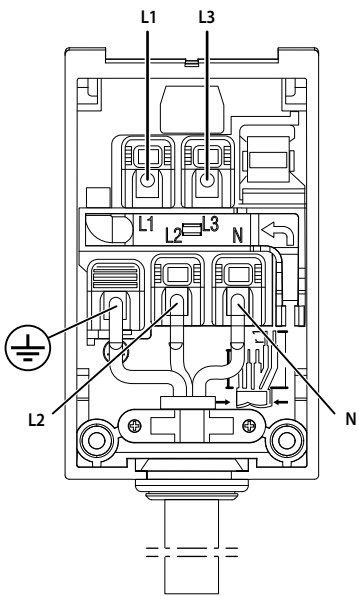
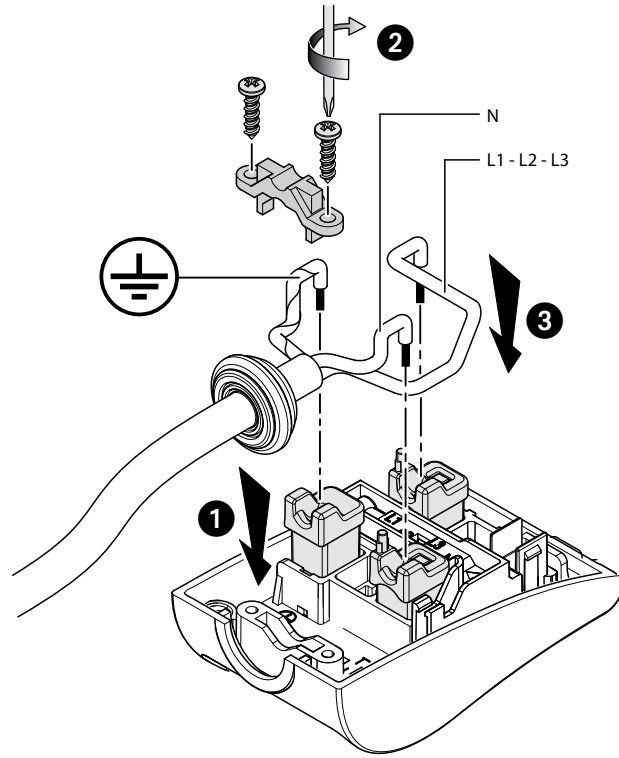


75005000
75005005
75005100
75005200
75005220
75005270
75005060
75005065
75005070

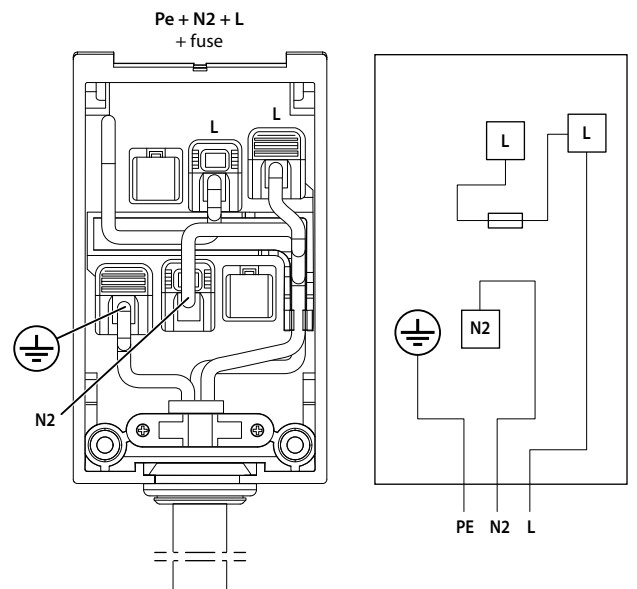
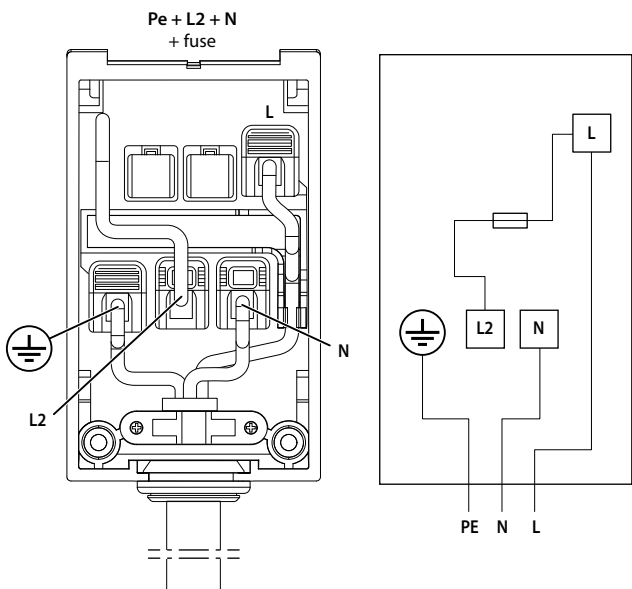
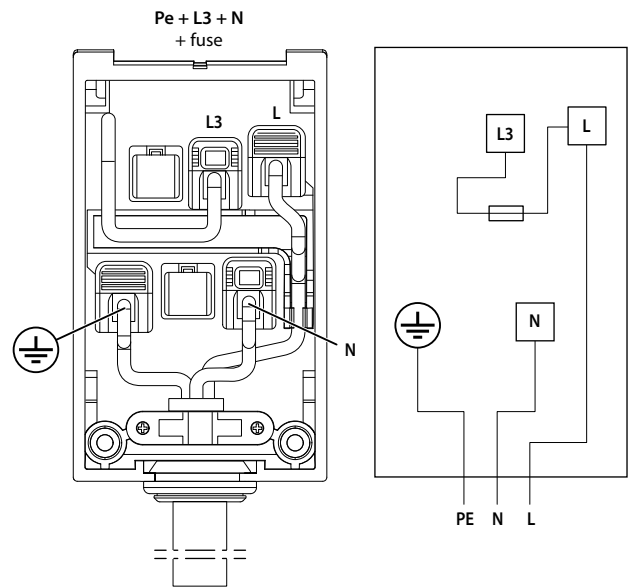
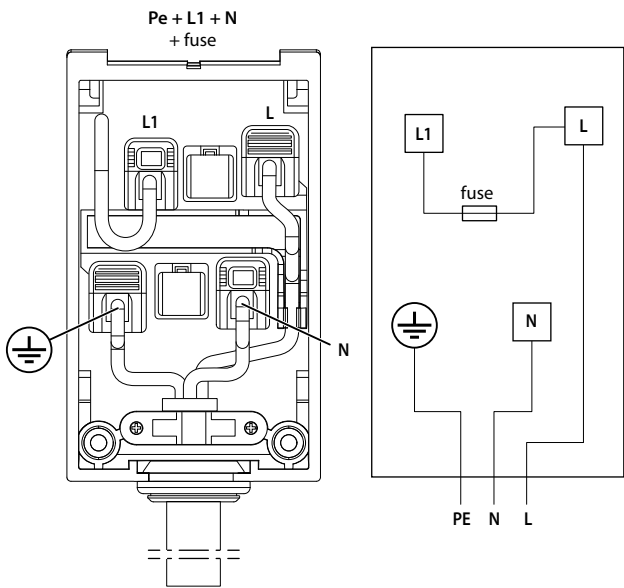
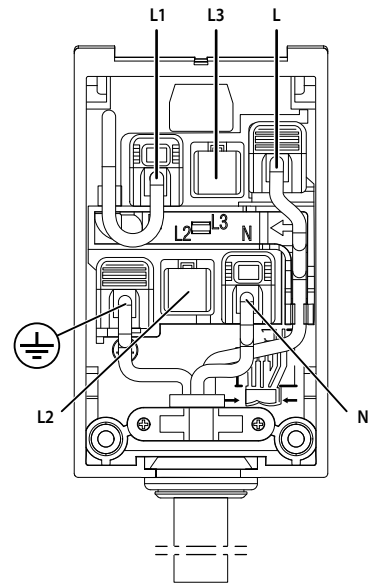
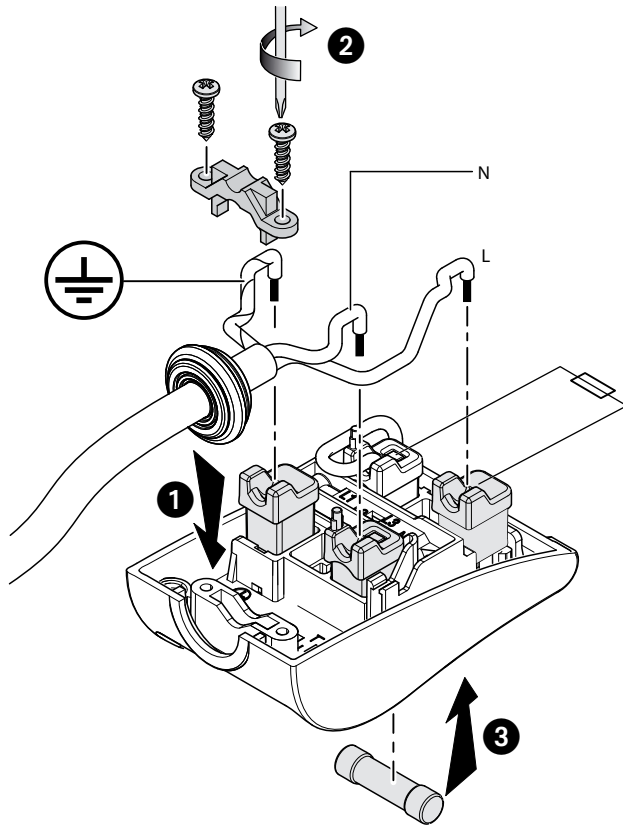
16 A

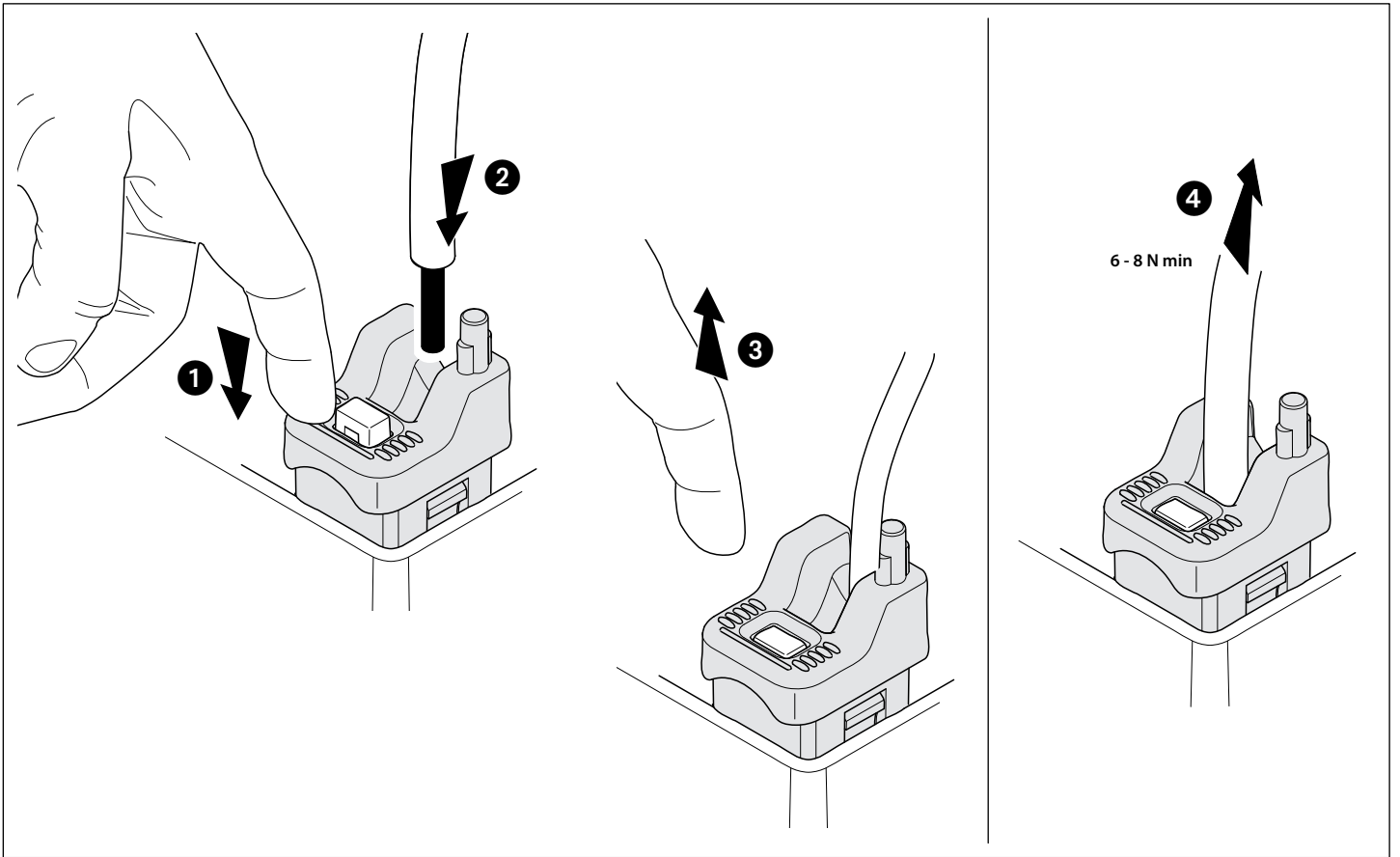




75005100
 75005200
 75005220
 75005270

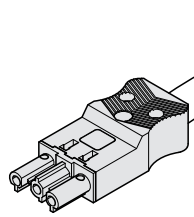
(B)



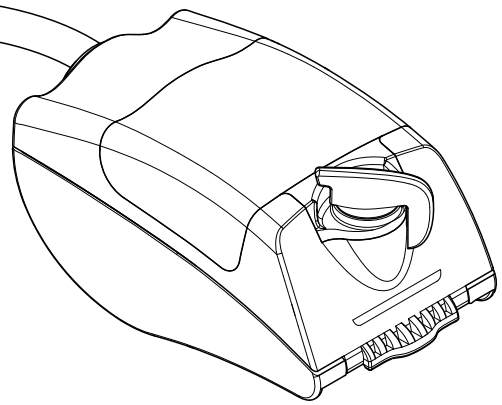
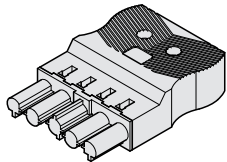


75005060
75005065
75005070

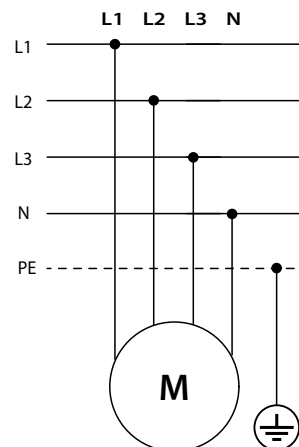
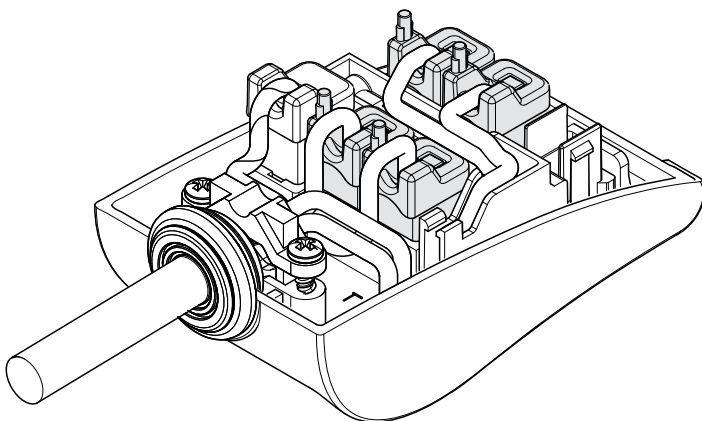
RR P+N+T



RR 3P+N+T



75005005



L1 - L2 - L3 - N

