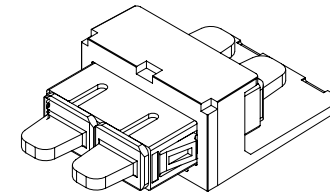
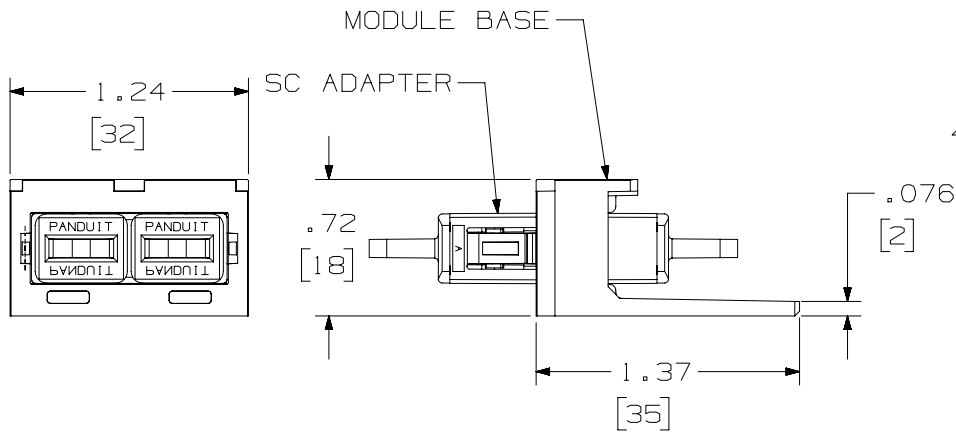
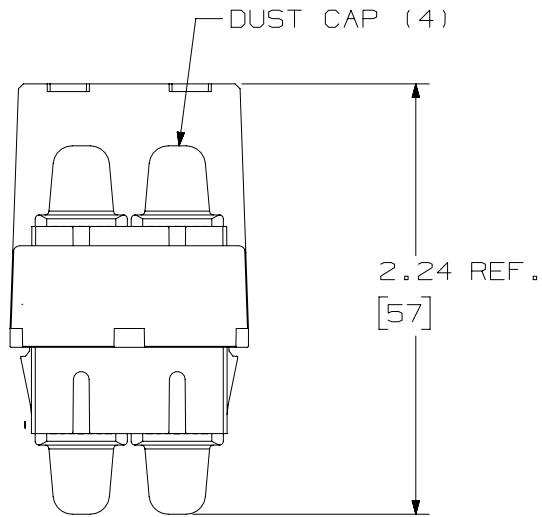


THIS COPY IS PROVIDED ON A RESTRICTED BASIS AND IS NOT TO BE USED IN ANY WAY DETRIMENTAL TO THE INTERESTS OF PANDUIT CORP.



PANDUIT P/N	WEIGHT	SPLIT SLEEVE TYPE
CMDAGSCZ**	2.2 lbs/100 pcs (980.0 g/100 pcs)	ZIRCONIA
CMDAQSCZ**		
CMDEISCZ**		
CMDBLSCZ**		
CMDBUSCZ**		
CMDCLSCZ**		

NOTES:

- SEE CURRENT CATALOG FOR PART NUMBER SUFFIXES TO INDICATE COLOR OF MODULE BASE, AND/OR PACKAGE QUANTITIES.
- SEE CATALOG FOR COMPLETE LIST OF PARTS APPLICABLE FOR USE WITH THIS PART.
- MATERIALS:
 - MODULE BASE: PLASTIC
 - ADAPTER HOUSING: PLASTIC
 - SPLIT SLEEVE: ZIRCONIA
 - INNER LATCH: POLYETHERIMIDE
 - DUST CAP: ELASTOMER
- DIMENSIONS IN [] ARE IN METRIC.

PART NUMBER		CMD**SCZ**	
TITLE			
MINI-COM DUAL MODULE SPACE DUPLEX SC MODULE			
CUSTOMER DRAWING			
ITEM REVISION NAME		M0115BG/01	
DATASET FILE NAME		M0115BG_DC/01E	
UNLESS OTHERWISE SPECIFIED, DIMENSIONAL TOLERANCES ARE: IN [mm]		MATERIAL:	
.X ±		.XXX ±	
.XX ±		ANGLES ±	
DRAWING NUMBER:		SEE NOTES	
DRAWING NUMBER:		01115-09	
THIRD ANGLE PROJECTION	DRAWING NUMBER:		
THIRD ANGLE PROJECTION	01115-09		
DRAWN BY	DATE	CHK	SCALE
MC	06-20-01	PJI	NONE
REV	DATE	BY	CHK
01E	04-05-19	SAT	JSP
APR	AW	B. REMOVED PHOS BRONZE. C. ADDED P/N CMDLSCZ**.	
DESCRIPTION	ECN	SHT 1 OF 1	
DESCRIPTION		A	

D10100DA/14