



Product designation

Adjustable rod  
lever

Product type designation

KML

**General characteristics**

Material

Housing  
Rod

Aluminium-zinc  
alloy  
Steel

**Contact characteristics**

|   |            |                          |
|---|------------|--------------------------|
| Type of contact   |            | 2NC Slow action          |
| Thermal current I <sub>th</sub>                           | A          | 10                       |
| IEC/EN 60947-5-1 designation                              |            | A300 Q300                |
| Rated insulation voltage U <sub>i</sub>                   | V          | 440                      |
| Rated impulse withstand voltage U <sub>imp</sub>          | kV         | 4                        |
| Short-circuit protection with fuse                        | Class/A    | 10 gG/SC<br>QUICK FUSE   |
| Switching speed   | min<br>max | m/s<br>m/s<br>0.5<br>1.5 |
| IEC Conventional free air thermal current I <sub>th</sub> | A          | 10                       |
| Resistance per pole (average value)                       | mΩ         | <10                      |

**Mechanical features**

|                         |             |   |
|-------------------------|-------------|---|
| Operating head fixing   |             | Locking bayonet<br>insert                           |
| Operating torque        | Ncm<br>ozin | 3<br>4.25   |
| Tightening torque (Max) |             |   |
| Switch fixing           | Nm<br>lbin  | 2.5<br>22.1   |
| Contact terminals       | Nm<br>lbin  | 0.8<br>7  |
| Body lid screw fixing   | Nm<br>lbin  | 0.8<br>7  |
| Conductor section       |             |   |
| AWG/Kcmil               | min<br>max  | 16<br>14  |
| IEC                     | min<br>max  | mm <sup>2</sup><br>mm <sup>2</sup><br>1 or 2<br>2.5 |
| Cable connection        |             | Self-releasing<br>screw terminal                    |

|             |                   |
|-------------|-------------------|
| Cable entry | M20 on the bottom |
|-------------|-------------------|

**Operations**

|                      |          |           |
|----------------------|----------|-----------|
| Mechanical life      | cycles   | <10000000 |
| Mechanical operation | cycles/h | 3600      |

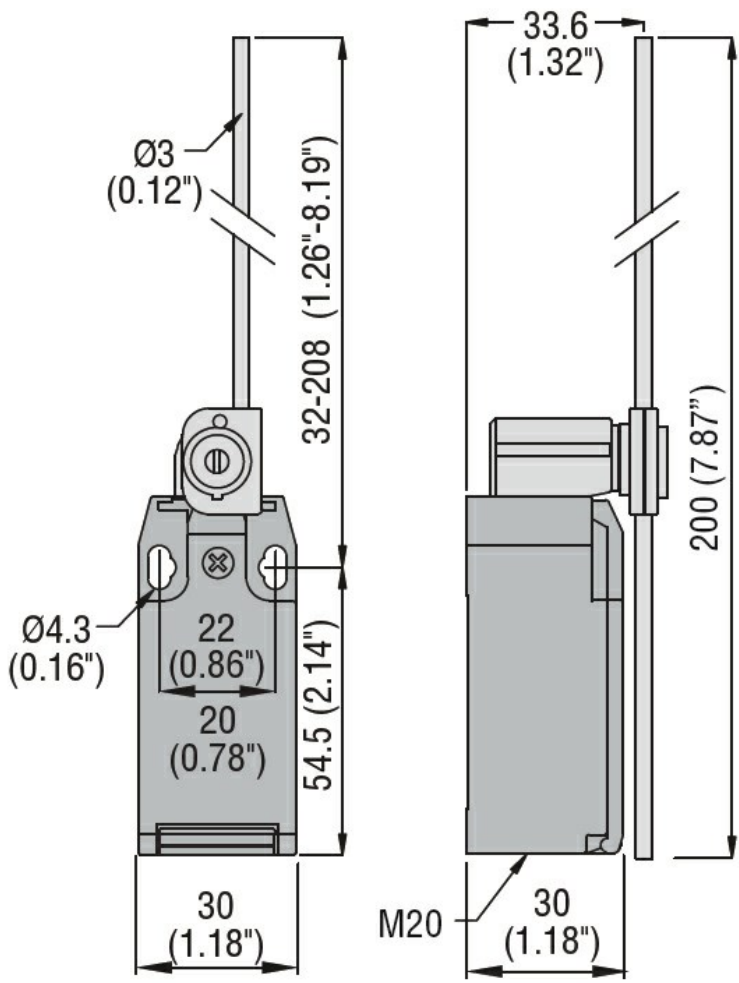
**Ambient conditions**

|             |                       |     |    |     |
|-------------|-----------------------|-----|----|-----|
| Temperature | Operating temperature | min | °C | -25 |
|             |                       | max | °C | +70 |
|             | Storage temperature   | min | °C | -40 |
|             |                       | max | °C | +70 |

**Resistance & Protection**

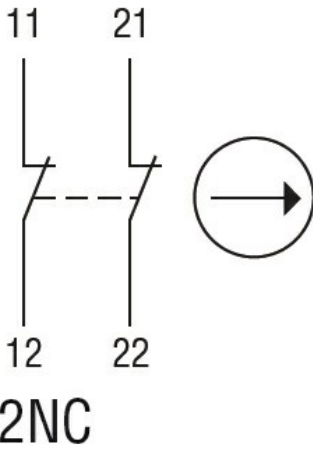
|                  |              |      |
|------------------|--------------|------|
| IP degree        | Terminals    | IP20 |
|                  | Body housing | IP65 |
| Pollution degree |              | 3    |

**Dimensions**



**Wiring diagrams**

## Slow action



### Certifications and compliance

#### Compliance

CSA C22.2 n° 14  
EN 50047  
IEC/EN 60204-1  
IEC/EN 60947-1  
IEC/EN 60947-5-1  
UL508

#### Certificates

CCC  
cULus  
EAC

### ETIM classification

ETIM 8.0

EC000030 - End  
switch