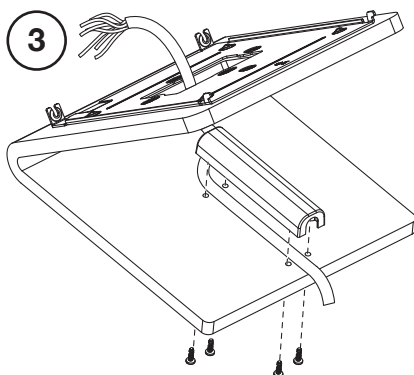
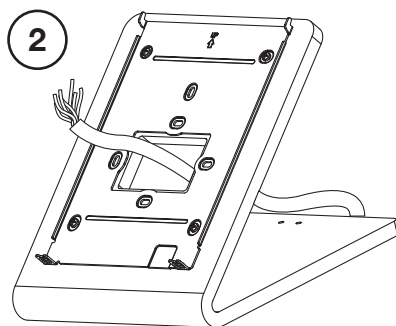
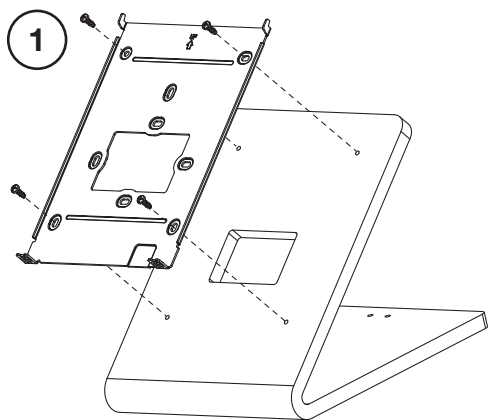
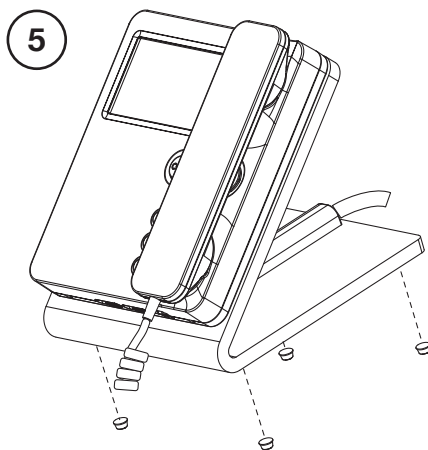
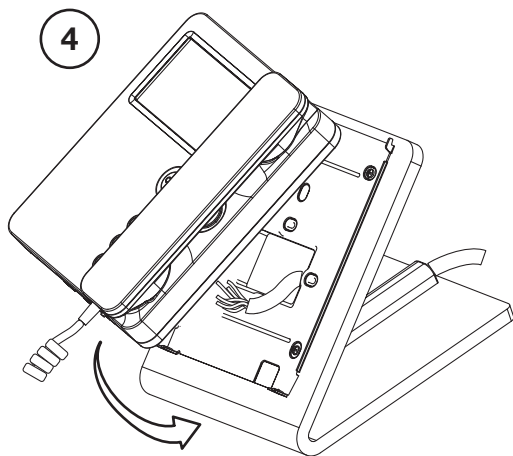


SUPPORTO DA TAVOLO PER VIDEOCITOFONO Mod. 1750
TABLE TOP STAND FOR 1750 VIDEO DOOR PHONE TABLE
SUPPORT DE TABLE POUR VIDEOPHONE Mod.1750
APOYO DE SOBREMESA PARA VIDEOINTERFONO Mod. 1750
TISCHAUFLAGE FÜR VIDEOANLAGE Mod.1750

Sch./Ref. 1750/92





DS 1750-005A

URMET S.p.A.
10154 TORINO (ITALY)
VIA BOLOGNA 188/C
Telef. +39 011.24.00.000 (RIC. AUT.)
Fax +39 011.24.00.300 - 323

urmet

LBT 8977

Area tecnica
servizio clienti +39 011.23.39.810
<http://www.urmet.com>
e-mail: info@urmet.com