

FlexCore™ ODF High Density Tethered Fiber Optic Enclosure

technical information

FlexCore Tethered Fiber Optic Enclosures are components of the FlexCore Fiber Optic Distribution Frame system. FlexCore Tethered Fiber Optic Enclosures are used in high density network applications for quickly establishing fiber distribution “Point Of Presence” (POP) in entrance rooms in combination with FlexCore Optical Distribution Frame.

FlexCore Tethered Fiber Optic Enclosures are pre-terminated to ensure quick deployment, and the highest reliability for the lowest installed cost. Enclosures are supplied with a custom length tethered tail/whip of Rollable Ribbon Indoor/Outdoor cable that has a Multi-rated Riser, Low Smoke Zero Halogen and Euroclass Cca Jacket.



applications

FlexCore Tethered Fiber Optic Enclosures are used in high-density entrance/meet-me room applications as specified in the Data Center Cabling Standard TIA 942 for quickly establishing POP cross connects on Optical Distribution Frames (ODF).

construction

Material:	Enclosure: 4 RU Metal Cable Jacket: Multi Rated I/O Riser, LSZH, Euroclass Cca
Fiber type:	Singlemode: OS1/OS2 9/125µm
Split sleeve material:	Zirconia ceramic
Fiber count:	288 Fibers
Front connectivity:	LC or LC/APC Duplex adapters
Insertion loss (per fiber):	LC 0.6dB max. (plus fiber attenuation) LC/APC 0.5dB max. (plus fiber attenuation) Attenuation of 0.4dB/km (@1310nm) × whip length)
Polarity:	Polarity straight through, when spliced color to color
Return loss:	55dB (Singlemode) (all Fibers)

standards

Meets or exceeds ISO/IEC 11801, TIA/EIA-568-D.3, TIA-604-10 (FOCIS-10), RoHS Complaint. APC LC FOCIS-10 connectors exceed TIA/EIA-455-21A: 500 mating cycles (singlemode).

key features & benefits

Optimized performance enhancement:	Unique, industry-leading optical termination processes; optimized connector-to-connector mating resulting in 0.5dB max. insertion loss LC/APC 0.6dB max. insertion loss LC
High-density design:	Maximizes density with up to 288 fiber connections in 4 RU for efficient utilization of rack space; design features provides lower total cost of ownership; reduces or eliminates the need for additional infrastructure support
Verified optical performance:	100% tested; provides consistent high performance and reliability for improved network integrity
Pre-terminated tethered cassette system:	Provides improved reliability and quick deployment to reduce installation time and cost
Adapter housing colors follow TIA/EIA-568-C.3 suggested color identification scheme:	LC/APC = APC Green LC = Blue
Consistent port labeling for cross connect applications:	Product configurations mapped specifically for use with other fiber distribution products; customer can design the fiber cable distribution port labels consistent with specific application conventions
FlexCore product identification:	Data label on each product includes port identification and Q.C. number for quick identification and 100% traceability

FlexCore ODF High Density Tethered Fiber Optic Enclosure

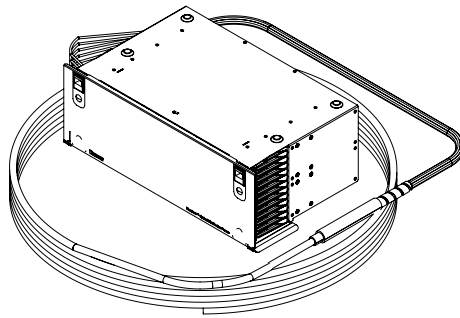
ordering information

FlexCore ODF Enclosure - Singlemode OS2						
Part Number	Cable Entry	Front Connector	Fiber Type	Insertion Loss (Max)	Return Loss	Fiber Per Tray
F8BNMMLBNSAFXXX*	Left	LC/APC Duplex	OS2 9/125µm Singlemode	0.5db*	≥55dB	24
F8BNMMRBNSAFXXX*	Right					
F8BNM9LBNSAFXXX*	Left	LC Duplex	OS2 9/125µm Singlemode	0.6db*	≥55dB	24
F8BNM9RBNSAFXXX*	Right					

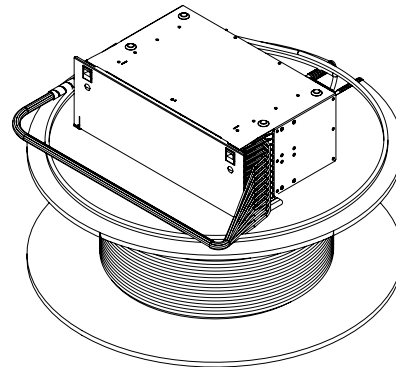
*- 'xxx' in part number refers to orderable length in feet. Min length 15 ft. - Max length 225 ft. Lengths longer than 100 ft. will be shipped on a reel.

**- Insertion loss includes mated pair loss of front panel connectivity and internal cassette fiber. Total loss of cassette is a function of tail/whip length. For link budgeting purposes, add the attenuation of the fiber tail/whip on the basis of 0.4dB/km.

ODF high density fiber optic enclosure part detail



Left Tethered Option
(Less than 100 ft.)



Right Tethered Option
(Greater than 100 ft.)

WORLDWIDE SUBSIDIARIES AND SALES OFFICES

PANDUIT US/CANADA
Phone: 800.777.3300

PANDUIT EUROPE LTD.
London, UK
Phone: 44.20.8601.7200

PANDUIT SINGAPORE PTE. LTD.
Republic of Singapore
Phone: 65.6305.7575

PANDUIT JAPAN
Tokyo, Japan
Phone: 81.3.6863.6000

PANDUIT LATIN AMERICA
Guadalajara, Mexico
Phone: 52.33.3777.6000

PANDUIT AUSTRALIA PTY. LTD.
Victoria, Australia
Phone: 61.3.9794.9020

For a copy of Panduit product warranties, log on to www.panduit.com/warranty

For more information

Visit us at www.panduit.com
Contact Customer Service by email: cs@panduit.com
or by phone: 800.777.3300

PANDUIT[®]

© 2023 Panduit Corp.
ALL RIGHTS RESERVED.
RKSP208-WW-ENG
5/2023