

1SNA199095R1300 ✓ ACTIVE

ENTRELEC | ENTRELEC SNA

TE Internal #: 1SNA199095R1300

Modular Terminal Blocks, Fuse, Screw Clamp Terminal Block, Black,  
Product Spacing .511 in [13 mm], 2 Position, Screw Terminal, Signal,  
ENTRELEC SNA

[View on TE.com >](#)



Connectors > Terminal Blocks & Strips > Modular Terminal Blocks



Block Function: **Fuse**

Modular Terminal Block Product Type: **Screw Clamp Terminal Block**

Rated Cross Section: **10 mm<sup>2</sup>**

Primary Product Color: **Black**

## Features

### Product Type Features

Modular Terminal Block Product Type	Screw Clamp Terminal Block
-------------------------------------	----------------------------

### Configuration Features

Gauge Type	A6
Number of Levels	1
Number of Poles	2
Number of Circuits	1
Block Function	Fuse
Number of Positions	2

### Electrical Characteristics

Operating Voltage Rating (UL & CSA) (Max) - Main Circuit	600 V
Impulse Withstanding Voltage Rating (IEC)	8000 V
Voltage Rating (CSA)	600 V
Current Rating (CSA)	25 A
Voltage Rating (IEC)	800 V
Current Rating (UL)	25 A

Current Rating (IEC)	16 A
Voltage Rating	800 VAC

### Body Features

Product Weight	51 g
Primary Product Color	Black

### Termination Features

Termination Method to Wire & Cable	Screw Terminal
------------------------------------	----------------

### Mechanical Attachment

DIN Rail Mounting Type	G32, TH35-15, TH35-7.5
Tightening Torque	10.6 in-lbs
Terminal Block Disconnect Type	Lever
Connector Mounting Type	DIN Rail

### Housing Features

Housing Material	Polyamide 6.6
------------------	---------------

### Dimensions

Main Circuit Capacity - 1 Rigid Stranded Conductor per Screw Clamp	.5 – 16 mm <sup>2</sup>
Wire Stripping Length	12 mm[.472 in]
Main Circuit Capacity - 1 Flexible Conductor per Spring Clamp	.5 – 10 mm <sup>2</sup>
Tool Size	5.5 mm[.217 in]
Product Depth	58 mm
Product Width	13 mm[.511 in]
Product Length	58 mm
Product Height	85 mm
Rated Cross Section	10 mm <sup>2</sup>
Product Spacing	13 mm[.511 in]
Wire Size	10 mm <sup>2</sup>

### Usage Conditions

Storage Temperature Range	-55 – 110 °C[-67 – 230 °F]
Installation Temperature Range	-5 – 40 °C[23 – 104 °F]
Operating Temperature Range	-55 – 110 °C[-67 – 230 °F]

### Operation/Application



Circuit Application	Signal
---------------------	--------

**Industry Standards**

UL Flammability Rating	UL 94V-0
------------------------	----------

**Product Compliance**

[For compliance documentation, visit the product page on TE.com>](#)

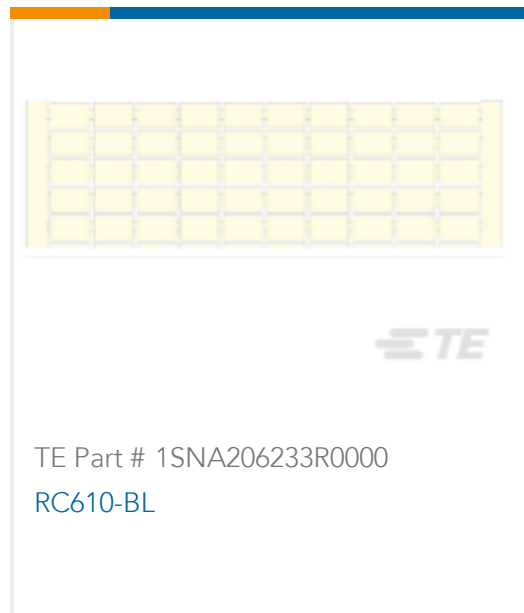
EU RoHS Directive 2011/65/EU	Compliant
EU ELV Directive 2000/53/EC	Compliant
China RoHS 2 Directive MIIT Order No 32, 2016	No Restricted Materials Above Threshold
EU REACH Regulation (EC) No. 1907/2006	Current ECHA Candidate List: JUNE 2022 (224) Candidate List Declared Against: JUNE 2022 (224) Does not contain REACH SVHC
Halogen Content	Low Halogen - Br, Cl, F, I < 900 ppm per homogenous material. Also BFR/CFR/PVC Free
Solder Process Capability	Not reviewed for solder process capability

**Product Compliance Disclaimer**

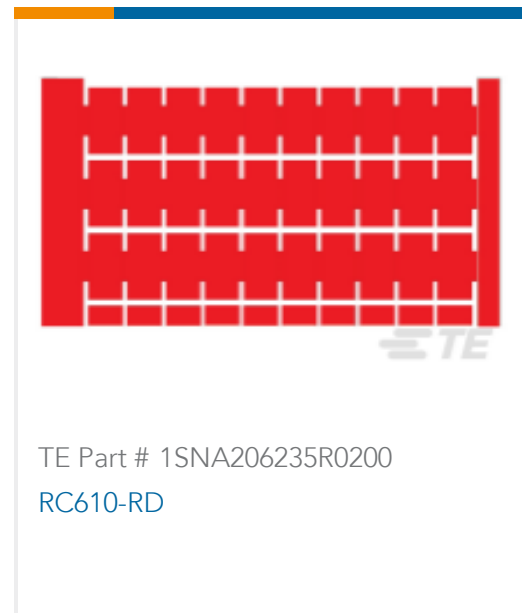
This information is provided based on reasonable inquiry of our suppliers and represents our current actual knowledge based on the information they provided. This information is subject to change. The part numbers that TE has identified as EU RoHS compliant have a maximum concentration of 0.1% by weight in homogenous materials for lead, hexavalent chromium, mercury, PBB, PBDE, DBP, BBP, DEHP, DIBP, and 0.01% for cadmium, or qualify for an exemption to these limits as defined in the Annexes of Directive 2011/65/EU (RoHS2). Finished electrical and electronic equipment products will be CE marked as required by Directive 2011/65/EU. Components may not be CE marked. Additionally, the part numbers that TE has identified as EU ELV compliant have a maximum concentration of 0.1% by weight in homogenous materials for lead, hexavalent chromium, and mercury, and 0.01% for cadmium, or qualify for an exemption to these limits as defined in the Annexes of Directive 2000/53/EC (ELV). Regarding the REACH Regulation, the information TE provides on SVHC in articles for this part number is based on the latest European Chemicals Agency (ECHA) 'Guidance on requirements for substances in articles' posted at this URL: <https://echa.europa.eu/guidance-documents/guidance-on-reach>

**Compatible Parts**

 <p>TE Part # 1SNA175991R1100 BJS131-10</p>	 <p>TE Part # 1SNA206230R1100 RC610-GN</p>	 <p>TE Part # 1SNA206231R0600 RC610-YL</p>	 <p>TE Part # 1SNA206232R0700 RC610-OR</p>
--	--	---	---

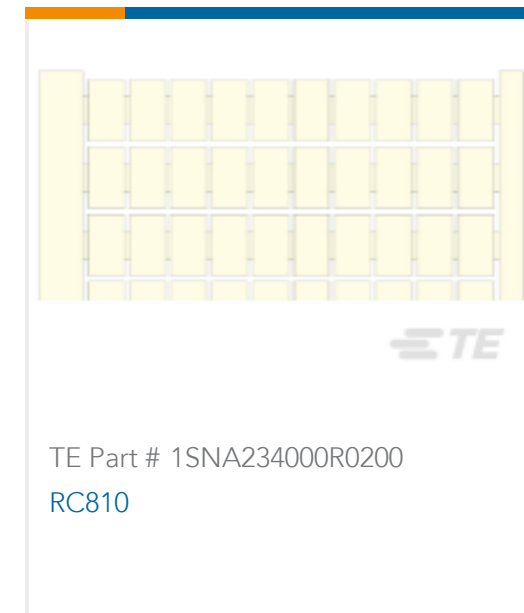
TE Part # 1SNA206233R0000  
RC610-BL




TE Part # 1SNA206235R0200  
RC610-RD




TE Part # 1SNA233000R0100  
RC610



TE Part # 1SNA234000R0200  
RC810



TE Part # 1SNA238000R1600  
RC1010




TE Part # 1SNA007865R2600  
FC2



TE Part # 1SNA163043R2100  
AL2



TE Part # 1SNA163261R0000  
AL3



TE Part # 1SNA167860R0100  
FC4




TE Part # 1SNA168556R0500  
FU633




TE Part # 1SNA168558R1700  
FU633




TE Part # 1SNA168560R1500  
FU633




TE Part # 1SNA168564R0500  
TGA13



TE Part # 1SNA168565R0600  
TGA13



TE Part # 1SNA168566R0700  
TGA13



TE Part # 1SNA168675R1400  
ANT

Also in the Series | **ENTRELEC SNA**



Modular Terminal Blocks(182)



Terminal Block & Strip Conducting  
Accessories(26)

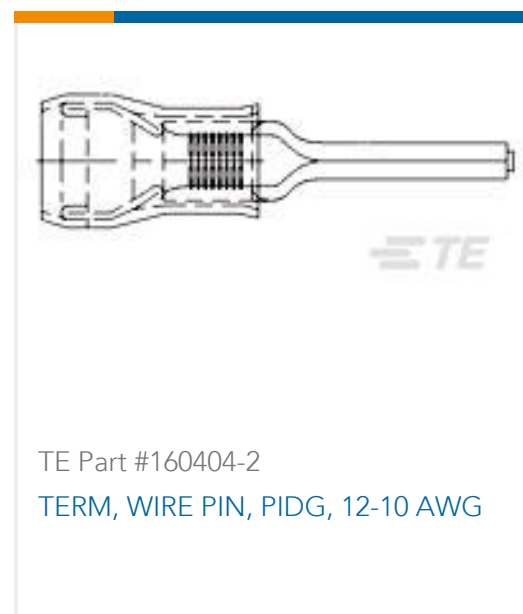


Terminal Block & Strip Insulating  
Accessories(14)

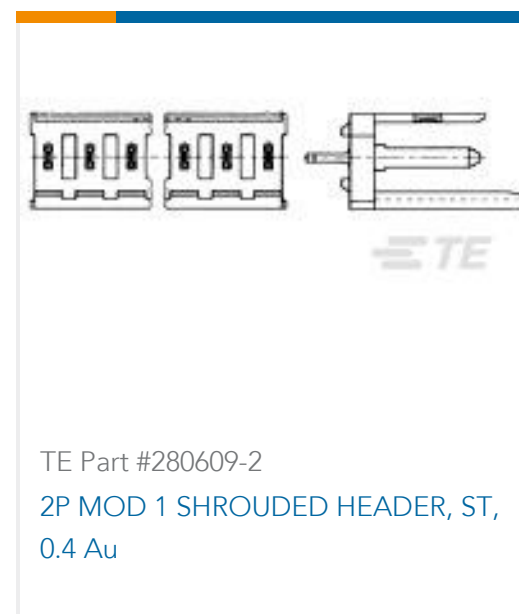
Customers Also Bought



TE Part #5-1623732-4  
BCHE 7 W 82R 5%



TE Part #160404-2  
TERM, WIRE PIN, PIDG, 12-10 AWG



TE Part #280609-2  
2P MOD 1 SHROUDED HEADER, ST,  
0.4 Au



TE Part #174778-2  
PL 110 REC 20-16 AWG 0.25 X 10.4  
PTPHBZ



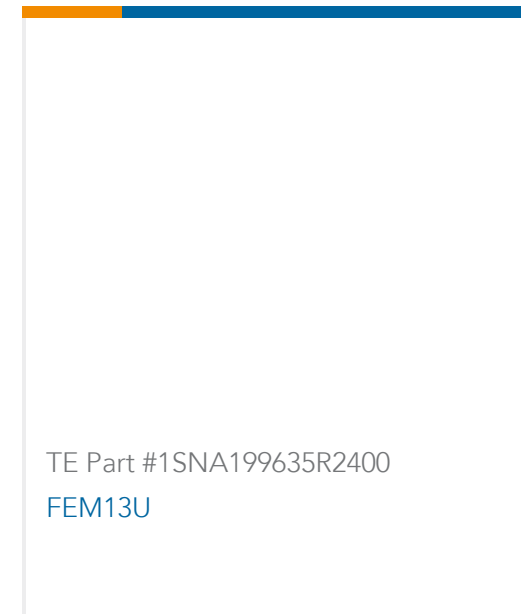
TE Part #1SNA115541R1100  
D2.5/6.DA



TE Part #1SNA199105R2200  
ML10/13.SN



TE Part #1SNA178033R2600  
BJD6



TE Part #1SNA199635R2400  
FEM13U



TE Part #1SNA168519R0000  
BJM6-5



TE Part #1SNA177652R0600  
BJS5-20

## Documents

### CAD Files

3D PDF

3D

Customer View Model

[ENG\\_CVM\\_CVM\\_1SNA199095R1300\\_A.2d\\_dxf.zip](#)

English

Customer View Model

[ENG\\_CVM\\_CVM\\_1SNA199095R1300\\_A.3d\\_igs.zip](#)

English

Customer View Model

[ENG\\_CVM\\_CVM\\_1SNA199095R1300\\_A.3d\\_stp.zip](#)

English

By downloading the CAD file I accept and agree to the [Terms and Conditions](#) of use.

### Datasheets & Catalog Pages

[Catalogue - ENTRELEC terminal-blocks-sna-series](#)

English

[ML10/13.SF](#)

English

1SNA199095R1300

Modular Terminal Blocks, Fuse, Screw Clamp Terminal Block, Black, Product Spacing .  
511 in [13 mm], 2 Position, Screw Terminal, Signal, ENTRELEC SNA



## ENTRELEC Terminal Blocks Catalogue (RUS)