

TECHNICAL DATA

Product type _____ XLR _____
Product NO. _____ MK3F2CB _____

MK3F2C-B Product Appearance



Product features

- All metal housing offers best overall protection
- Duplex ground contact
- Optional connection to easily join pin 1 to chassis ground
- Standard D mounting dimensions

Technical parameters**1. Electrical parameters**

Capacitance between contacts	$\leq 4\text{pF}$
Contact resistance	$\leq 5\text{m}\Omega$
Dielectric strength	1500V DC
Insulation resistance	$> 10\text{G}\Omega$ (initial)
Rated current per contact	16A
Rated voltage	$< 50\text{V}$

2. Mechanical parameters

Insertion force	$\leq 20\text{N}$
Withdrawal force	$\leq 20\text{N}$
Service life	> 1000
Locking device	Latch lock
Chassis shape	D

3. Material and environmental parameters

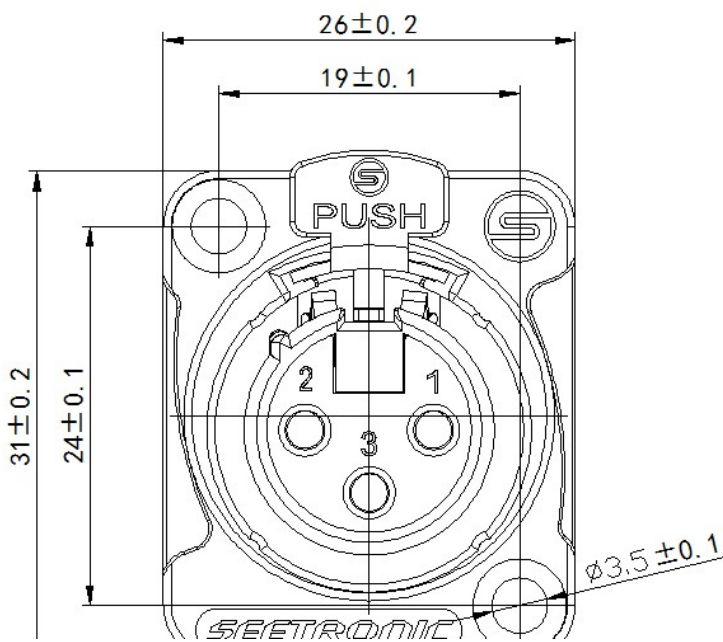
Contact plating	Sn Plated
Contacts	Copper alloy
Insert	Polyamide (PA66 +30%GF)
Shell	Zinc diecast (ZnAl4Cu1)
Shell plating	Black coating
Flame-retardant grade	UL94 V0

Protection class	IP 40
Solderability	Complies with IEC 68-2-20
Temperature range	-30°C to +80°C

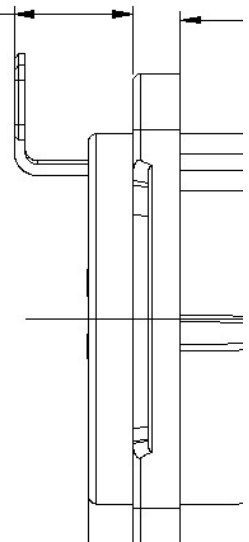
4. Standard

Standard	IEC 61076-2-103
----------	-----------------

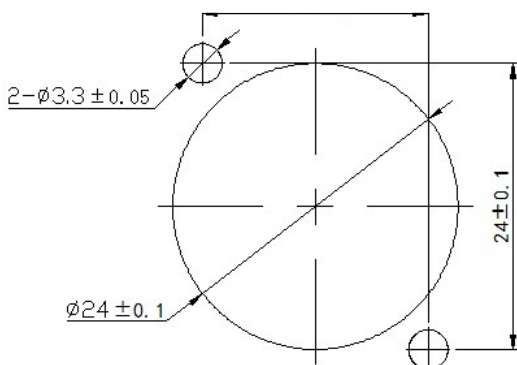
Product Profile)



7.5 (自由状态)
按压行程2.4mm



安装尺寸



: mm

(Installation instructions)

(Panel mount) : (Front and rear)