

Part number

MZ7P 15LS225



Surface mounting housing, CZ7 series, with 1 lever, M25 x 2 cable entry, size "49.16", with metal cover

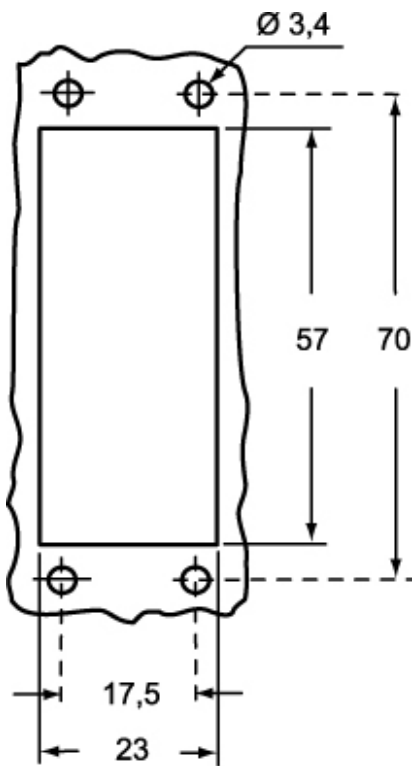
| Product description | | Material properties | |
|-----------------------------------------------|-----------------------------|----------------------------------|------------------------|
| Product type | Surface mounting housing | Other materials | Lever: Stainless steel |
| Series | CZ7 | Colour | RAL 7040 grey |
| Closing type | With 1 lever | RoHs conformity | Compliant |
| Size | Size 49.16 | China RoHs - EFUP | E |
| Cable entry | With cable entry M25 x 2 | REACH SVHC substances | No |
| Specification | With metal cover | Approvals / Standards | |
| Technical data | | UL | ECBT2 |
| IP degree of protection | IP66 / IP67 / IP69 | cUL | ECBT8 |
| Further technical details | | General ordering information | |
| Weight | 216,00 g | EAN13 code | 8015747238663 |
| Operating temperature range (min, max) | -40°C...+125°C | eCl@ss 8.1 | 27440202 |
| | | ETIM 7.0 | EC000437 |
| | | Packaging Information | |
| | | Packaging length | 190,00 mm |
| | | Packaging height | 125,00 mm |
| | | Packaging width | 330,00 mm |
| | | Packaging weight | 2,24 kg |
| | | Packaging volume | 7,84 dm ³ |
| | | Packaging description | Carton box |
| | | Packaging quantity | 10 Pcs |
| | | Packaging EAN code | 8015747238687 |
| | | Sub-packaging weight | 1,12 kg |
| | | Sub-packaging description | Plastic packaging |
| | | Sub-packaging quantity | 5 Pcs |
| | | Sub-packaging EAN barcode | 8015747238694 |

Part number

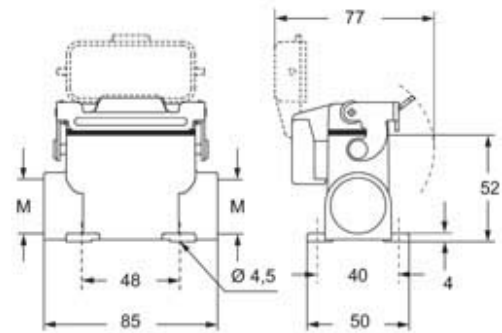
MZ7P 15LS225



Catalogue drawings



Catalogue drawings



Notes

Dimensions shown in mm are not binding and may be changed without notice.